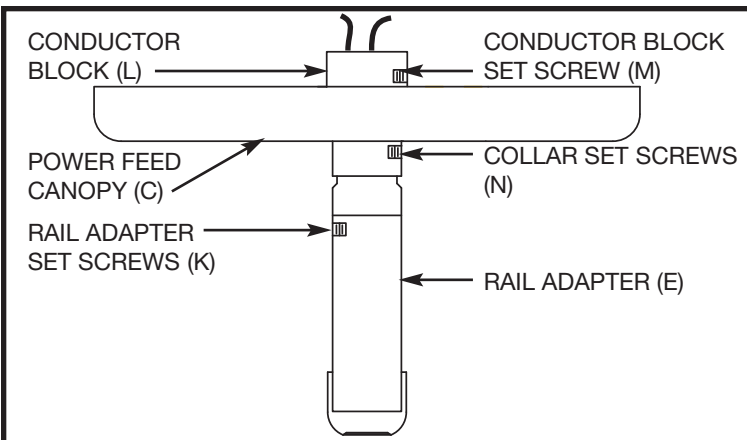


POWER FEED CANOPY

IMPORTANT SAFETY INSTRUCTIONS

- Be sure the electricity to the system you are working on is turned off; either the fuse removed or the circuit breaker set at off.
- If you are unclear as to how to proceed, contact a qualified electrician.
- Use of other manufacturers components will void warranty, listing, and create a potential safety hazard.
- This product is suitable for indoor dry locations only.
- This product must be used with the RTx low voltage lighting series only.
- Save these instructions.

NOTE: The low voltage wires from the remote transformer must be present in electrical box. Follow the instruction provided with the remote transformer prior to these steps.

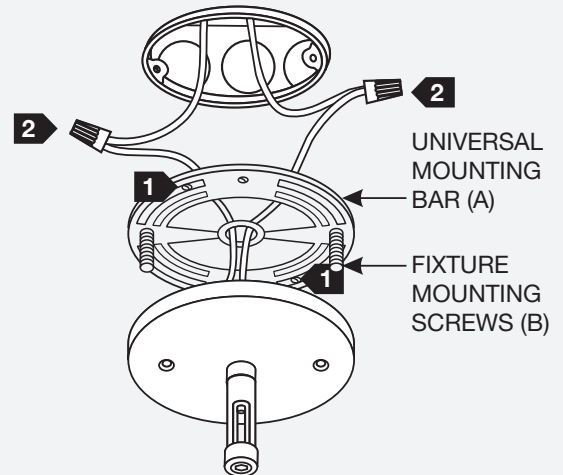


USING AN OPTIONAL EXTENDED STEM WITH THE #95310 POWER FEED

- 1 Loosen rail adapter set screws (K) with supplied allen wrench. Be careful not to completely remove rail adapter set screws (K).
- 2 Remove rail adapter (E) and attached conductor from power feed stem.
- 3 Loosen collar set screws (N) with supplied allen wrench. Remove collar from stem.
- 4 Loosen conductor block set screw (M) from conductor block (L). Remove conductor block (L) from stem.
- 5 Place optional stem into conductor block (L) and tighten conductor block set screw (M) with allen wrench to secure.
- 6 Place clear insulating disc and power feed canopy (C) (make sure hollow side of clear insulating disc faces canopy (C)) to conductor block (L). Secure by placing canopy to clear insulating disc. Next place collar to canopy and tighten collar set screws (N) with allen wrench.
- 7 Feed housing conductor through stem. Place rail adapter (E) onto stem. Tighten rail adapter set screws (K) with allen wrench.

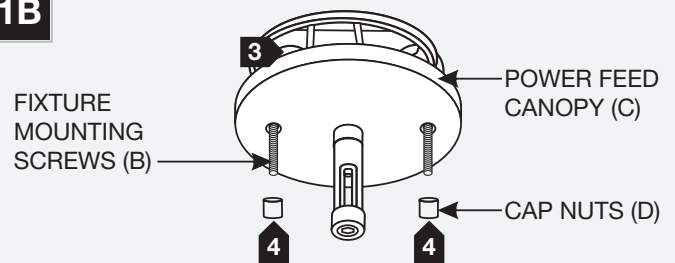
Install the Power Feed Canopy

1A



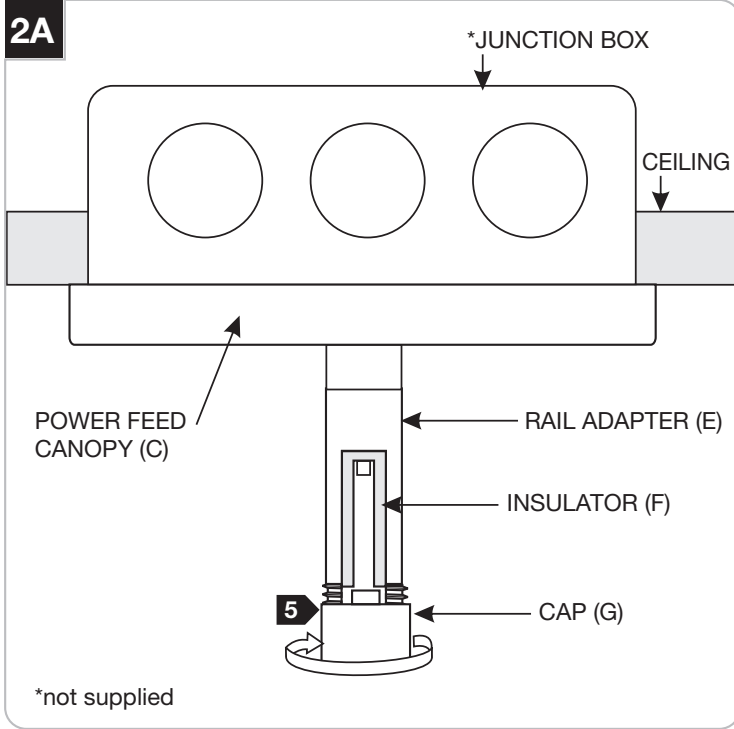
- 1 Secure universal mounting bar (A) to outlet box using outlet box screws (not supplied).
- 2 Connect the low voltage wires to the power feed canopy wires with the wire nuts.

1B



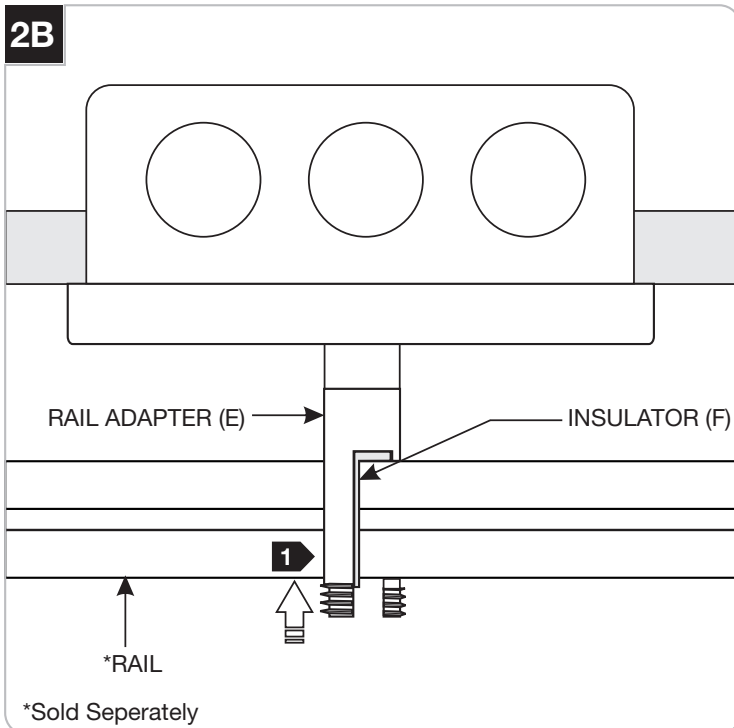
- 3 Place all wire nut connections properly into the electrical box.
- 4 Place power feed canopy (C) over fixture mounting screws (B) and thread cap nuts (D) onto fixture mounting screws (B) to secure canopy (C) flush to the ceiling.

Mount the Rail Directly to the Power Feed Canopy

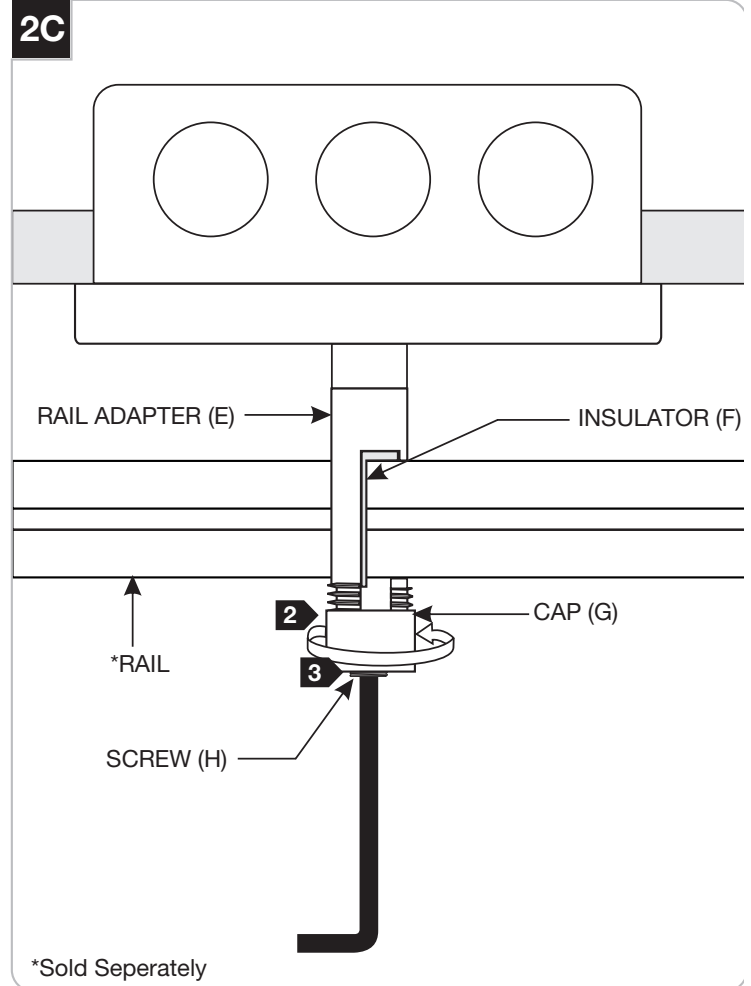


5 Remove the cap (G) from the rail adapter (E).

6 **DO NOT REMOVE** the insulator (F) unless the rail adapter (E) is going to be mounted onto a rail join connector (See special installation on page 3).



1 Push the rail into the rail adapter (E) in the middle of insulator (F).

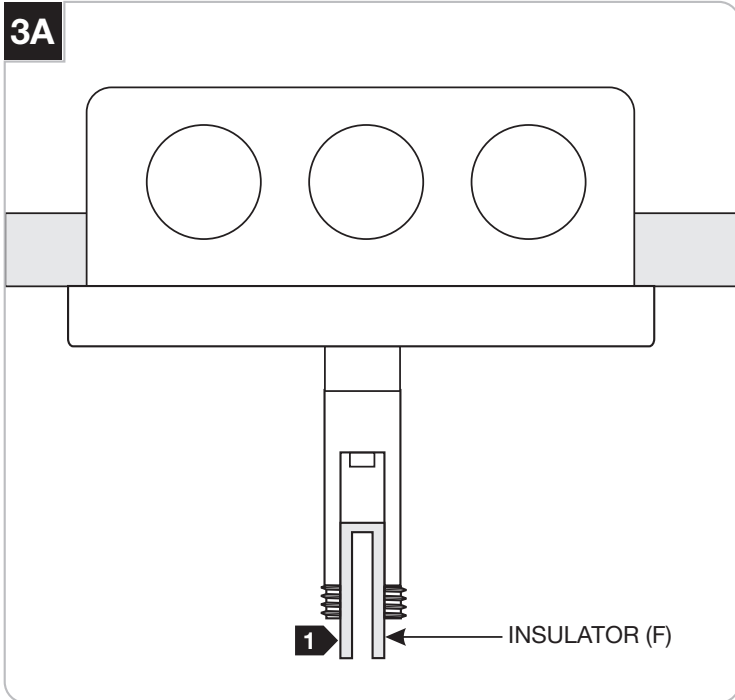


2 Replace and tighten the cap (G) to the rail adapter (E).

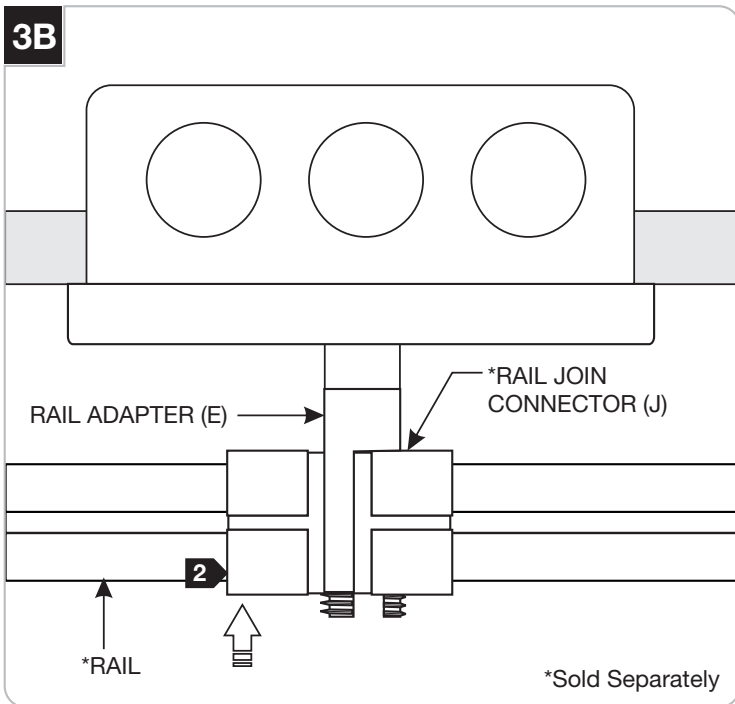
NOTE: In case of cross threading, unscrew the cap (G) from the rail adapter (E) and repeat step 2.

3 To prevent arcing, tighten the screw (H) on bottom of the cap (G) with the supplied Allen wrench.

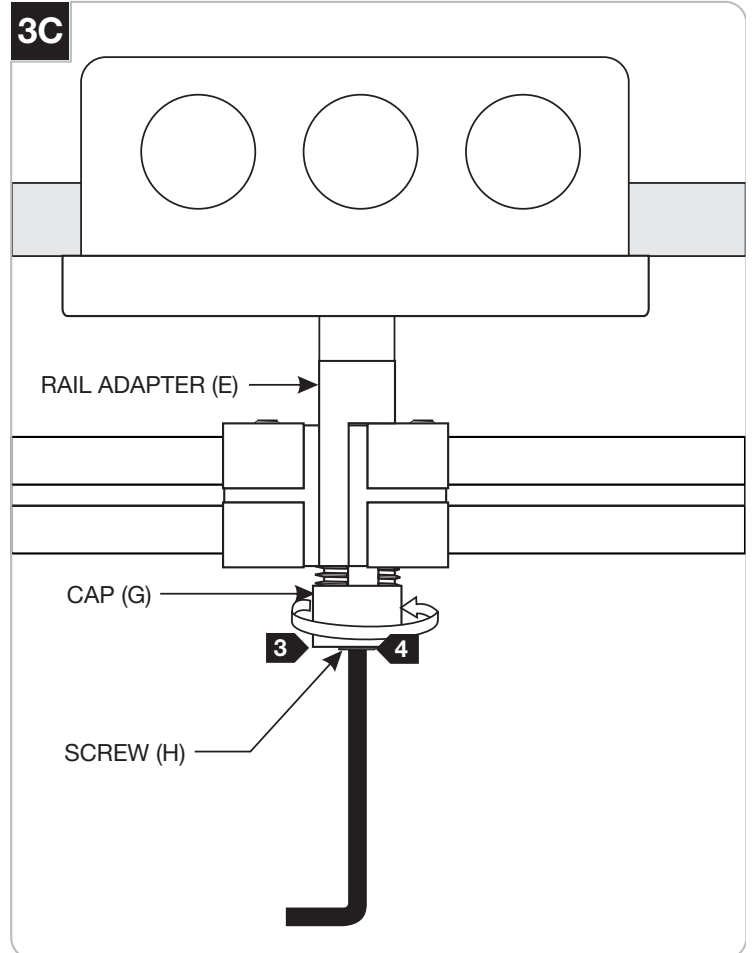
SPECIAL INSTALLATION: Mount a Rail Join Connector to the Power Feed Canopy



1 Remove the insulator (F).



2 Push the rail join connector (J) into the rail adapter (E).



3 Replace and tighten the cap (G) to the rail adapter (E).

NOTE: In case of cross threading, unscrew the cap (G) from the housing (E) and repeat step 3.

4 To prevent arcing, tighten the screw (H) on bottom of the cap (G) with the supplied Allen wrench.