

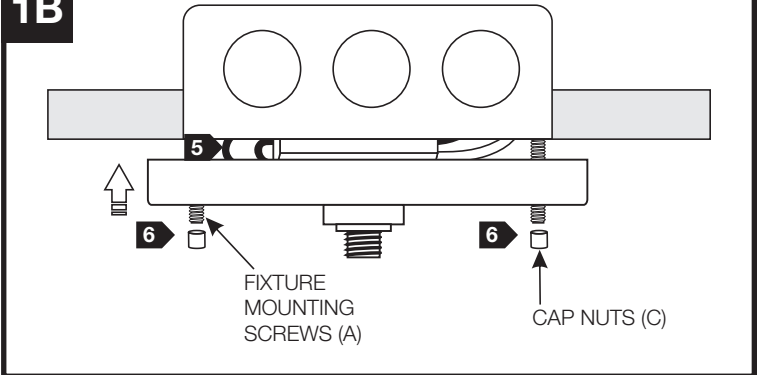
MONOPOINT CANOPY

IMPORTANT SAFETY INSTRUCTIONS

To reduce the risk of fire, electrical shock, exposure to excessive UV radiation, or injury to person:

- Be sure the electricity to the circuit you are working on is turned off; either the fuse removed or the circuit breaker set at off.
- Use this fixture indoors only.
- Do not look directly at the lighted lamp.
- Do not remain in light if skin feels warm.
- Risk of fire: Use only the type of lamp and maximum wattage indicated on the transformer label.
- Never cover the halogen lamp and never place flammable material close to your fixture.
- This product is intended for use with the RTx low voltage series by Sea Gull Lighting only.
- Never turn the fixture on and off by connecting and disconnecting the halogen lamp.
- Do not touch the fixture shades or lamp shield while the fixture is on. These surfaces may be HOT.
- Use of other manufacturers components will void warranty, listing and create a potential safety hazard.
- Save these instructions.

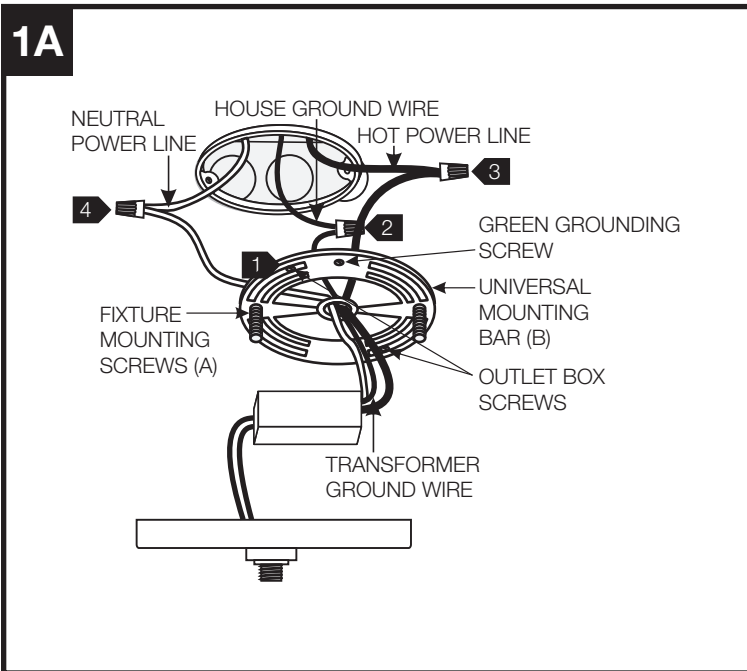
1B



- 5 Place the transformer, wires, and all wire nut connections properly into the electrical box.
- 6 Mount the canopy to the electrical box by placing canopy over fixture mounting screws (A) and threading cap nuts (C) onto fixture mounting screws (A). Continue turning cap nuts (C) until canopy is secured flush to the ceiling.

INSTALL THE MONOPOINT CANOPY

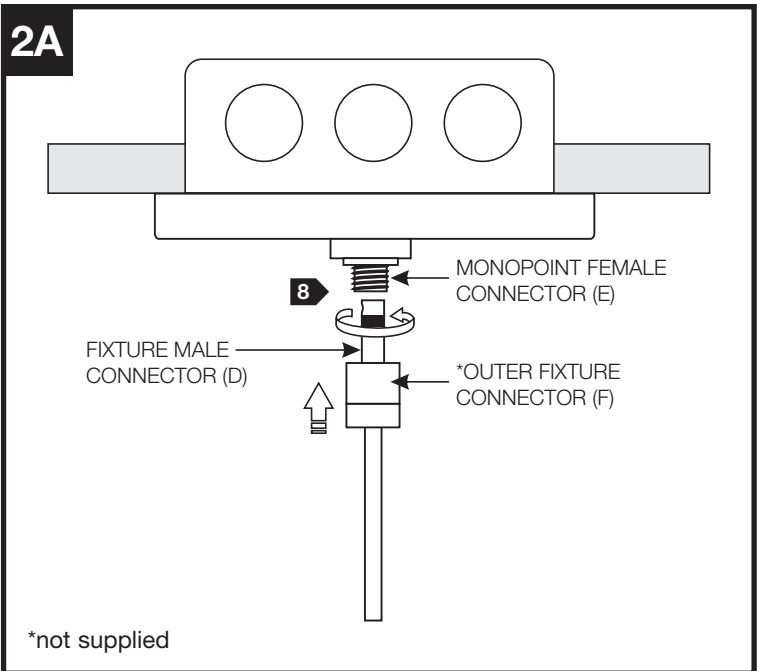
1A



- 1 Secure universal mounting bar (B) to electrical box using supplied outlet box screws.
- 2 Wrap the transformer green wire and the supply ground wire around the green grounding screw on the universal mounting bar (B). Tighten the green grounding screw to secure.
- 3 Connect the black 120v transformer input wire to the hot 120v power line wire with a wire nut.
- 4 Connect the white 120v transformer input wire to the neutral 120v power line wire with a wire nut.

CONNECT THE FIXTURE TO MONOPOINT CANOPY

2A



- 7 Refer to the fixture instruction sheets for instructions on removing the fixture rail adapter.
- 8 Push the fixture male connector (D) all the way into the monopoint female connector (E). Thread the outer fixture connector (F) tightly to the monopoint female connector (E).