



Job Name:

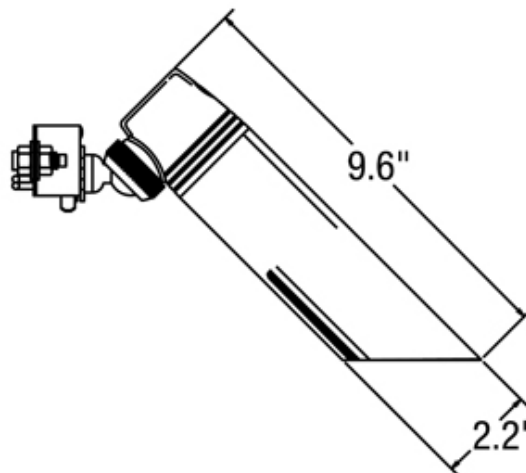
Job Type:

Comments:

Quantity:

Product Number: 91112-147

Specification Images



91112-147 - Lunar Down Light, 12v

Collections: Meridian (Primary)
 Lunar

Cast Brass Construction
 Pre-Greased Beryllium Copper Socket
 Cast Brass Knuckle, 360 Degree Orbital Mount
 Anti-Moisture Migration Connections
 Stratosphere Bracket Mount: Includes Stainless Steel Standoff Screws
 Includes Full Lens Kit, with Hex Louver
 Uniquely designed for moon lighting, down lighting, and directional lighting when mounting in trees. Its patented Stratosphere Bracket, and stainless steel stand off screw system allows for tree growth. The recessed MRC-16 lamp helps to minimize any glare when installing the lock and load shroud parallel to the ground. This fixture also incorporates the revolutionary ball joint orbital mount system allowing 360° rotation and 100% finite adjustment for aiming.
 Use of other manufacturers' components and power management system materials will void warranty, listing, and present a possible safety hazard. Please use caution when specifying lamps by selecting the proper voltage, base type, and wattage lamp when designing and installing any lighting system.

UPC #: 785652146602

Product Type: Landscape Light

Finish: Weathered Brass (147)

Features:

Designer Lenses Included 360 Orbital Rotation
 Lifetime Warranty

Dimensions:

Diameter: 2 1/4" **Wire:** 300" (color/Brown)
Length: 6 5/8"

Bulbs:

1 - GU5.3 Bi-Pin Halogen MRC16 35w max 12v - included

Material List:

1 Construction - Cast Brass - Weathered Brass

Safety Listing:

cETL Listed for Wet Locations

Instruction Sheets

English (Lunar)

Replacement Bulb Data:

Product #	Type	Base	Watts	Watts Consumed	Volts	Hours	Lumens	Temp (°K)	CRI
97073	Halogen MRC16	GX5.3 Bi-Pin	35	35	12v	5000	36	3050	

Shipping Information

Package Type	Quantity	UPC	Length	Width	Height	Cube	Weight	UPS Ship	Label
--------------	----------	-----	--------	-------	--------	------	--------	----------	-------

Individual	1	785652146602						Yes
------------	---	--------------	--	--	--	--	--	-----