

# INSTALLATION AND SAFETY INSTRUCTIONS

## FOR YOUR SAFETY

**WARNING: BE SURE THE ELECTRICITY TO THE WIRES YOU ARE WORKING ON IS SHUT OFF. EITHER THE FUSE REMOVED OR THE CIRCUIT BREAKER OFF .**

## GENERAL

You don't need special tools to install this fixture. Be sure to follow the steps in the order given. Under no circumstances should a fixture be hung on house electrical wires, nor should a swag type fixture be installed on a ceiling which contains a radiant type heating system. Read instructions carefully. **If you are unclear as to how to proceed, consult a qualified electrician.**

**NOTE: Proper wiring is essential for the safe operation of this fixture.**

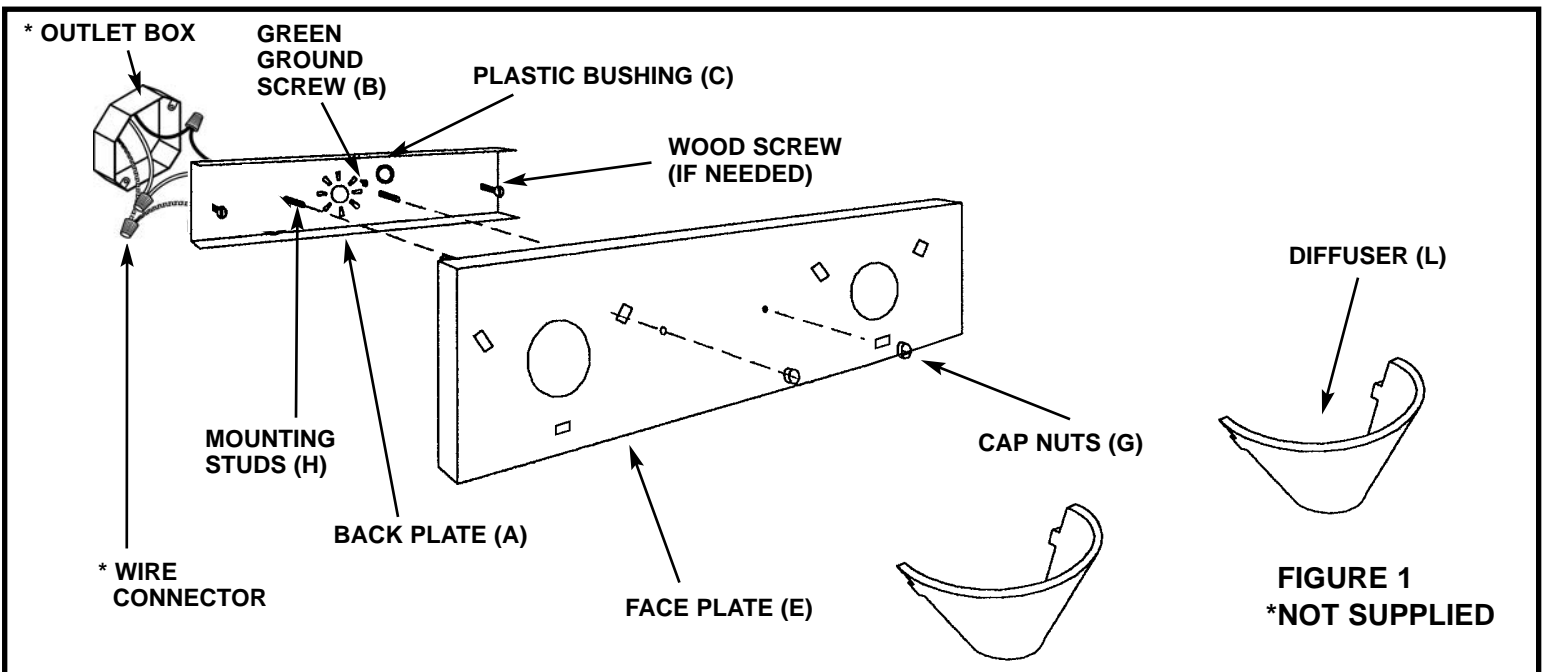
## ASSEMBLY

Carefully remove the fixture from the carton and check that all parts are included, as shown in Figure 1. Be careful not to misplace any of the screws or parts which are needed to install this fixture.

### STEP 1:

Peel protective coating off as follows: (if applicable). For easier removal, peel coating off at an angle holding it close to the fixture. Peel sides off before peeling the front faces.

**NOTE: If mounting studs (H) are located off-center on backplate (A); be sure to mount backplate (A) with mounting studs (H) on top.**



**NOTE: FOR FIXTURES PROVIDED WITH 75° C OR 90° C SUPPLY WIRE WARNING ONLY-(THESE WARNINGS ARE PROVIDED ON THE U.L. LABEL AND ON THE FIXTURE CARTON): RISK OF FIRE. MOST DWELLINGS BUILT BEFORE 1985 HAVE SUPPLY WIRE RATED 60° C. CONSULT A QUALIFIED ELECTRICIAN BEFORE INSTALLING.**

**NOTE:  
MOUNT DIFFUSER SO THAT IT IS  
OPEN ON TOP (SEE FIGURE 1)**



## Installation And Safety Instruction HC-566 100101

Line art shown may not exactly match the fixture enclosed. However, the installation instructions do apply to this fixture. Fill In Item Number On Carton And File This Sheet For Fixture Reference. ITEM# \_\_\_\_\_

## INSTALLATION

HC-566

### STEP 1:

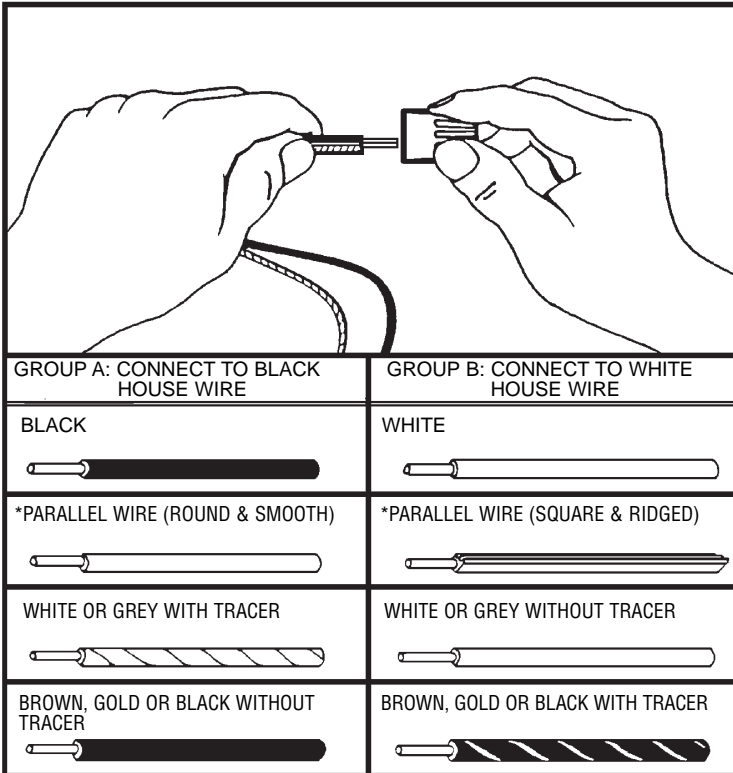
Punch out appropriate holes in backplate [A], if applicable, to correspond with holes in outlet box.

### STEP 2:

Push socket wires thru plastic bushing (C).

### STEP 3:

A. Take note of the color of the wire(S) on your fixture. Identify which group your fixture wire(S) falls into and connect the wires according to the directions below:



\*NOTE: When parallel wire is used, the tracer wire is square shaped or ridged, and the less tracer wire is round in shape or smooth. (Seen best when viewed from wire end.) To separate wires, grasp the ends of each wire and pull apart.

**B.** Take your fixture wire(S) from group A and place evenly against the black wire from the outlet box. **Do Not** twist wires together before using wire connectors.

**C.** Fit a wire connector (not supplied) over the wires and screw the connector clockwise until you feel a firmness.

**D.** Try gently to pull the connector off the wires. If you can pull the connector off, carefully re-do steps B and C, as above, and check again for a firm connection.

**E.** Connect the fixture wire from group B to the white wire from the outlet box in the same manner.

### STEP 4:

**GROUNDING INSTRUCTIONS:** The green grounding screw (B) is to be inserted into the hole with two raised dimples provided on the back plate (A). Wrap the ground wire from the fixture (if supplied) and the ground wire from the outlet box (bare metal or green insulated wire) around the green grounding screw (B) on the back plate (A).

NOTE: Underwriters Laboratories (U.L.) does not require all fixtures to have ground wires. These fixtures still meet all U.L. specifications. The listing mark of Underwriters on the product identifies products manufactured under its listing and Follow-Up Service Programs.

**NEVER CONNECT GROUND WIRE TO BLACK OR WHITE POWER SUPPLY WIRES.**

## FINAL ASSEMBLY

**Make sure no bare wires can be seen outside wire connectors.**

### STEP 1:

Position faceplate (E) over sockets (J). Note: If backplate (A) is supplied with mounting studs (H), position faceplate over studs and secure in place with cap nuts (G).

### STEP 2:

Install lamps.

### STEP 3:

Insert the bottom tab first, then the side tabs from the diffuser (L) into faceplate (E).

## CLEANING

To clean, wipe fixture with a soft cloth. Clean glass with a mild soap. Do not use abrasive materials such as scouring pads or powders, steel wool or abrasive paper.

## ORDERING PARTS

Keep this sheet for future reference, and in case you need to order replacement parts. All parts for this fixture can be ordered from place of purchase. Be sure to use exact wording from illustration when ordering parts.