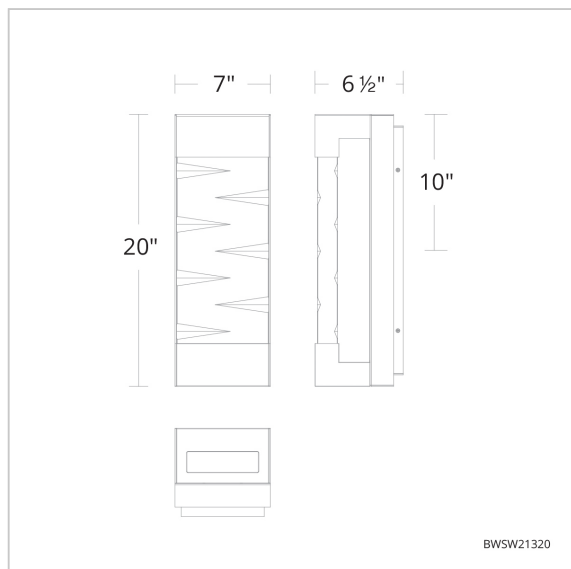


# Labrynth

## BWSW21320



### LINE DRAWING



**Project:**

**Location:**

**Fixture Type:**

**Catalog Number:**

### DESCRIPTION

A labyrinth of sparkling Clear Optic Crystal combines the uncomplicated appeal of simple cuts with the playfulness of mirrored reflections.

### FEATURES

- Specifically formulated using powder coat to resist UV and coastal environmental conditions, providing a long-lasting finish with premium 316 Marine mirror grade stainless steel plate and hardware
- Built in color temperature adjustability. Switch from 3000K/3500K/4000K. Switch may be installed in junction box.
- Driver concealed within the canopy

### CRYSTAL OPTIONS



Optic Haze  
Crystal  
(OH)

### FINISH OPTIONS



Black  
(-BK)

### SPECIFICATIONS

<b>Light Source</b>	LED
<b>CRI</b>	90
<b>Dimming</b>	ELV,0-10V, Triac
<b>Standards</b>	ETL/cETL, Title 24

Model	Crystal	Finish	Size	CCT	Voltage	Wattage	Weight	LED Lumens	Delivered Lumens
BWSW21320	OH	- BK	20"	3000K/3500K/ 4000K	120-277 VAC	30W	10.9lbs	1786	Up To 1197

**Example: BWSW21320-BK**