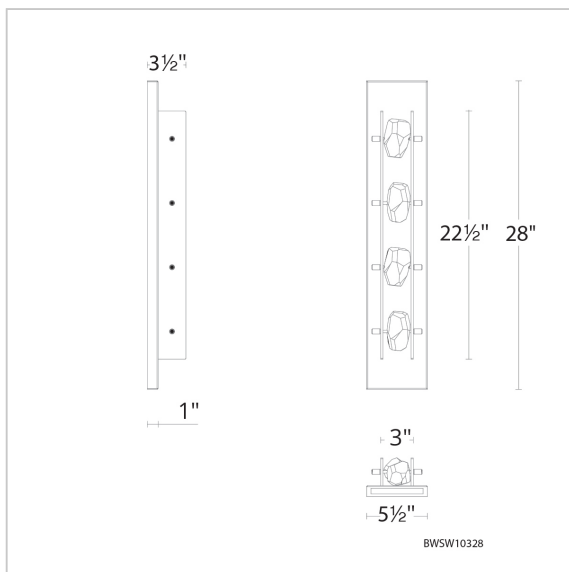


Strata

BWSW10328



LINE DRAWING



Project:

Location:

Fixture Type:

Catalog Number:

DESCRIPTION

Mixed materials devise a textured aesthetic. A single brilliant Optic Haze Crystal pendant suspended from leather strapping and chrome reflects light in all directions. The sparkle is enhanced by a crystal-encrusted canopy.

FEATURES

- Optic Haze™, made of natural quartz, has unique variations in luster, hue, patterning and texture inherent to this material. When illuminated, the dimension of the crystal is beautifully accented.
- Specifically formulated using powder coat to resist UV and coastal environmental conditions, providing a long-lasting finish with premium 316 marine grade stainless steel hardware
- Built in color temperature adjustability. Switch from 3000K/3500K/4000K. Switch may be installed in junction box.
- Ambient and down illumination
- Can be mounted on wall vertically or upside down
- Driver concealed within the canopy

CRYSTAL OPTIONS



Optic Haze
Crystal
(OH)

FINISH OPTIONS



Black
(-BK)

SPECIFICATIONS

Light Source	LED
CRI	90
Dimming	ELV, Triac
Standards	ETL/cETL

REPLACEMENT PARTS

- RPL-GLA-10328-A - Replacement "A" Hazy Crystal f
RPL-GLA-10328-B - Replacement "B" Hazy Crystal f

Model	Crystal	Finish	Size	CCT	Voltage	Wattage	Weight	LED Lumens	Delivered Lumens
BWSW10328	OH	- BK	28"	3000K/3500K/ 4000K	120/277 VAC	14W	11.3lbs	339	Up To 271

Example: BWSW10328-BK