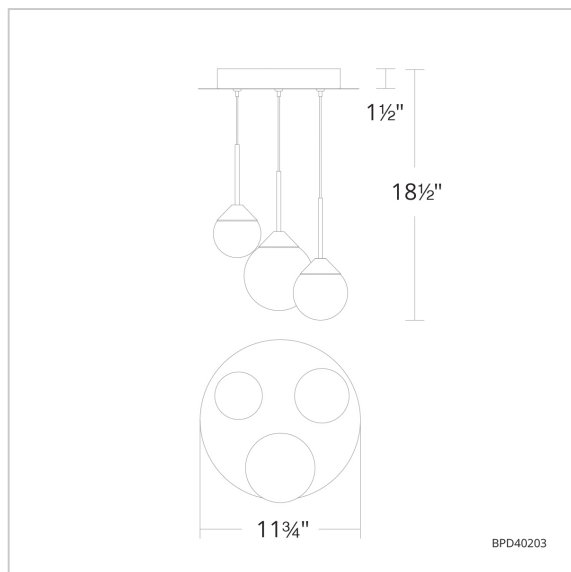


Quest

BPD40203



LINE DRAWING



Project:

Location:

Fixture Type:

Catalog Number:

DESCRIPTION

Crystal ball patterned to offer enhanced illumination. The Schonbek Optic Haze Crystal spheres project omnidirectional high quality LED illumination for an astonishing, graceful aesthetic.

FEATURES

- Optic Haze™, made of natural quartz, has unique variations in luster, hue, patterning and texture inherent to this material. When illuminated, the dimension of the crystal is beautifully accented.
- Built in color temperature adjustability. Switch from 3000K/3500K/4000K. Switch may be installed in junction box.
- Thin powered aircraft cables provide an ultra clean look for adjustable suspension height.
- Can be mounted on a sloped ceiling.
- Driver concealed within the canopy

CRYSTAL OPTIONS



Optic Haze
Crystal
(OH)

FINISH OPTIONS



Aged Brass
(-AB)



Black
(-BK)

SPECIFICATIONS

Light Source	LED
CRI	90
Dimming	ELV,0-10V, Triac
Standards	ETL/cETL, Title 24

REPLACEMENT PARTS

RPL-GLA-40203 - 3" Replacement Crystal
RPL-GLA-40204 - 4" Replacement Crystal
RPL-GLA-40205 - 5" Replacement Crystal

Model	Crystal	Finish	# of Lights	CCT	Voltage	Wattage	Weight	LED Lumens	Delivered Lumens
BPD40203	OH	- AB - BK	3 Lights	3000K/3500K/ 4000K	120-277 VAC	12W	15lbs	1076	Up To 1053

Example: BPD40203-AB