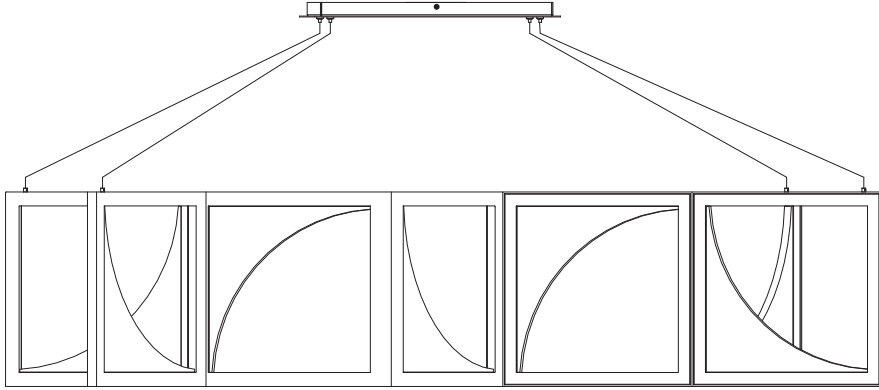


ASSEMBLY & INSTALLATION INSTRUCTIONS

Fixture
BPD94261

SCHONBEK
Beyond



WARNING

IMPORTANT: NEVER attempt any work without shutting off the electricity.

- Read all instructions before installing.
- System is intended for installation in accordance with the National Electrical Code (NEC), other applicable installation code(s) and local regulations by a licensed electrician familiar with the operation of the product and the hazards involved.
- Go to the main fuse box, or circuit breaker panel. Place the main power switch in the "OFF" position and unscrew the fuse (s) or switch "OFF" the circuit breaker switch (es) that control the power to the fixture (s) or room that you are working on.
- Place the wall switch in the "OFF" position.
- FAILURE TO INSTALL THIS FIXTURE IN ACCORDANCE WITH THESE INSTRUCTIONS MAY RESULT IN SERIOUS PERSONAL INJURY OR DEATH AND/OR PROPERTY DAMAGE.

CAUTION

- All parts must be used as indicated in these instructions. Do not substitute any parts, leave parts out, or use any parts that are worn out or broken. Failure to follow this instruction could invalidate the ETL/CETL Listing of this fixture.
- When handling the fixture, do not apply pressure to the LEDs or bulbs. Hold the fixture by the base only.
- Do not exceed maximum wattage noted on the fixture. Use only the recommended LED or standard lamps with the fixture.

ADVERTENCIA

IMPORTANTE: NUNCA trate de hacer ningún trabajo sin desconectar la electricidad.

- Lea todas las instrucciones antes de instalar.
- El sistema tiene por objeto la instalación de acuerdo con el Código Eléctrico Nacional, y otros códigos de instalación y reglamentos locales aplicables, por parte de un electricista autorizado que esté familiarizado con el funcionamiento del producto y los peligros involucrados.
- Vaya a la caja de fusibles o al panel de disyuntores principal. Ponga el interruptor principal de alimentación en la posición de "APAGADO", y desensrosque los fusibles o "DESCONECTE" los disyuntores que controlen la alimentación a los dispositivos o la habitación en los que usted está trabajando.
- Ponga el interruptor de pared en la posición de "APAGADO".
- EL HECHO DE NO INSTALAR ESTE DISPOSITIVO DE ACUERDO CON ESTAS INSTRUCCIONES PODRÍA RESULTAR EN UNA LESIÓN PERSONAL GRAVE O LA MUERTE, Y/O DAÑOS A LA PROPIEDAD.

PRECAUCIÓN

- Todas las piezas deben usarse como se indica en estas instrucciones. No sustituya ninguna pieza, no deje piezas fuera, ni utilice ninguna pieza que esté desgastada ni rota. El hecho de no seguir estas instrucciones podría invalidar la certificación ETL/CETL de este dispositivo.
- Al manipular el dispositivo, no aplique presión a los LED ni las bombillas. Sujete el dispositivo solo por la base.
- No exceda la potencia máxima indicada en el dispositivo. Use solo los LED o las bombillas estándar recomendados con el dispositivo.

ADVERTENCIA

IMPORTANTE: NUNCA trate de hacer ningún trabajo sin desconectar la electricidad.

- IMPORTANT: Ne JAMAIS entreprendre des travaux sans couper l'électricité.
- Lire toutes les instructions avant l'installation.
- Ce système est conçu pour être installé conformément au Code national de l'électricité ou d'autres codes d'installation et réglementations locales en vigueur par un électricien agréé connaissant le fonctionnement de ce produit et les dangers qu'il comporte.
- Aller à la boîte à fusibles ou panneau principal de disjoncteurs. Placer l'interrupteur d'alimentation principal sur « ARRÊT » et dévisser le ou les fusibles ou mettre sur « ARRÊT » le ou les disjoncteurs qui contrôlent l'alimentation du ou des appareils électriques ou de la pièce dans laquelle vous travaillez.
- Mettre l'interrupteur mural sur « ARRÊT ».
- NÉGLIGER D'INSTALLER CET APPAREIL CONFORMÉMENT À CES INSTRUCTIONS RISQUE D'ENTRAÎNER DE GRAVES BLESSURES PERSONNELLES OU LA MORT AINSI QUE DES DOMMAGES MATÉRIELS.
- MISE EN GARDE
- Toutes les pièces doivent être utilisées comme indiqué dans ces instructions. Ne remplacer aucune pièce, ne laisser aucune pièce de côté ou n'utiliser aucune pièce usée ou cassée. Le non-respect de cette directive peut invalider l'homologation ETL/CETL de cet appareil.
- Lors de la manipulation de cet appareil, n'appliquer aucune pression sur les DEL ou les ampoules. Maintenir l'appareil par la base uniquement.
- Ne pas dépasser le nombre de watts maximum indiqué sur l'appareil. N'utiliser que les DEL ou ampoules standard recommandées dans cet appareil.

HARDWARE

A



Wire Connector
Qty: 4pcs+1 Extra

B



Canopy Screw
Qty: 1 Extra

C



Plastic Anchor
Qty: 2pcs+1 Extra

D



Anchor Screw
Qty: 2pcs+1 Extra

E



Wire Connector
Qty: 3pcs+1 Extra

SCHONBEK
Beyond

Schonbek, 61 Industrial Blvd, Plattsburgh, New York, 12901

Phone: 1-800-836-1892 | Fax: 518-563-4228 |

www.schonbek.com

ASSEMBLY & INSTALLATION INSTRUCTIONS

Fixture
BPD94261

SCHONBEK
Beyond

PREPARATION

1. Shut off the power at the circuit breaker and remove existing fixture, including the crossbar.
2. Carefully unpack your new fixture and lay out all the parts on a clear area. Be careful not to lose any small parts necessary for installation.
3. This installation requires at least two technicians to cooperate, otherwise it will lead to product damage and other problems.

MOUNTING THE FIXTURE (Fig. 1)

3. Remove the canopy screw (B) from the ceiling plate.
4. Set color temperature at this stage. The fixture can switch between three color temperatures (3000k, 3500k, 4000k), which can be adjusted to your preference using the 3CCT switch (Fig. 3) mounted in the canopy.
5. Drill holes in the wall aligned with the key holes located in the ceiling plate. Insert the plastic anchors (C).
6. Secure the ceiling plate to the junction box using the screws provided with the junction box. Fasten the ceiling plate to the wall with the plastic anchors using the anchor screws (D) provided.
 - (i) It is recommended to use only original junction box screws or replacements provided by junction box manufacturer.
 - (ii) The side of the ceiling plate marked "GND" must face out towards the installer.
7. Adjust the fixture wire length by pushing the cable gripper on the canopy and pulling the wire as desired. This installation requires at least two technicians A and B. First, estimate the installation height of the lamp, adjust the length of the suspension wire to reach the approximate position, and then adjust the line length accurately to balance the lamp. The specific steps are as follows:
 - (i) B holds the fixture, A shortens one wire rope to the target height, and adjusts the length of the other wire rope to make the fixture leave the ground. B Let go, and the two wire ropes will be straightened. At this time, adjust the length of the remaining two lifting ropes to the straightened state.
 - (ii) After confirming the left and right height of the fixture, B supports the fixture again, and A adjusts the high side hanging wire so that the two red marks in the figure are at the same height. At this time, the two hanging wires are slightly shortened so that they will be strained during normal hoisting.
 - (iii) B holds the lamp body and keeps the fixture horizontal. At this time, it is necessary to ensure that the two lines on the high side are tensioned under force. A adjusts the steel cable on the low side to be straightened, and at the same time, adjusts the suspension wire on this side to be straightened. B slightly lifts the fixture so that the high side line is loose and free of force. At this time, A shortens the two low side lines by 1 cm, and B relaxes.
 - (iv) Repeat step 3, fine tune the suspension wire, and finally keep the fixture horizontal.

- NOTE:** a) Before securing the canopy in place, it is recommended to retract or extend the wire within the canopy to a desirable length.
- b) Due to limited room within the canopy, shorten excess wires as necessary to make the installation easier. Make sure to identify and label all the wiring properly before any trimming/shortening. (Fig. 3)
- c) Please ensure that the hanging height (the distance between the bottom of the fixture and the ceiling) is not less than 44" (Fig.4).

CONNECTING THE WIRES (Fig. 2)

8. Connect the driver's output wires to fixture and 3CCT switch as shown in Fig. 3 using wire connectors (A). Note wire colors carefully. Make sure that all wire connectors are secured, then tuck them into the canopy.
9. Attach the safety cable to the bracket on the ceiling plate to temporarily hang the fixture in place and aid in wiring.
10. Connect the driver's input wires to junction box wires as shown in Fig. 2 using wire connectors (E) provided. Ensure wire connectors are secure. Connect the fixture's ground wire to the ground in the junction box; this will be either a green wire or a bare copper wire. After fixture is wired to house wires, tuck wires carefully inside the junction box.
11. If using a dimmer with this fixture, wire dimmer connections at this stage per section titled "(OPTIONAL) DIMMER WIRING."

COMPLETING THE INSTALLATION

12. Secure the fixture to the ceiling plate using the canopy screw (B).

(OPTIONAL) DIMMER WIRING (Fig. 3)

- This fixture features electronic low voltage (ELV or TRAC) or 0-10V dimming capabilities. See notes below for specific information on dimmer wiring.
- To utilize ELV or TRAC dimming: use wires black (live), white (neutral) and house green wire or bare copper wire (ground). Do not use dimmer wires on driver for ELV or TRAC dimming.
- To utilize 0-10V dimming: use wires purple (dim+), Pink or gray (dim-) from driver and connect to corresponding wires in junction box.
- NOTE: Make sure to connect 0-10V prior to power-up the fixture in order for the 0-10V dimming to function properly.

ASSEMBLY & INSTALLATION INSTRUCTIONS

Fixture
BPD94261

SCHONBEK
Beyond

Fig. 1

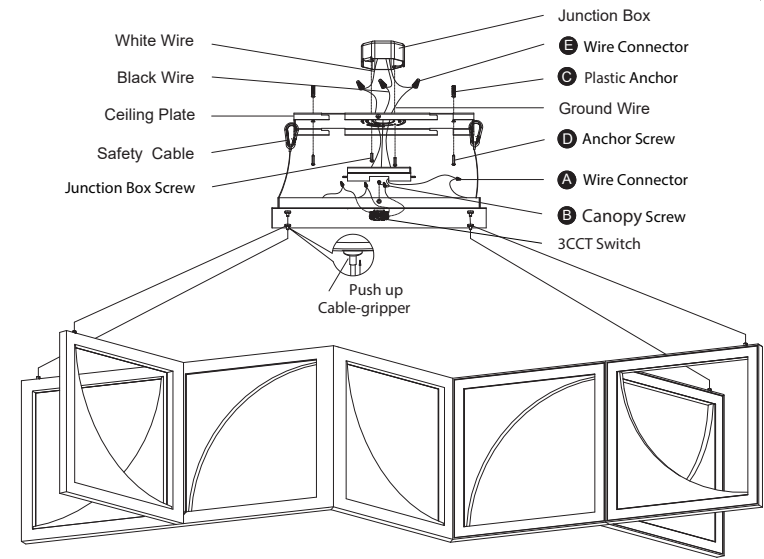


Fig. 2 Wiring

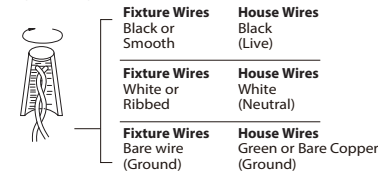


Fig. 3 Switch

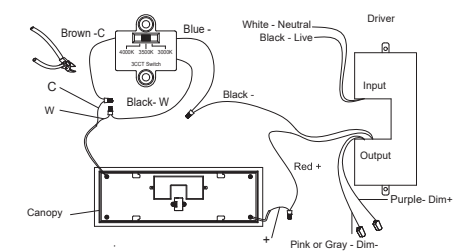
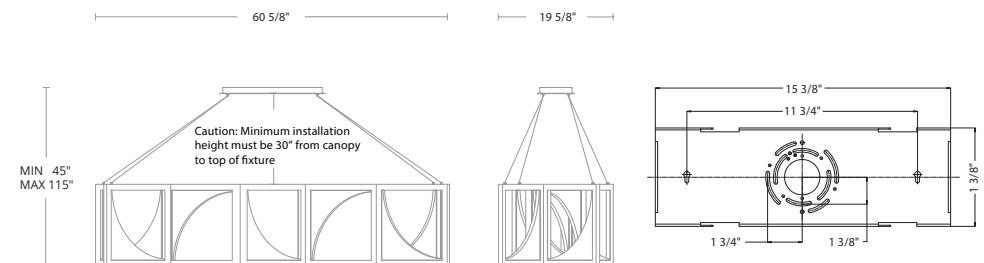


Fig. 4 Line Drawing



BPD94261 Ceiling PLATE