

# MARTINI

BPD20203

SCHONBEK  
*Beyond*



Project:

Location:

Fixture Type:

Catalog Number:

#### AVAILABLE TRIM



O: Optic Crystal

OH: Optic Haze

#### AVAILABLE FINISHES

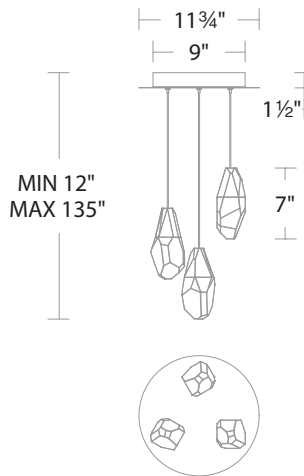


AB: Aged Brass

BK: Black

PN: Polished Nickel

#### LINE DRAWING



#### DESCRIPTION

A shower of jewels. Suspended in mid-air, Schonbek optic or optic haze crystal elements composed of natural quartz gemstone illuminate at varying heights to entice. Cascading from above and perfectly designed for over breakfast tables or nightstands in a bedroom to make a powerful yet elegant statement. Finished in aged brass, black and polished nickel.

#### FEATURES

- Built-in color temperature adjustability switch from 3000K/3500K/4000K at time of installation
- Thin powered aircraft cables provide an ultra clean look for adjustable suspension height
- Thin canopy conceals a proprietary universal 120V-220V-277V driver
- Decorative diamond texture diffuser is included to be installed to customer preference

#### REPLACEMENT PARTS

- RPL-GLA-20207O - Optic Crystal
- RPL-GLA-20207OH - Optic Haze

#### SPECIFICATIONS

CRI	90
Dimming	ELV, 0-10V, TRIAC
Standards	ETL/cETL, Damp, Title 24

Model	Size	LED Color Temp	Trim Option	Finish	Voltage	Wattage	Weight	LED Lumens	Delivered Lumens
BPD20203	3 lights	3000K/3500K/4000K	<b>O</b> Optic Crystal <b>OH</b> Optic Haze	<b>AB</b> Aged Brass <b>BK</b> Black <b>PN</b> Polished Nickel	120-277V	22W	12 lb	1971	UP TO 1518

Example: BPD20203OH-AB