

**ASSEMBLY & INSTALLATION INSTRUCTIONS**

**Fixture**  
BPD16254

---

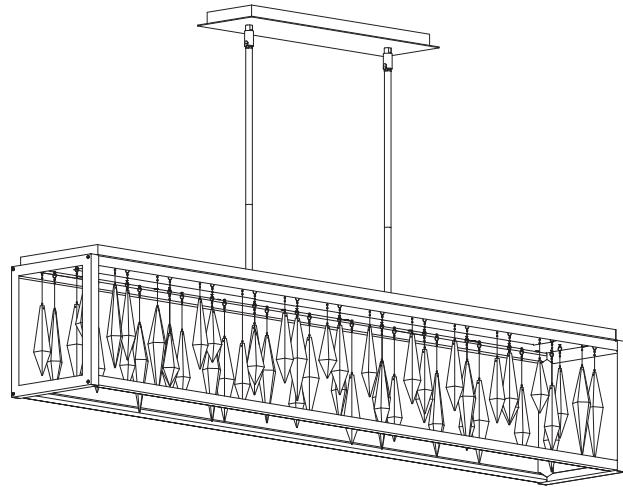


Schonbek, 61 Industrial Blvd, Plattsburgh, New York, 12901  
Phone: 1-800-836-1892 | Fax: 518-563-4228 |  
[www.schonbek.com](http://www.schonbek.com)

## ASSEMBLY & INSTALLATION INSTRUCTIONS

Fixture  
BPD16254

SCHONBEK  
*Beyond*



### WARNING

IMPORTANT: NEVER attempt any work without shutting off the electricity.

- o Read all instructions before installing.
- o System is intended for installation in accordance with the National Electrical Code (NEC), other applicable installation code(s) and local regulations by a licensed electrician familiar with the operation of the product and the hazards involved.
- o Go to the main fuse box, or circuit breaker panel. Place the main power switch in the "OFF" position and unscrew the fuse (s) or switch "OFF" the circuit breaker switch (es) that control the power to the fixture (s) or room that you are working on.
- o Place the wall switch in the "OFF" position.
- o FAILURE TO INSTALL THIS FIXTURE IN ACCORDANCE WITH THESE INSTRUCTIONS MAY RESULT IN SERIOUS PERSONAL INJURY OR DEATH AND/OR PROPERTY DAMAGE.

### CAUTION

- o All parts must be used as indicated in these instructions. Do not substitute any parts, leave parts out, or use any parts that are worn out or broken. Failure to follow this instruction could invalidate the ETL/CETL Listing of this fixture.
- o When handling the fixture, do not apply pressure to the LEDs or bulbs. Hold the fixture by the base only.
- o Do not exceed maximum wattage noted on the fixture. Use only the recommended LED or standard lamps with the fixture.

### ADVERTENCIA

IMPORTANTE: NUNCA trate de hacer ningún trabajo sin desconectar la electricidad.

- o Lea todas las instrucciones antes de instalar.
- o El sistema tiene por objeto la instalación de acuerdo con el Código Eléctrico Nacional, y otros códigos de instalación y reglamentos locales aplicables, por parte de un electricista autorizado que esté familiarizado con el funcionamiento del producto y los peligros involucrados.
- o Vaya a la caja de fusibles o al panel de disyuntores principal. Ponga el interruptor principal de alimentación en la posición de "APAGADO"; y desenrosque los fusibles o "DESCONECTE" los disyuntores que controlen la alimentación a los dispositivos o la habitación en los que usted esté trabajando.
- o Ponga el interruptor de pared en la posición de "APAGADO".
- o EL HECHO DE NO INSTALAR ESTE DISPOSITIVO DE ACUERDO CON ESTAS INSTRUCCIONES PODRÍA RESULTAR EN UNA LESIÓN PERSONAL GRAVE O LA MUERTE, Y/O DAÑOS A LA PROPIEDAD.

## ASSEMBLY & INSTALLATION INSTRUCTIONS

Fixture  
BPD16254

SCHONBEK  
*Beyond*

### PRECAUCIÓN

- o Todas las piezas deben usarse como se indica en estas instrucciones. No sustituya ninguna pieza, no deje piezas fuera, ni utilice ninguna pieza que esté desgastada ni rota. El hecho de no seguir estas instrucciones podría invalidar la certificación ETL/CETL de este dispositivo.
- o Al manipular el dispositivo, no aplique presión a los LED ni las bombillas. Sujete el dispositivo solo por la base.
- o No exceda la potencia máxima indicada en el dispositivo. Use solo los LED o las bombillas estándar recomendados con el dispositivo.

### ADVERTENCIA

IMPORTANT: NUNCA trate de hacer ningún trabajo sin desconectar la electricidad.

IMPORTANT : Ne JAMAIS entreprendre des travaux sans couper l'électricité.

- o Lire toutes les instructions avant l'installation.
- o Ce système est conçu pour être installé conformément au Code national de l'électricité ou d'autres codes d'installation et réglementations locales en vigueur par un électricien agréé connaissant le fonctionnement de ce produit et les dangers qu'il comporte.
- o Aller à la boîte à fusibles ou panneau principal de disjoncteurs. Placer l'interrupteur d'alimentation principal sur « ARRÊT » et dévisser le ou les fusibles ou mettre sur « ARRÊT » le ou les disjoncteurs qui contrôlent l'alimentation du ou des appareils électriques ou de la pièce dans laquelle vous travaillez.
- o Mettre l'interrupteur mural sur « ARRÊT ».
- o NÉGLIGER D'INSTALLER CET APPAREIL CONFORMÉMENT À CES INSTRUCTIONS RISQUE D'ENTRAÎNER DE GRAVES BLESSURES PERSONNELLES OU LA MORT AINSI QUE DES DOMMAGES MATÉRIELS.
- o MISE EN GARDE
- o Toutes les pièces doivent être utilisées comme indiqué dans ces instructions. Ne remplacer aucune pièce, ne laisser aucune pièce de côté ou n'utiliser aucune pièce usée ou cassée. Le non-respect de cette directive peut invalider l'homologation ETL/CETL de cet appareil.
- o Lors de la manipulation de cet appareil, n'appliquer aucune pression sur les DEL ou les ampoules. Maintenir l'appareil par la base uniquement.
- o Ne pas dépasser le nombre de watts maximum indiqué sur l'appareil. N'utiliser que les DEL ou ampoules standard recommandées dans cet appareil.

**ASSEMBLY & INSTALLATION INSTRUCTIONS**

Fixture  
BPD16254

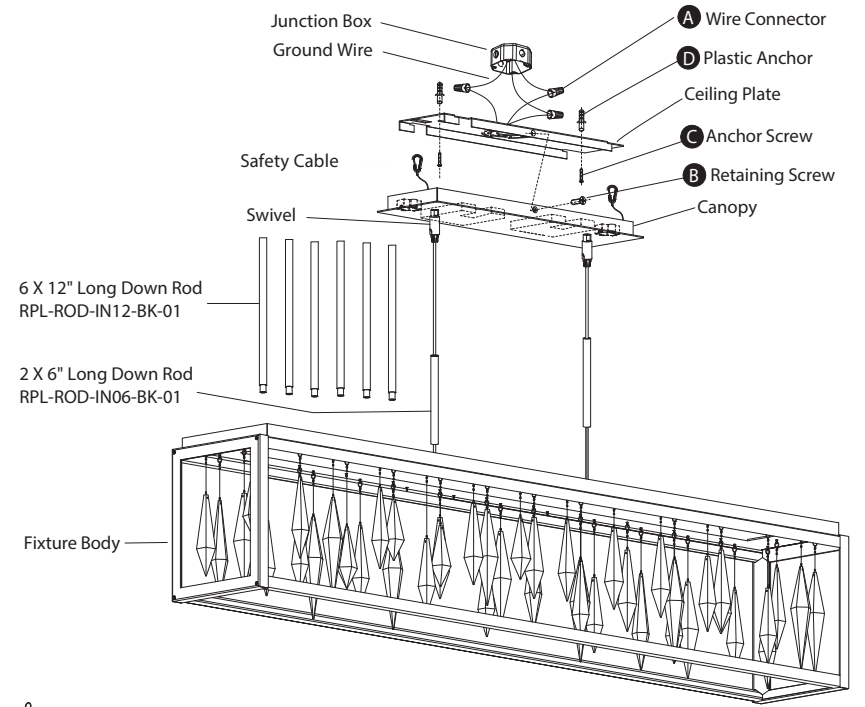


**ASSEMBLY & INSTALLATION INSTRUCTIONS**

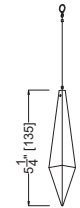
Fixture  
BPD16254



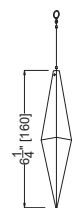
**Fig. 1**



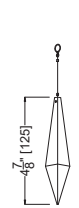
Fixture Body



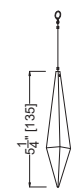
RPL-GLA-16254-01  
(Square)



RPL-GLA-16254-02  
(Square)



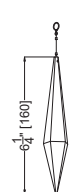
RPL-GLA-16254-03  
(Square)



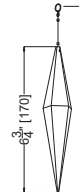
RPL-GLA-16254-04  
(Pentagon)



RPL-GLA-16254-05  
(Pentagon)



RPL-GLA-16254-06  
(Pentagon)



RPL-GLA-16254-07  
(Pentagon)

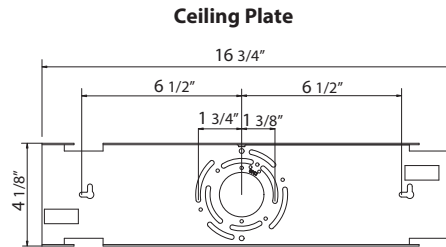
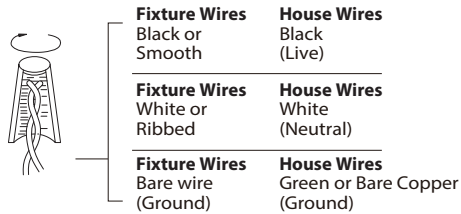
Crystal Trim Hook

## ASSEMBLY & INSTALLATION INSTRUCTIONS

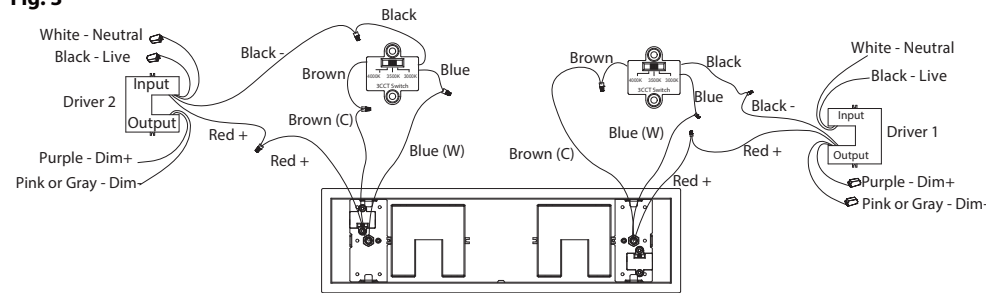
Fixture  
BPD16254



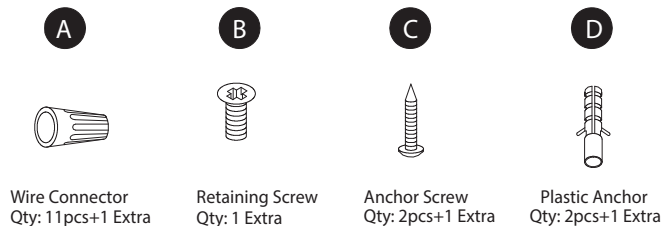
**Fig. 2 Wiring**



**Fig. 3**



### HARDWARE



## ASSEMBLY & INSTALLATION INSTRUCTIONS

Fixture  
BPD16254



### PREPARATION

- Shut off the power at the circuit breaker and remove existing fixture, including the crossbar.
- Carefully unpack your new fixture and lay out all the parts in a clear area. Be careful not to lose any small parts necessary for installation.

### MOUNTING CEILING PLATE (Fig. 1)

- Remove the retaining screw (B) from the fixture, and remove the ceiling plate.
- Set color temperature at this stage. The fixture can switch between three color temperatures (3000k, 3500k, 4000k), which can be adjusted to your preference using the 3CCT switches (Fig. 3) mounted on the ceiling plate. Make sure both switches are set to the same color temperature setting.
- Drill holes in the ceiling aligned with the outer keyholes in the ceiling plate. Install the plastic anchors (D) into the ceiling.
- First, secure the ceiling plate to the junction box using the junction box screws (not provided). Second, fasten the ceiling plate to the installed anchors using anchor screws (C).  
(i)The side of the ceiling plate marked "GND" must face out, towards the installer.

### WIRING FIXTURE (Fig. 1, Fig. 2, Fig. 3)

- Choose number of down rods suitable for your application. Thread the fixture wires through the rods, swivel and canopy. Attach the canopy, rods, swivel and fixture body. Ensure all connections are tightened. Note: Due to limited space within the canopy, shorten the cable as necessary to make the installation easier. Make sure to identify and label all the wiring properly (Fig. 3) before any trimming/shortening.
- Attach the fixture to the bracket on the ceiling plate using a safety cable as shown (Fig. 1). This secures the fixture and aids in wiring.
- Wire driver to 3CCT switches per Fig. 3. Connect the driver input/output wires to the junction box wires as shown in Fig. 2/Fig. 3 using wire connectors (A) provided. Ensure wire connectors are secure. Connect the fixture's ground wire to the ground in the junction box; this will be either a green wire or a bare copper wire. After driver is wired to house wires, tuck wires carefully inside the junction box.
- If using a dimmer with this fixture, wire dimmer connections at this stage per section titled "**(OPTIONAL) DIMMER WIRING.**"

### COMPLETING INSTALLATION (Fig. 1)

- Mount the canopy against the ceiling plate. Slide the canopy in the direction of the notch until it latches in place. Fasten the canopy to the ceiling plate using the retaining screw (B).
- For a sloped ceiling application, rotate swivels at the top of the stems to ensure fixture is hanging vertically (Fig. 1).
- Hang the crystal trim from the hanging hooks in the fixture body.

### (OPTIONAL) DIMMER WIRING (Fig. 3)

- This fixture features electronic low voltage (ELV or TRAIC) or 0-10V dimming capabilities. See notes below for specific information on dimmer wiring.
- To utilize ELV or TRAIC dimming: use wires black (live), white (neutral) and house green wire or bare copper wire (ground). Do not use dimmer wires on driver for ELV or TRAIC dimming.
- To utilize 0-10V dimming: use wires purple (dim+), Pink or gray (dim-) from driver and connect to corresponding wires in junction box.
- NOTE: Make sure to connect 0-10V prior to power-up the fixture in order for the 0-10V dimming to function properly.