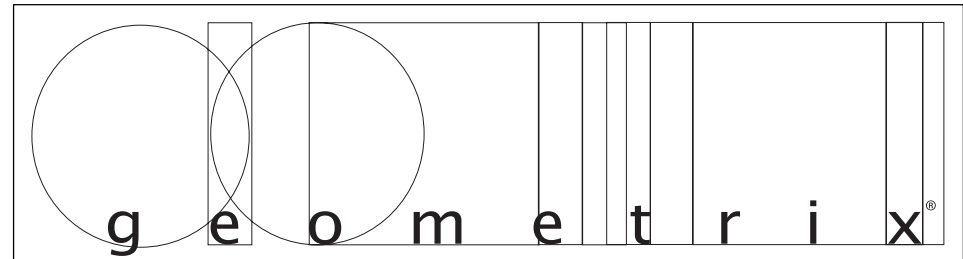
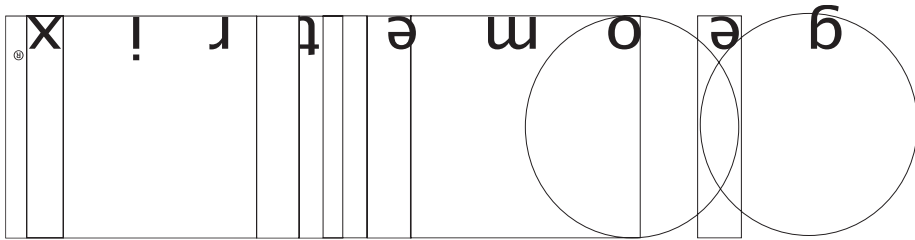


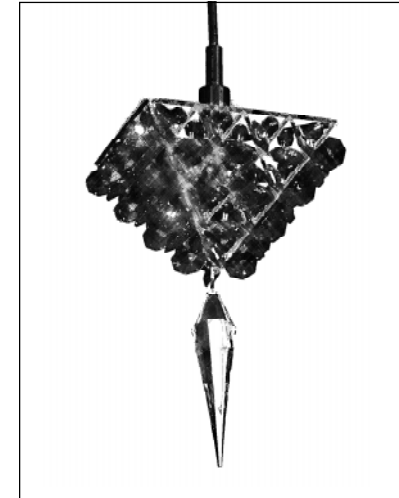


Trim Diagram  
Vertex® Pendant VR0306A

Important: Label on back contains important information on your crystal color. Please save in case you ever need to order matching crystal.



Trim Diagram  
Vertex® Pendant VR0306A



1 Light  
3 x 3 x 5½"

Geometrix™ is designed by Schonbek with Swarovski Spectra® crystal.



This design is the proprietary trade dress/trademark of Schonbek Worldwide Lighting Inc.

Please save your trim diagram for future reference.

IMPORTANT: Label on back contains important information on your crystal. Please save in case you ever need to order matching crystal.

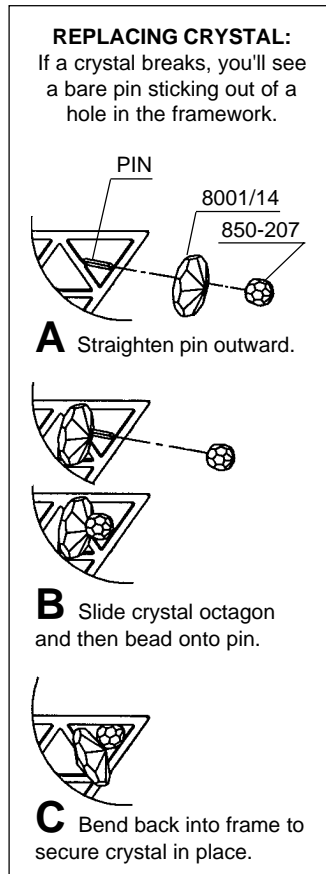
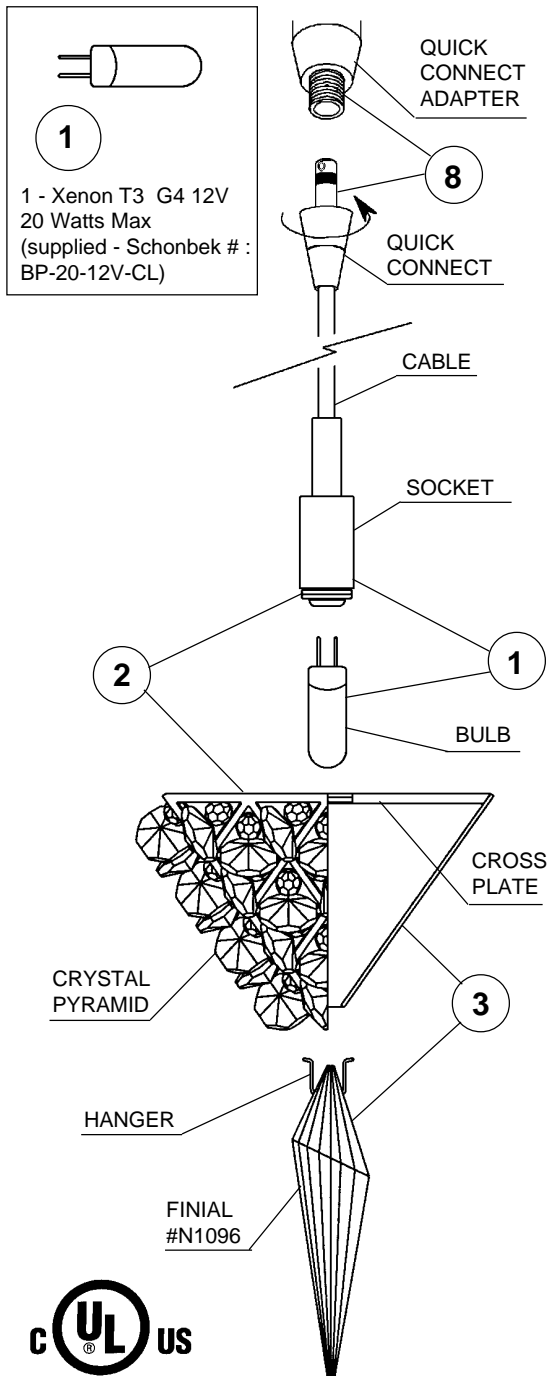


Schonbek Worldwide Lighting Inc., 61 Industrial Blvd., Plattsburgh NY 12901-1908  
Tel: 800.836.1892 or 518.563.7500 www.schonbek.com

© 2005 SCHONBEK WORLDWIDE LIGHTING INC., A. SCHONBEK & CO. LTD. WORLDWIDE COPYRIGHT RESERVED

US PATENT #D522,683, #D522,687, #7,101,065, #D532,144, #D560,027 & #7,347,594 / CANADIAN DESIGN © #109752



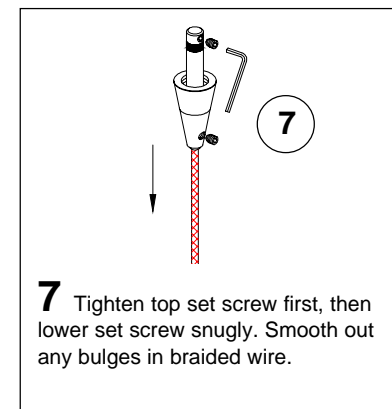
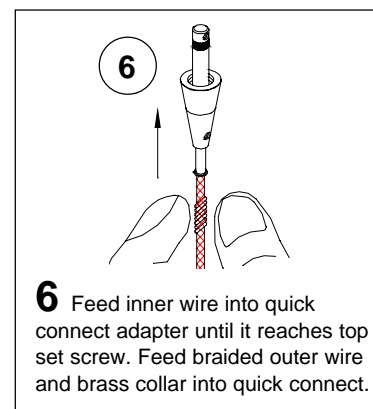
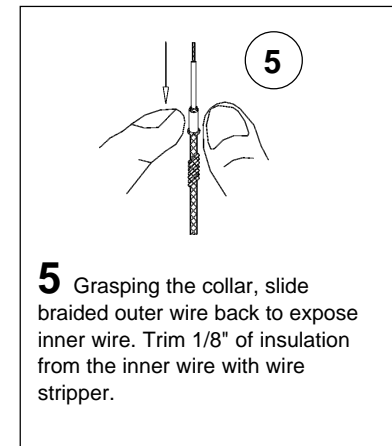
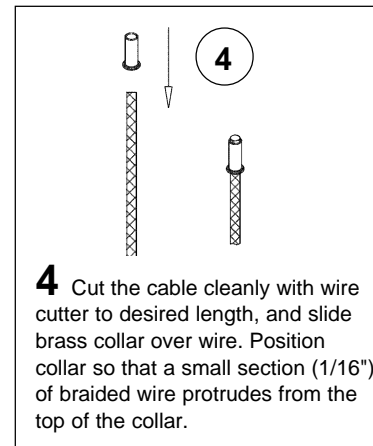


### How to Install Xenon Bulb and Vertex® Pendant:

Pendants may be mounted to monorail systems, monopoints or line voltage track by coupling to the quick connect transformer adapter. Attached to the socket is a cable that may be cut on site during installation to any length (see instructions below).

- 1 Plug bulb carefully but completely into socket. Use a Xenon T3 G4 12V bulb.
- 2 Position the cross plate of the pendant against the socket and secure in place by screwing the crystal pyramid onto the socket until tight.
- 3 Attach crystal finial N1096 to bottom point of crystal pyramid by pinching the hanger together and inserting.

### How to Shorten the Cable:



- 8 Screw quick connect into quick connect adapter until it seats. If you adjust the orientation of the pendant, be careful not to loosen the connection.

