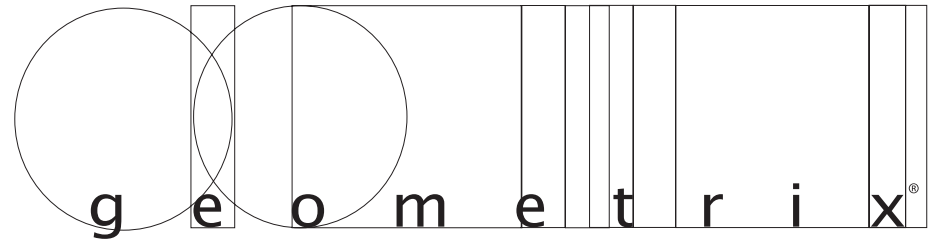




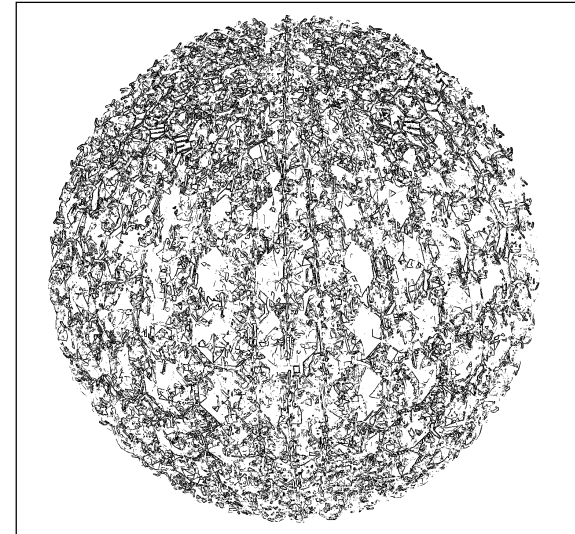
Schonbek Worldwide Lighting Inc., 61 Industrial Blvd., Plattsburgh NY 12901-1908
Tel: 800.836.1892 or 518.563.7500 www.schonbek.com or www.geometrix-lighting.com
For cleaning instructions, visit www.schonbek.com or www.geometrix-lighting.com

© 2009 SCHONBEK WORLDWIDE LIGHTING INC., A. SCHONBEK & CO. LTD. WORLDWIDE COPYRIGHT RESERVED

US UTILITY PATENT #5,906,430



Trim Diagram
Da Vinci Wall Sconce DVW0808S



4 Lights
Diameter: 8"
Extension: 7-1/2"

Geometrix™ is designed by Schonbek
with Strass® crystal by Swarovski.



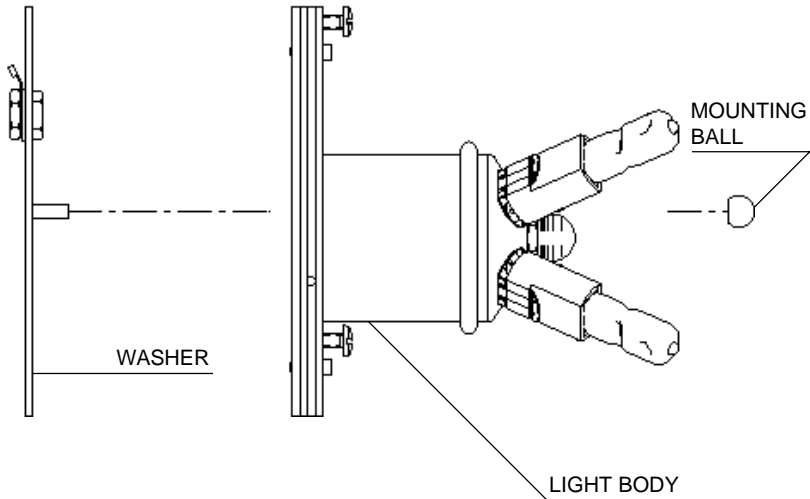
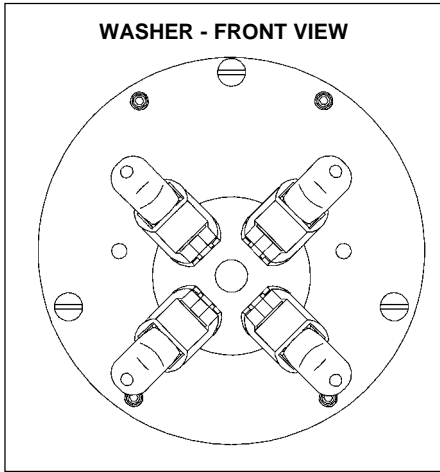
This design is the proprietary trade
dress/trademark of Schonbek Worldwide Lighting Inc

Please save your trim diagram for future reference.

IMPORTANT: Label on back contains important
information on your crystal color. Please save in case
you ever need to order matching crystal.

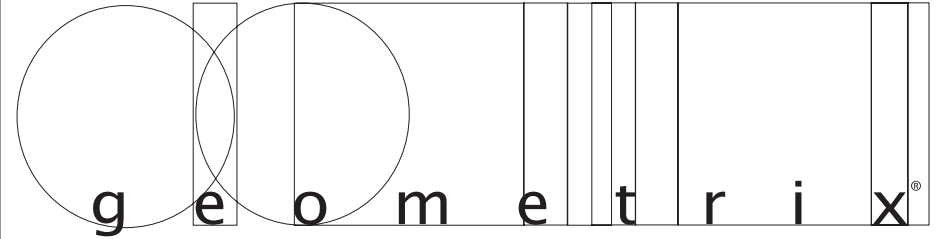


All electrical components must be installed by a licensed electrician in accordance with the National Electric Code and the appropriate local electrical codes.



How to Mount Wall Sconce:

- 1** Attach washer to outlet box using hardware (not supplied). Feed stem and ground wires through washer, then attach to power wires and ground wires in outlet box. Place light body against wall and secure in place with (2) mounting balls. Make sure to hold wall sconce securely until you are sure the mounting balls are tightened.
- 2** Plug bulbs carefully but completely into socket. Be sure NOT to handle bulbs with bare hands. Use only G9 JCD bulbs marked "suitable for open luminaires" OR bearing this symbol:



Frequency of cleaning crystal

We know people who clean their crystal every few months, because they love handling the crystals and admiring them close up. Others do a cleaning every six or nine months.

To stretch the time between cleanings, dust lightly every two or three months with a feather duster, lambswool duster or make-up brush.

Frequency of cleaning depends on location of your Da Vinci and other environmental factors.

Crystal needs cleaning when it appears dusty or dull. Just look at your Da Vinci frequently (always enjoyable), and you'll know when it's time for a cleaning.

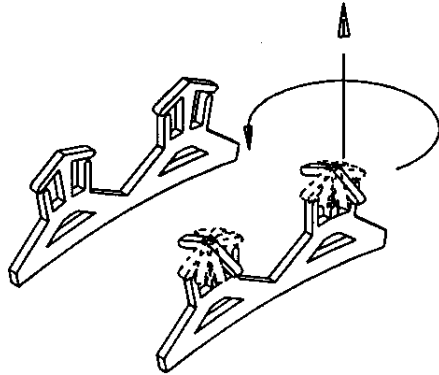
How to clean your Da Vinci:

Your Da Vinci is dishwasher safe!

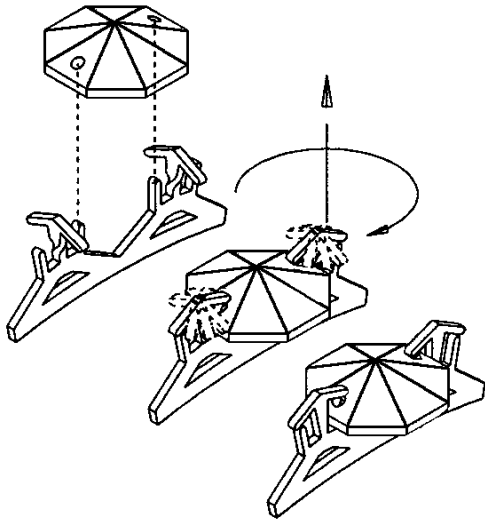
- 1** Wash Da Vinci in its own cycle. Do NOT wash with silverware or dishes.
- 2** Carefully place crystal sections in dishwasher. Make sure that the crystal sections are not touching each other as this could cause chipping.
- 3** Use good quality detergent and anti-spotting rinse following the instructions of the dishwasher manufacturer. Cleaners with bleach or ammonia should NOT be used.
- 4** Allow crystal panels to cool before handling and reassembling your Da Vinci. If sections are brought directly from the hot dishwasher to a cold area, the drastic temperature change could cause crystal to crack.
- 5** Put on gloves to handle your now clean crystal sections. See page 4 for assembly instructions.

REPLACING CRYSTAL:

If a crystal breaks, you'll see a bare spot in the framework. You will need a set of needlenose pliers to replace the crystal. Make sure when placing pliers onto the metal tab that the ends of the pliers do not go beyond and scratch the crystal.

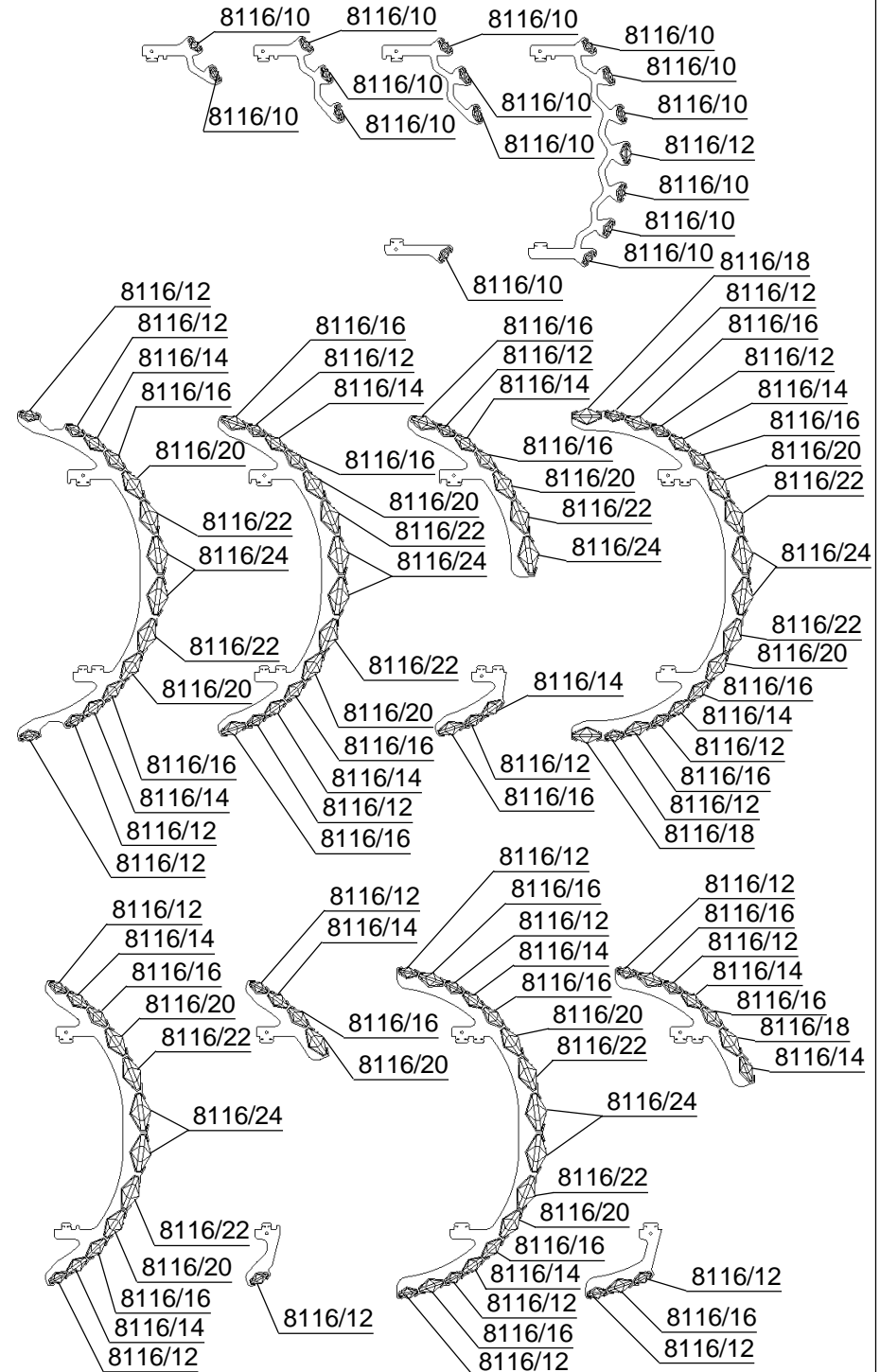


A Turn both tabs 90° counterclockwise on either side of pocket where the octagon should be.



B Slide crystal octagon into pocket. Turn both tabs clockwise back to original position to hold the octagon in place.

CRYSTAL IDENTIFICATION SHEET

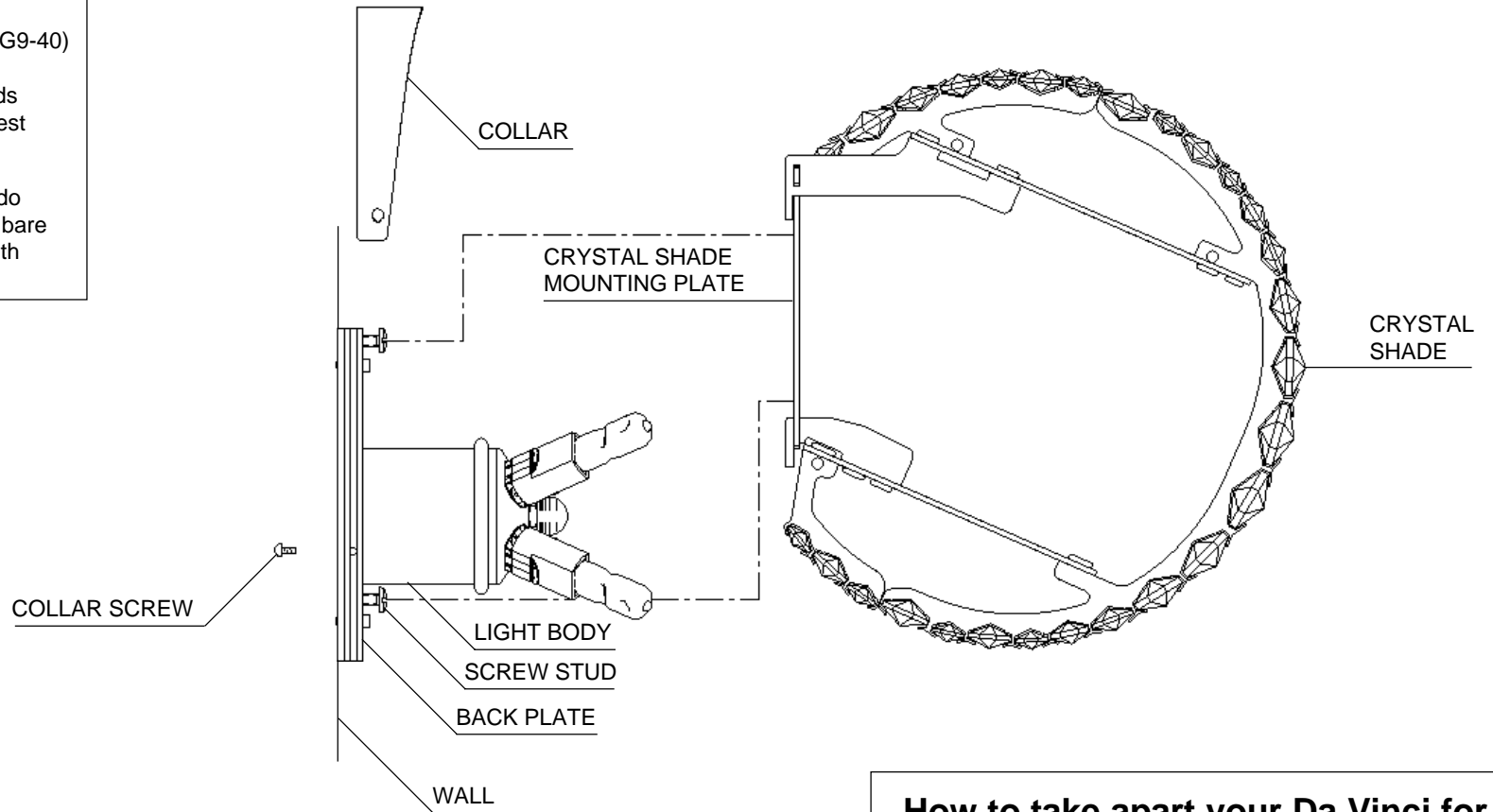




4 - G9 JCD
 (Supplied - Schonbek #JCD-G9-40)
 40 Watts Max
 Hanging Weight: 6-1/2 pounds
 Install bulbs and be sure to test
 fixture BEFORE assembly.



To avoid damaging, do
 NOT touch bulb with bare
 hands. Install bulb with
 clean cloth or tissue.



How to Assemble Your Da Vinci Wall Sconce:

Put on white cotton gloves to handle crystal.

3 Place crystal shade over light body then align the (3) key hole slots with the (3) screw studs on the backplate. Lower crystal shade onto screw studs. The crystal shade will rest on the (3) screw studs on the back plate.

4 Place collar (with flat side against the wall) in between wall and crystal shade. Secure to side of backplate with (2) screws supplied.

How to take apart your Da Vinci for changing bulbs or washing:

1 Locate and remove the (2) screws securing the collar to the backplate, then remove collar. DO NOT discard screws, they are required for reassembly.

2 Remove crystal shade by lifting up on the crystal shade so that the mounting plate key hole slots clear the heads of the (3) screw studs on the backplate. Carefully finish removing crystal shade over the light body.

3 Replace necessary bulbs.

If you are cleaning your Da Vinci, all crystal parts can now be placed in the dishwasher.

See page 7 for cleaning instructions