

Milton

SW31523



DESCRIPTION

Classic charm merges with modern elegance. The Milton wall lantern's subtle tapered design adds texture, while four petite ball feet provide a graceful, elevated stance. A stacked roof element enhances its architectural silhouette, complemented by a striking grey oxide, weather-resistant finish. Brass-trimmed doors with clear glass shades encase a trio of candle slips nestled within, while a round mirror on the lantern's inside wall amplifies a warm, inviting glow.

CRYSTAL OPTIONS

FINISH OPTIONS



Oil Rubbed
Bronze
(-719)



Weathered
Zinc
(-720)

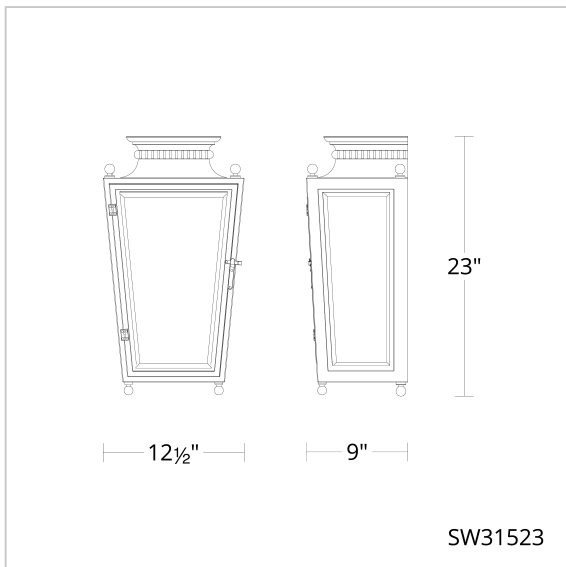
SPECIFICATIONS

Light Source Standards Incandescent
ETL/cETL

REPLACEMENT PARTS

RPL-GLA-31523-02 - Replacement Glass Side
RPL-GLA-31523-01 - Replacement Glass Front

LINE DRAWING



Model	Finish	Crystal	Size	CCT	Weight	Voltage	Wattage	LED Lumens	Delivered Lumens
SW31523	- 719 - 720		23"		17lbs			#N/A	Up To #N/A

Example: SW31523-719