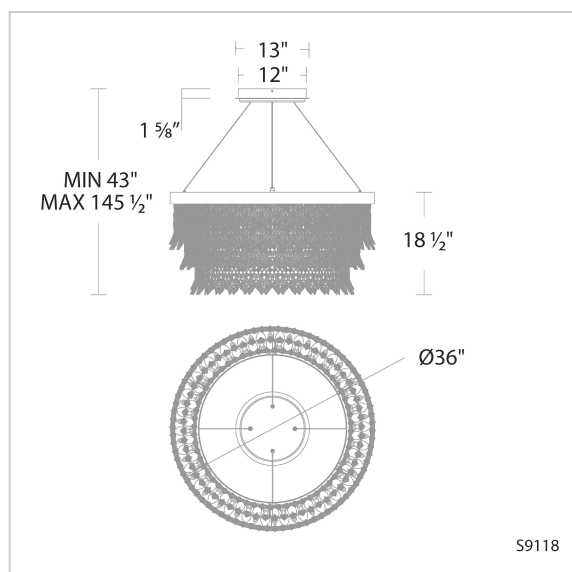


Pavona

S9118



LINE DRAWING



DESCRIPTION

Cascading with gleaming brilliance and glistening gemstones, Pavona showcases a central waterfall of ethereal perfection. Its frame is beautifully adorned with multifaceted Radiance™ Crystal drops and delicately handcrafted, feather-like metallic accents to complete its mystical composition.

FEATURES

- Built in color temperature adjustability. Switch from 3000K/3500K/4000K/5000K. Switch may be installed in junction box.
- Hand formed metallic trim pieces are accented by Radiance crystal octagons.
- Driver concealed within the fixture

CRYSTAL OPTIONS



Radiance
Crystal
(R)

FINISH OPTIONS



Heirloom
Gold
(-22)



Antique Silver
(-48)



Black
(-51)

SPECIFICATIONS

Light Source	LED
CRI	90
Standards	ETL/cETL, Title 24

Model	Finish	Crystal	Size	CCT	Weight	Voltage	Wattage	LED Lumens	Delivered Lumens
S9118	- 22 - 48 - 51	R	"	3000K/3500K/ 4000K/5000K	0lbs	120-277V	55W	4750	Up To 3800

Example: S9118-22R