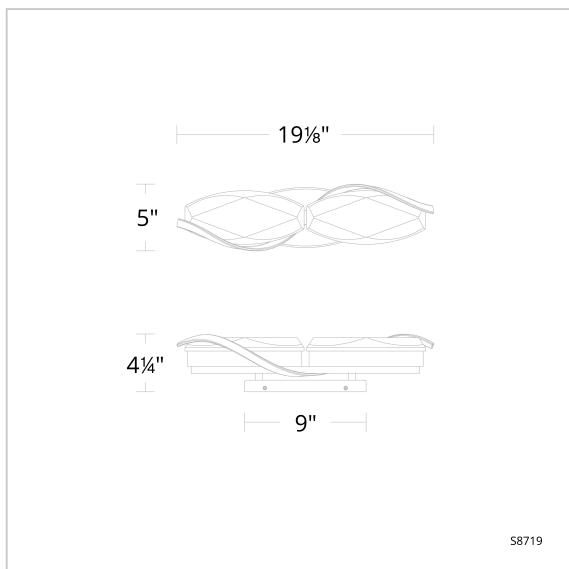


Bijoux

S8719



LINE DRAWING



DESCRIPTION

Elegantly gracing the attire of royalty for centuries, the brooch has always been more than a mere embellishment—it's an emblem of timeless elegance, evoking an era of refinement and tradition. Bijoux captures this essence with a touch of regal allure. Sparkling ovals, brimming with an array of meticulously faceted Radiance™ Crystal Dust gems, are encircled by sinuous metallic bands, paying homage to the opulence and sophistication of diamond pin designs.

FEATURES

- Illuminated Optic Crystal with Radiance™ Crystal Dust diffuser
- 4CCT adjustability switch. Set from 3000K/3500K/4000K/5000K
- Can be mounted on wall vertically or upside down
- Driver concealed within the fixture

CRYSTAL OPTIONS



Radiance
Crystal Dust
(RD)

FINISH OPTIONS



Aged Brass
(-700)



Brushed
Nickel
(-703)

SPECIFICATIONS

Light Source	LED
CRI	90
Dimming	ELV, Triac
Standards	ETL/cETL, Title 24

REPLACEMENT PARTS

RPL-GLA-8727 - Replacement Crystal

Model	Finish	Crystal	Size	CCT	Weight	Voltage	Wattage	LED Lumens	Delivered Lumens
S8719	- 700 - 703	RD	19"	3000K/3500K/ 4000K/5000K	10.71lbs	120/277V	20W	1310.9	Up To 870.95

Example: S8719-700R