











SCHONBEK
*Signature*TM

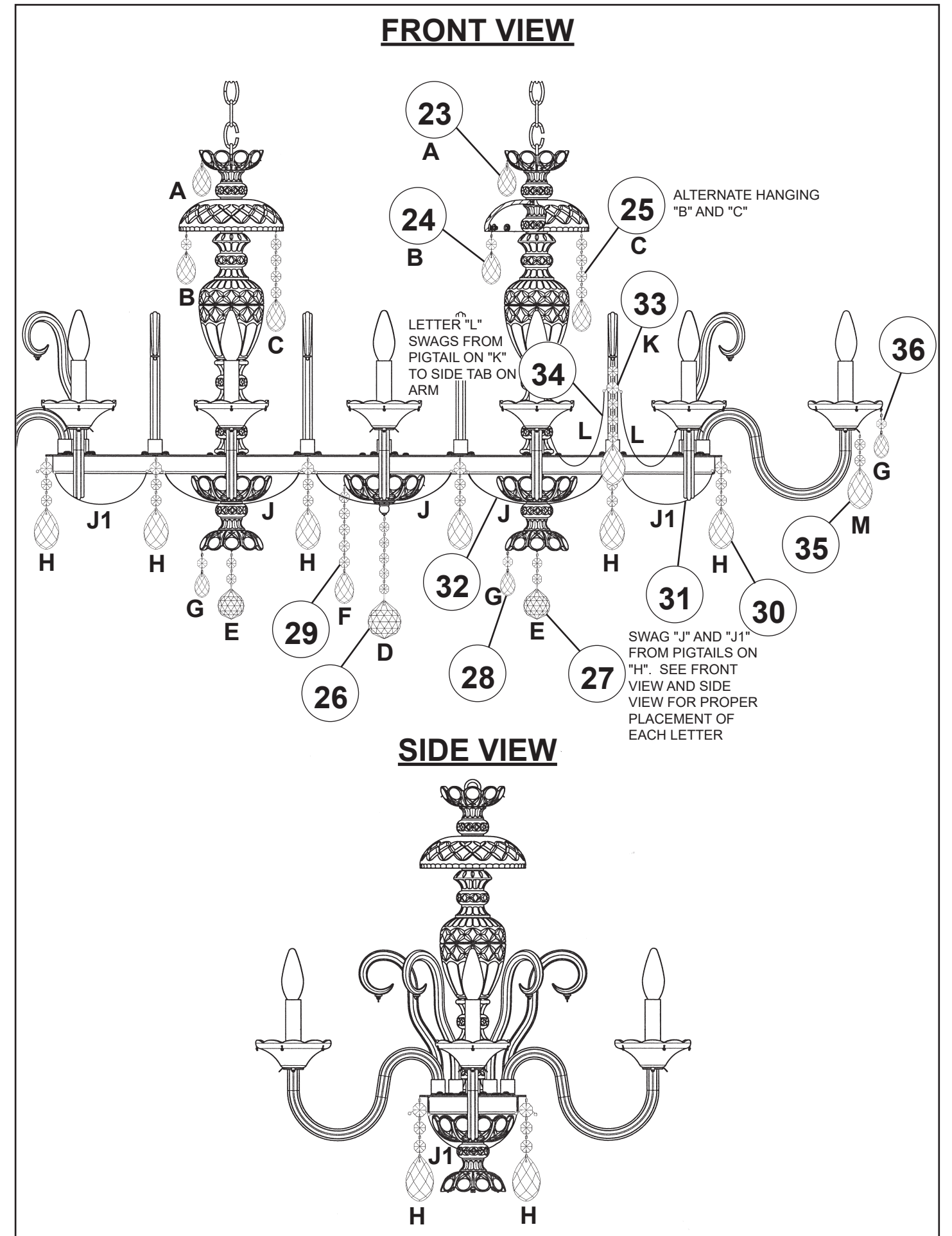
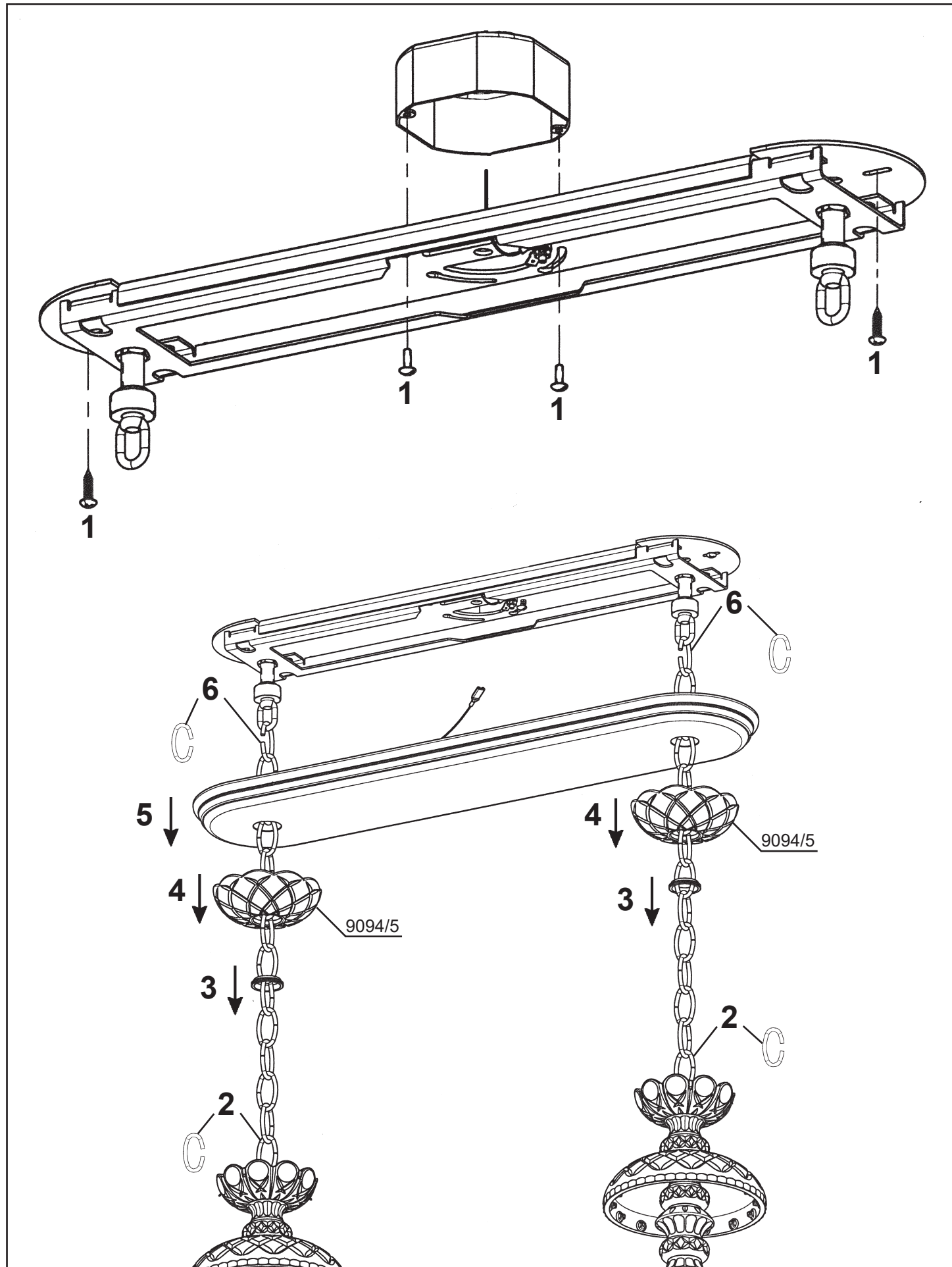
STERLING
S6912- ___ _ _ H

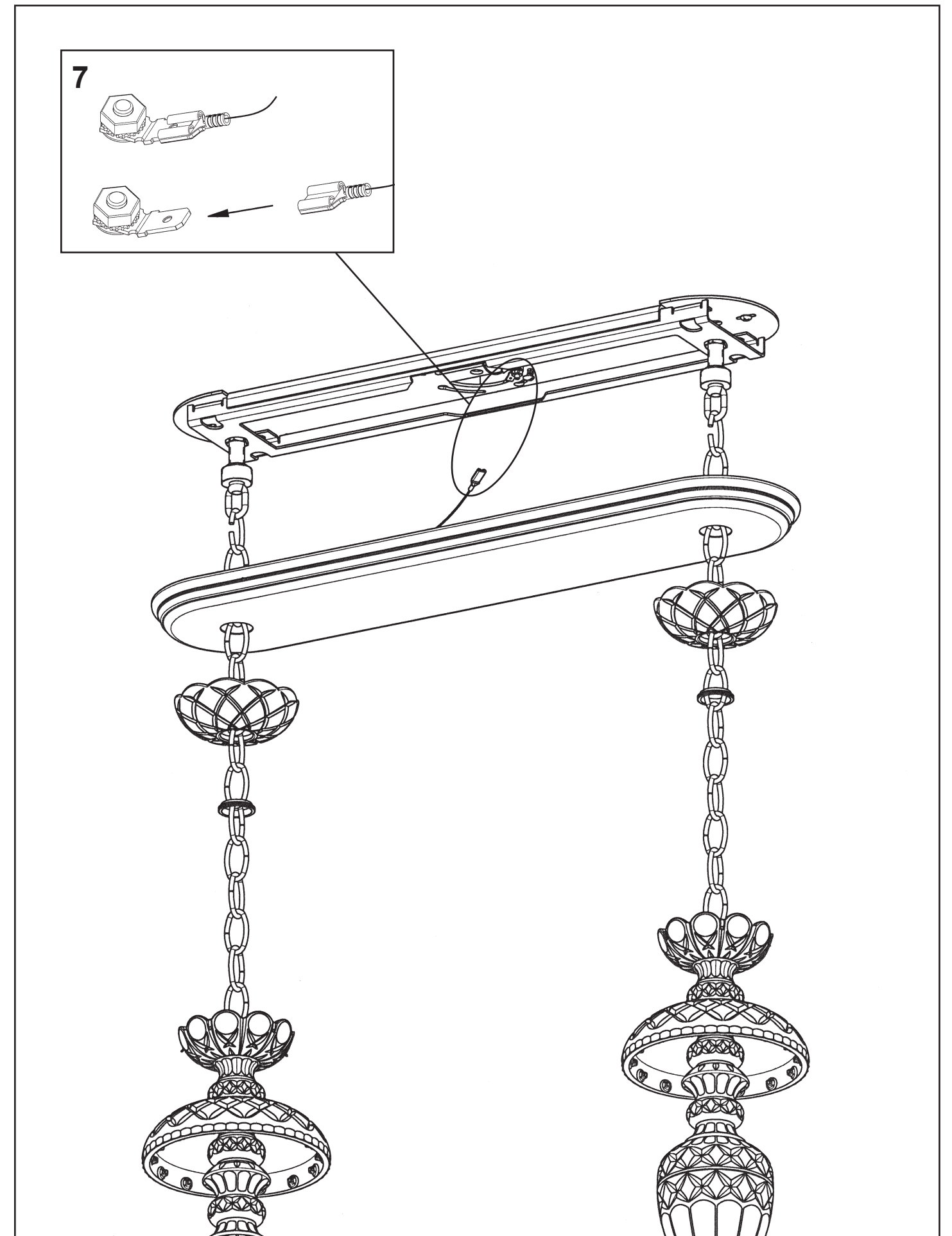
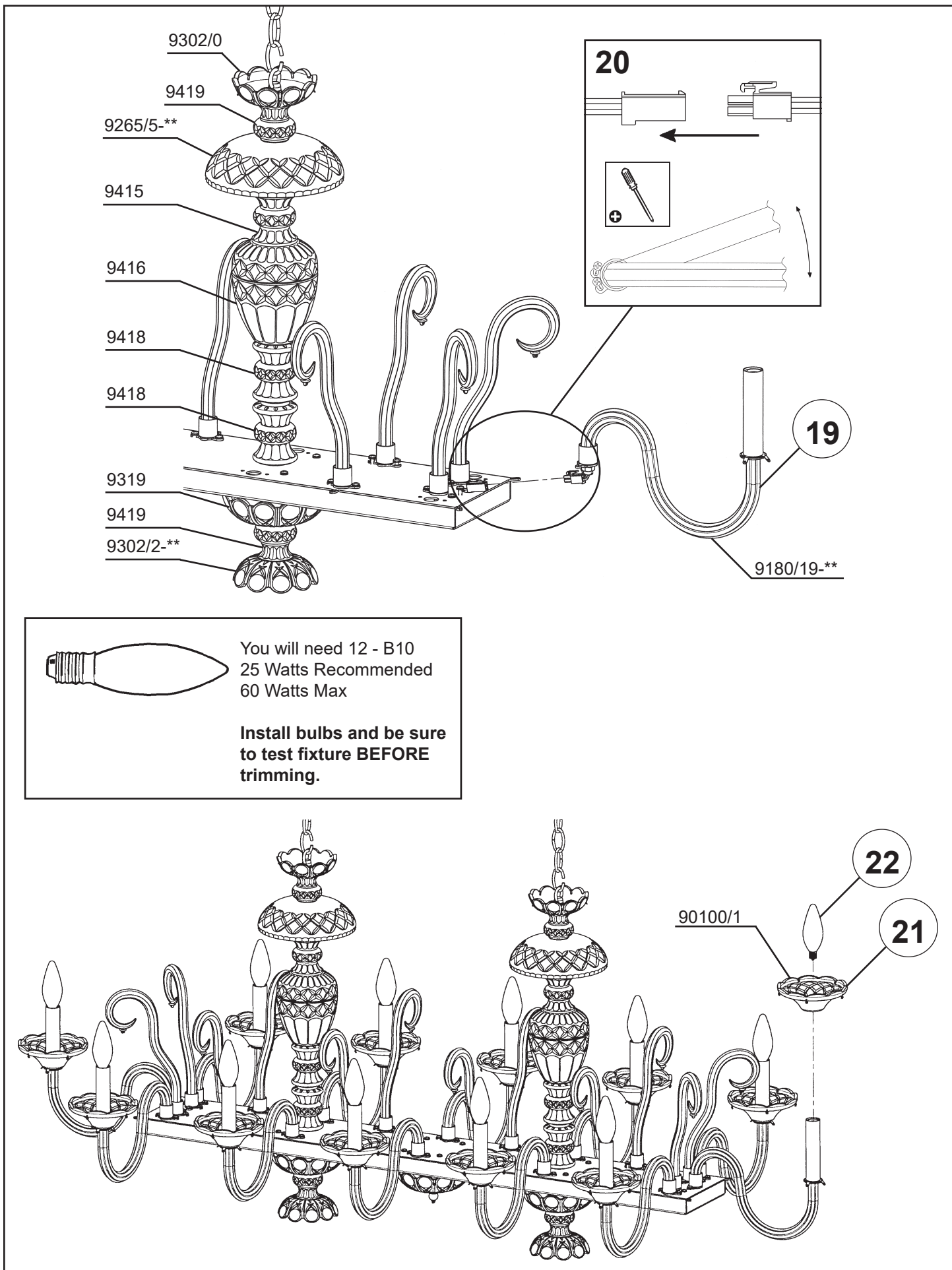


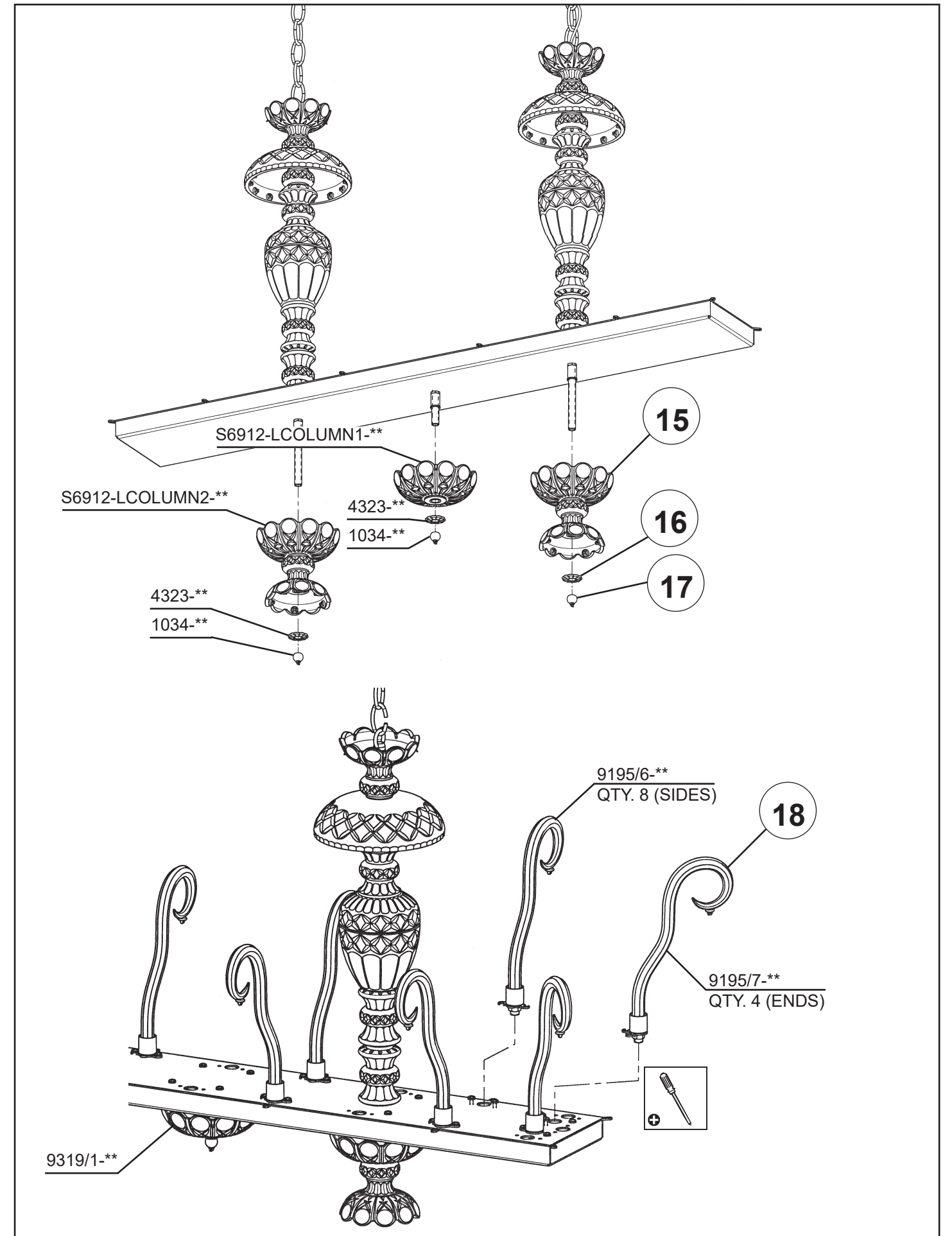
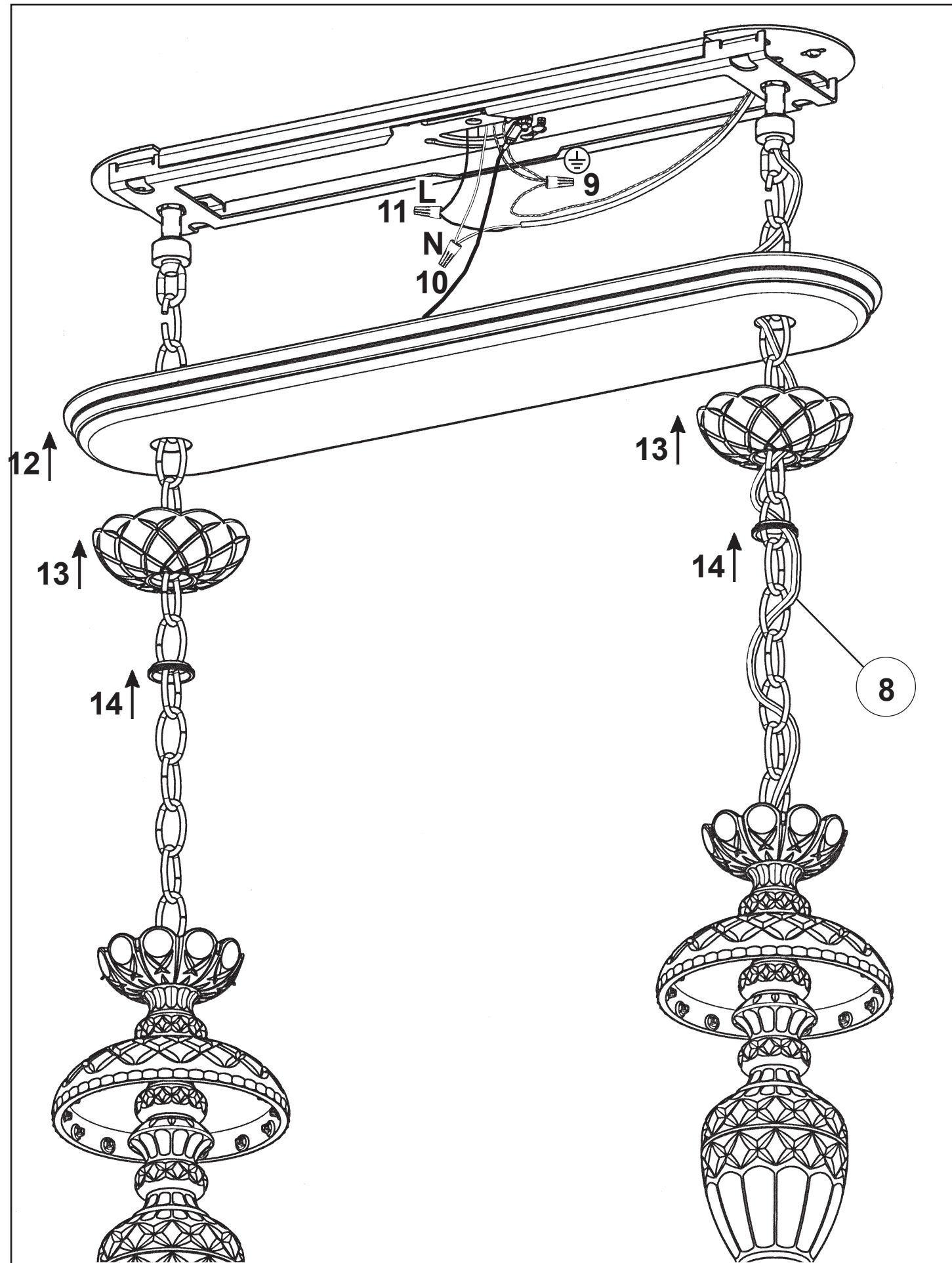
THIS DESIGN IS THE PROPRIETARY
TRADE DRESS/TRADEMARK OF
W SCHONBEK LLC.

SCHONBEK
*Signature*TM

								
MAX 60 W	110-120 V							







SCHONBEK
*Signature*TM

STERLING
S6912- _ _ _ R



THIS DESIGN IS THE PROPRIETARY
TRADE DRESS/TRADEMARK OF
W SCHONBEK LLC.

SCHONBEK
*Signature*TM



MAX 60 W 110-120 V 