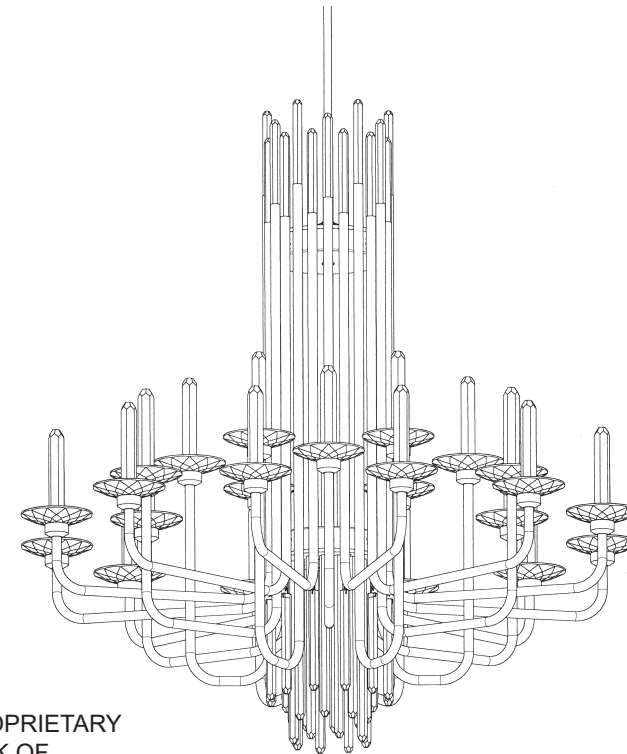


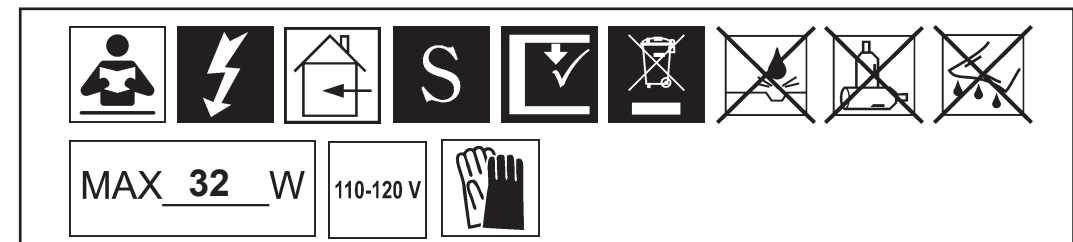
SCHONBEK
*Signature*TM

CALLIOPE
S5724- __ __ 0

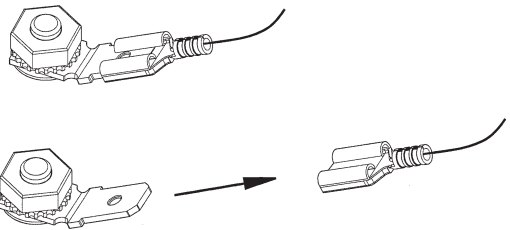


THIS DESIGN IS THE PROPRIETARY
TRADE DRESS/TRADEMARK OF
W SCHONBEK LLC.

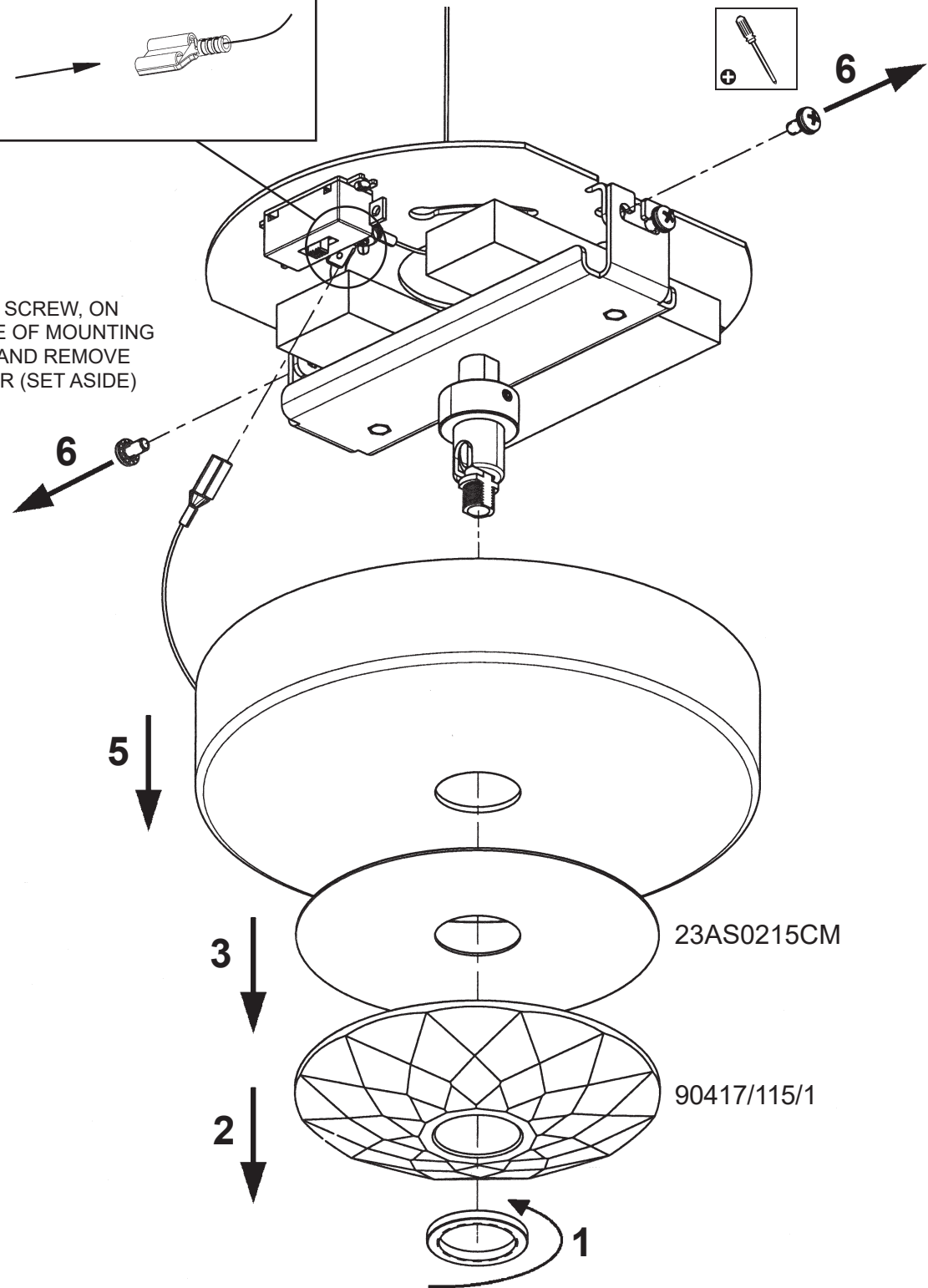
SCHONBEK
*Signature*TM




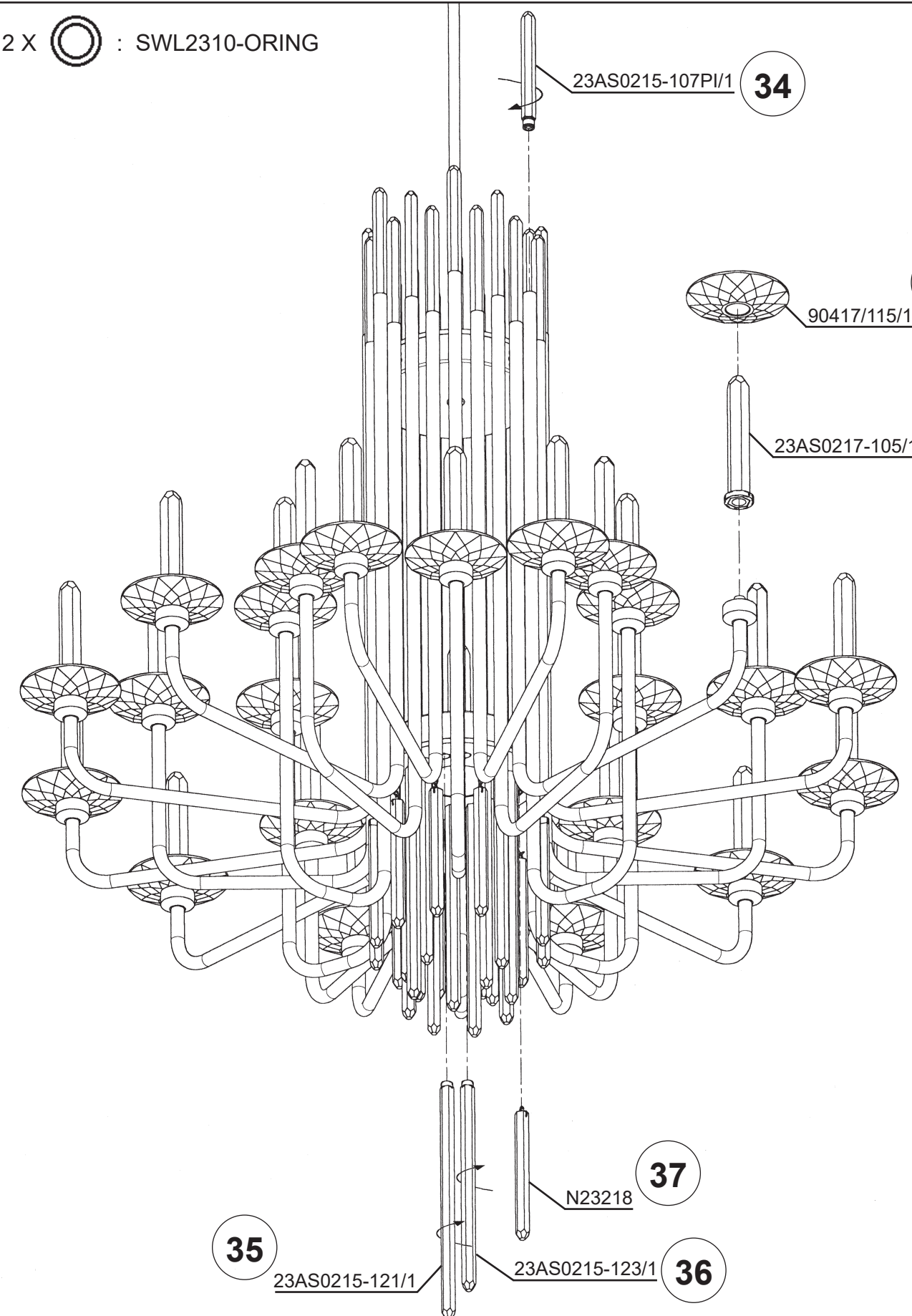
4



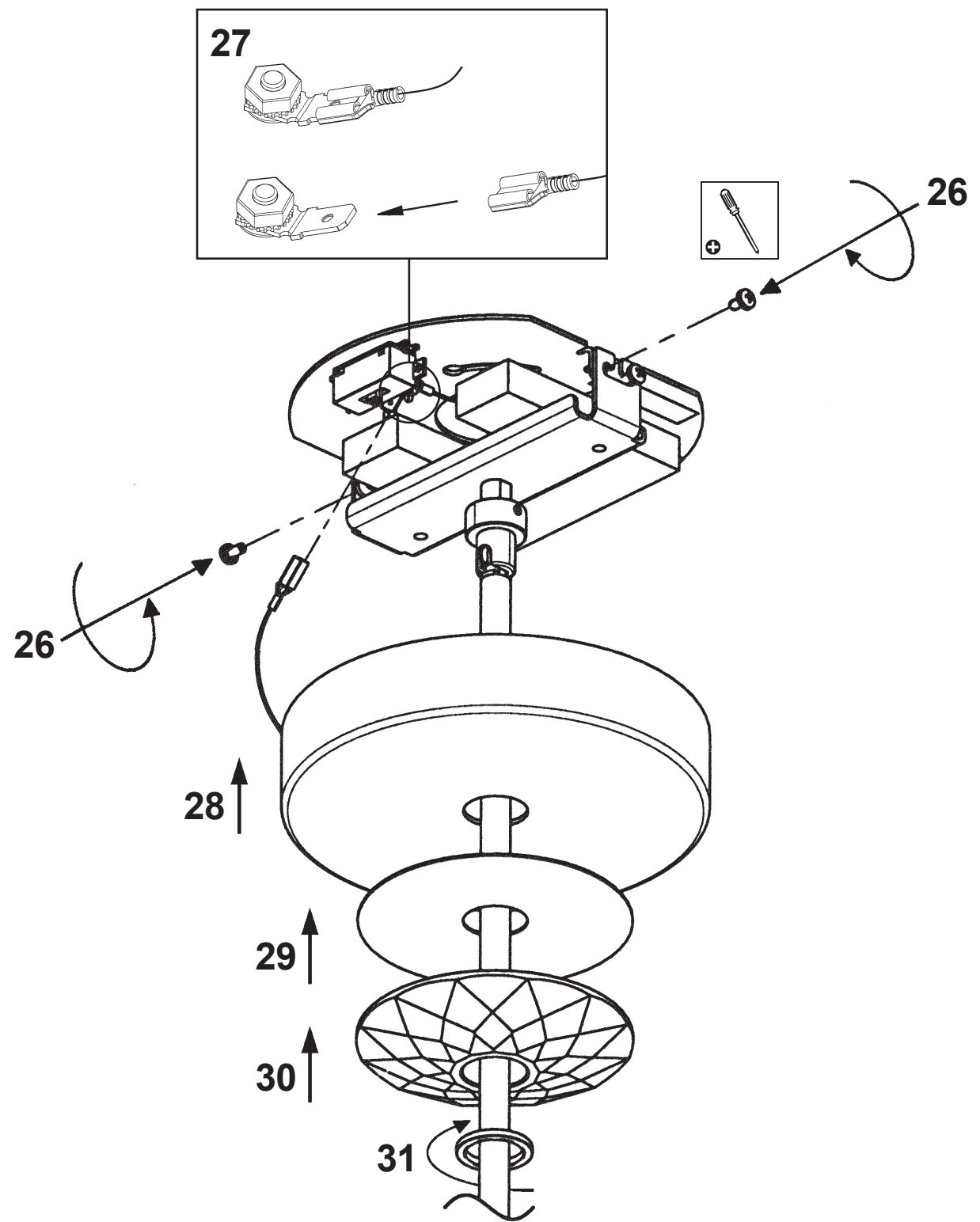
NOTE:
LOOSEN 1 SCREW, ON
EACH SIDE OF MOUNTING
WASHER, AND REMOVE
THE OTHER (SET ASIDE)



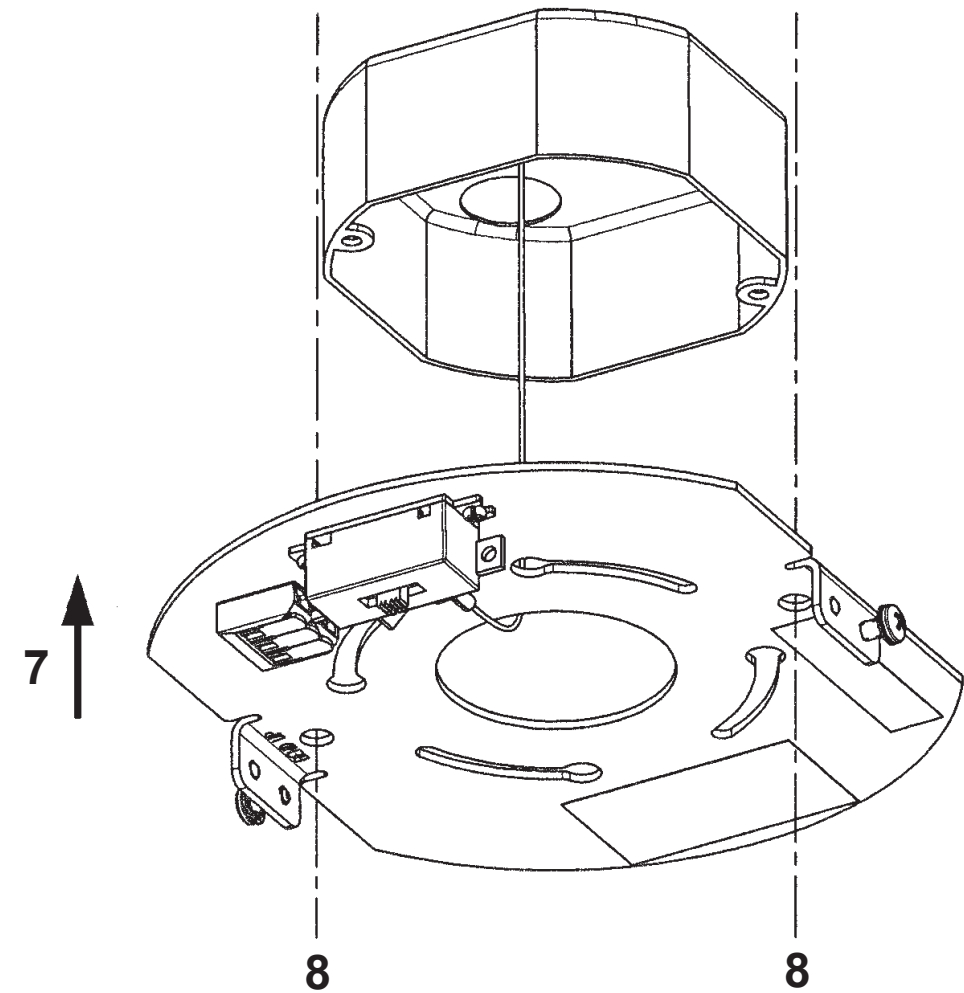
12 X  : SWL2310-ORING



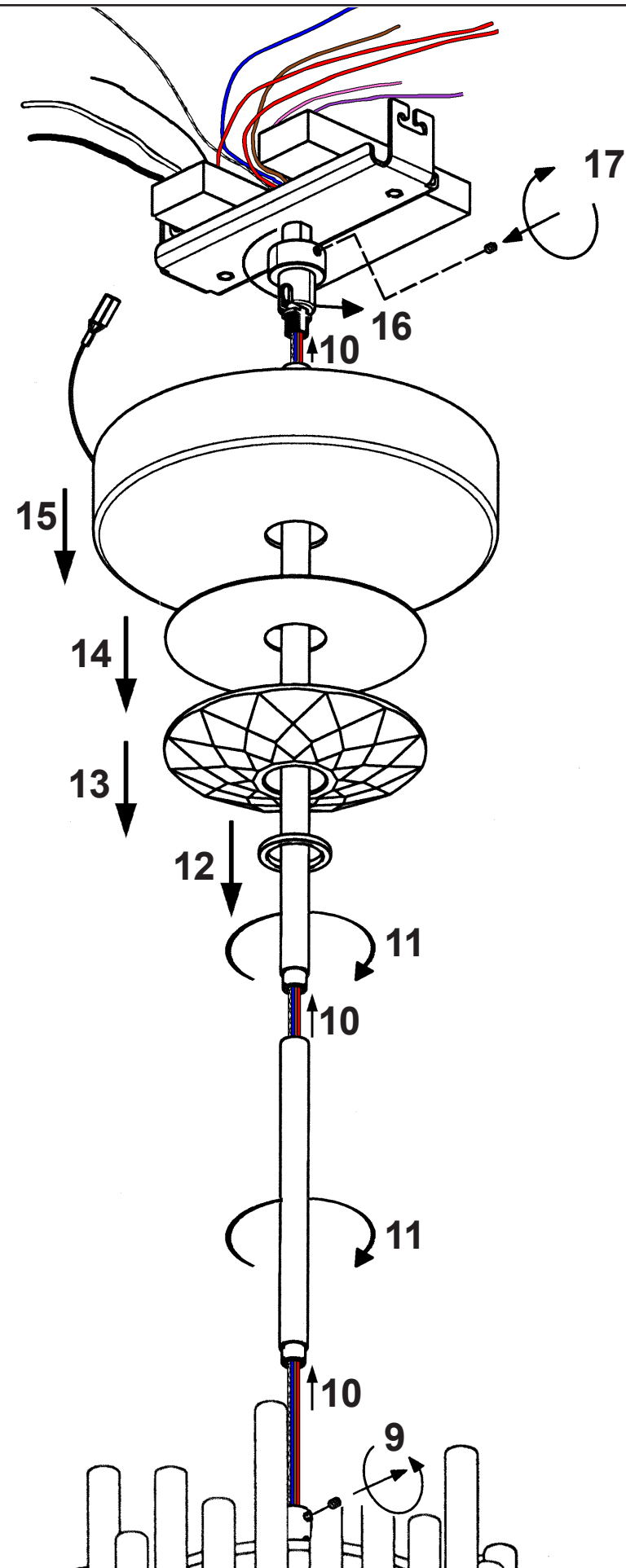
NOTE: ALTERNATE INSTALLING
23AS0215-121/1 AND 23AS0215-123/1



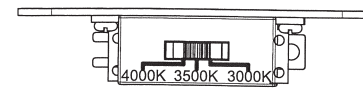
**NOTE: FIXTURE EXCEEDS 50LBS AND
MUST BE MOUNTED OR SUPPORTED
INDEPENDENTLY OF THE JUNCTION BOX.**



MOUNTING HARDWARE NOT INCLUDED



19 SELECT DESIRED LED
 COLOR TEMPERATURE
**NOTE: FIXTURE POWER MUST
 BE OFF BEFORE CHANGING
 THE CCT SETTING.**



3000K = WARM
 3500K = WARM/NATURAL
 4000K = NATURAL

