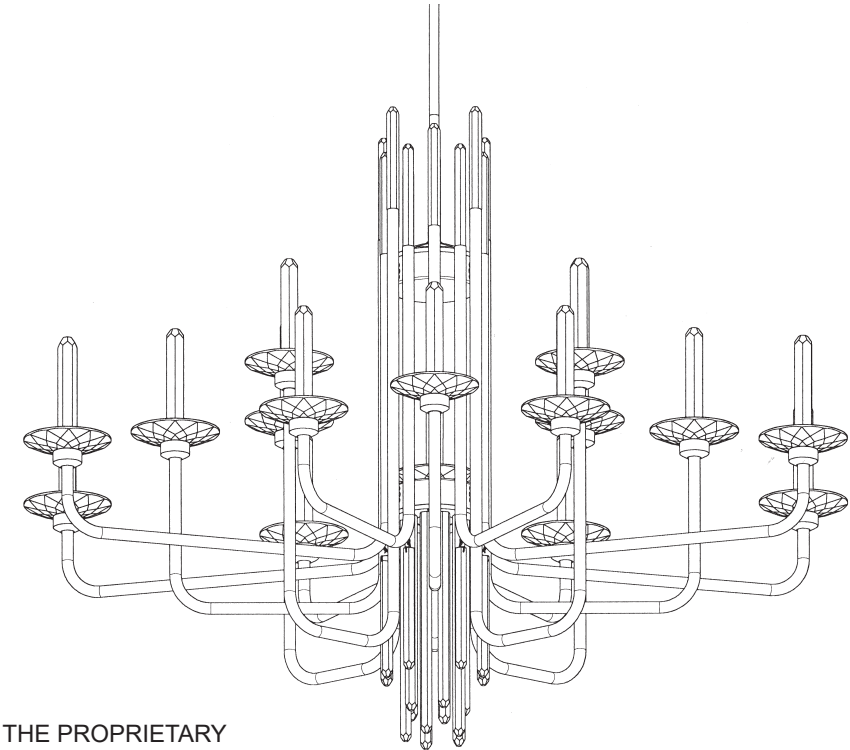


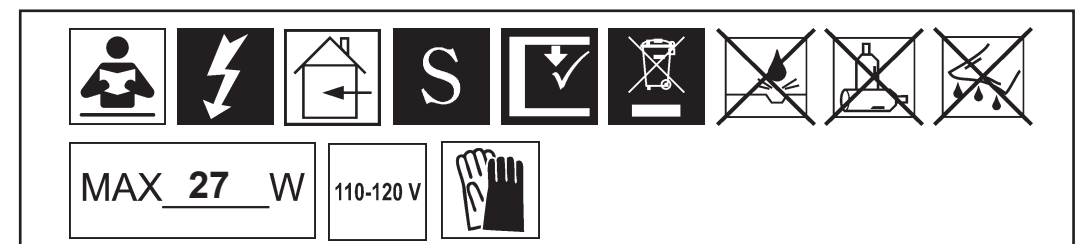
SCHONBEK
*Signature*TM

CALLIOPE
S5716-__ __O

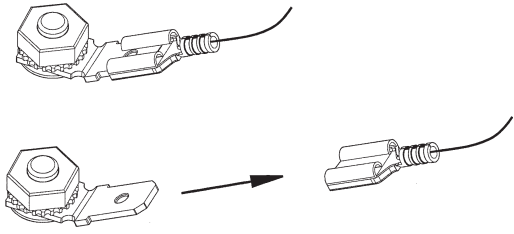


THIS DESIGN IS THE PROPRIETARY
TRADE DRESS/TRADEMARK OF
W SCHONBEK LLC.

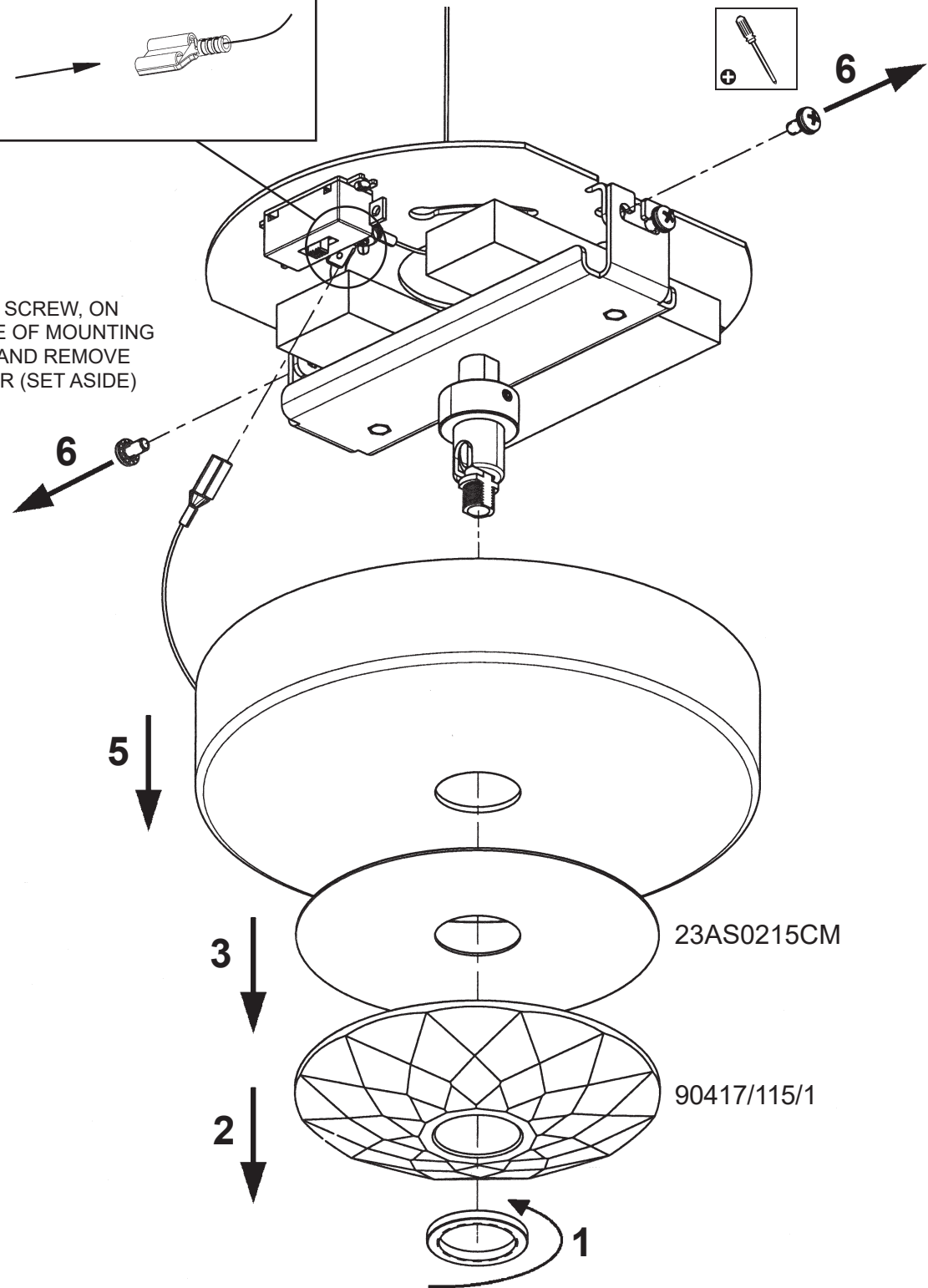
SCHONBEK
*Signature*TM



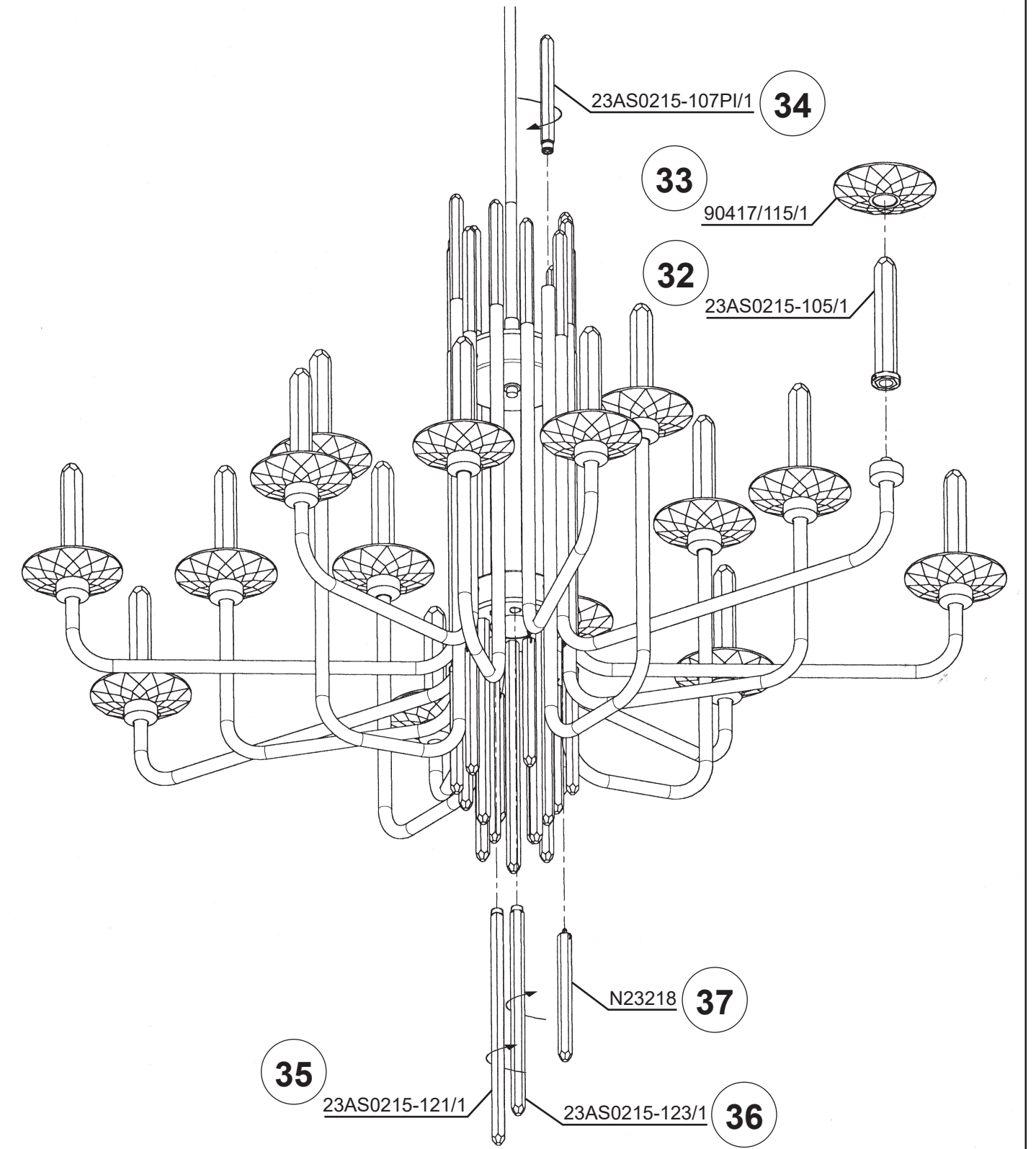
4



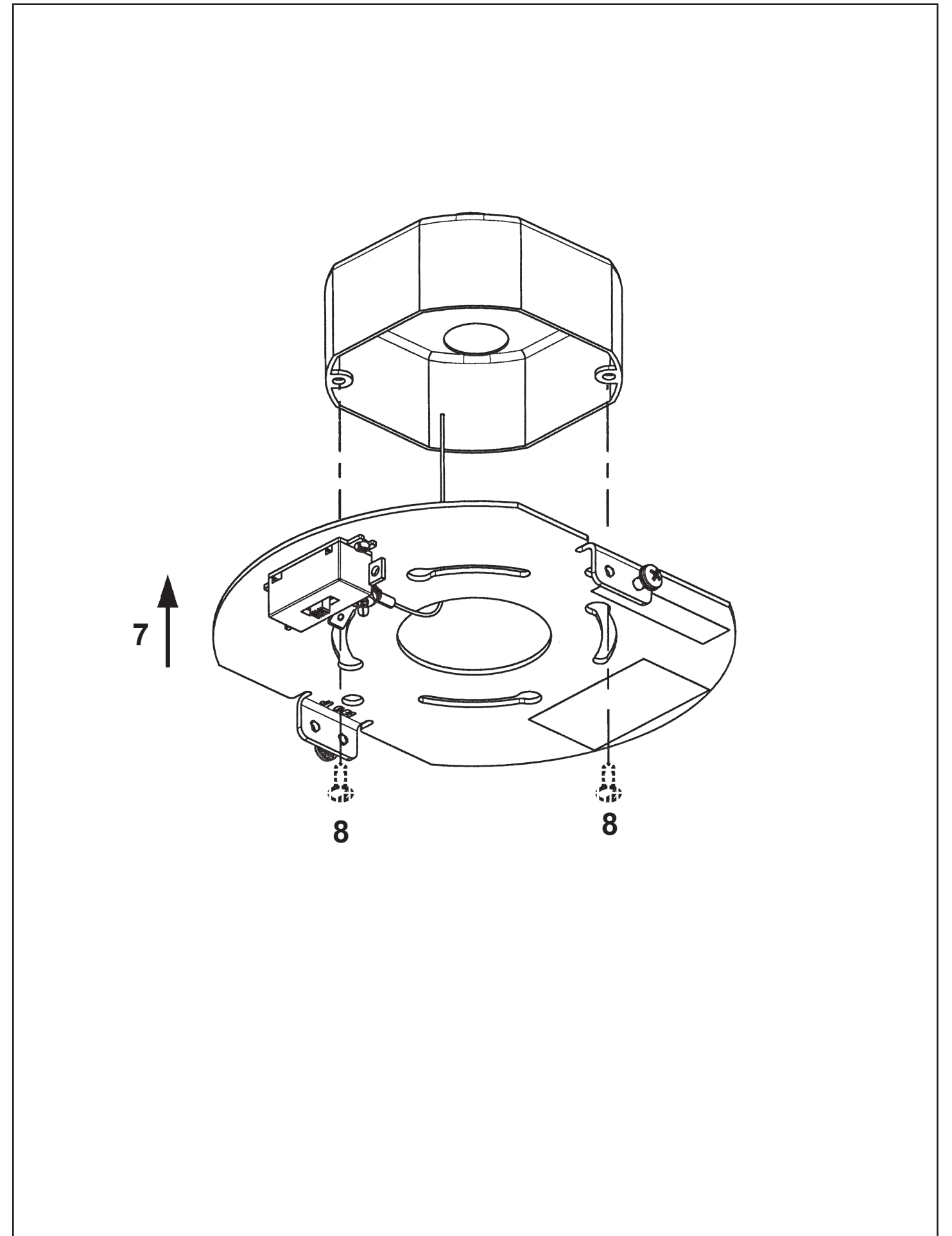
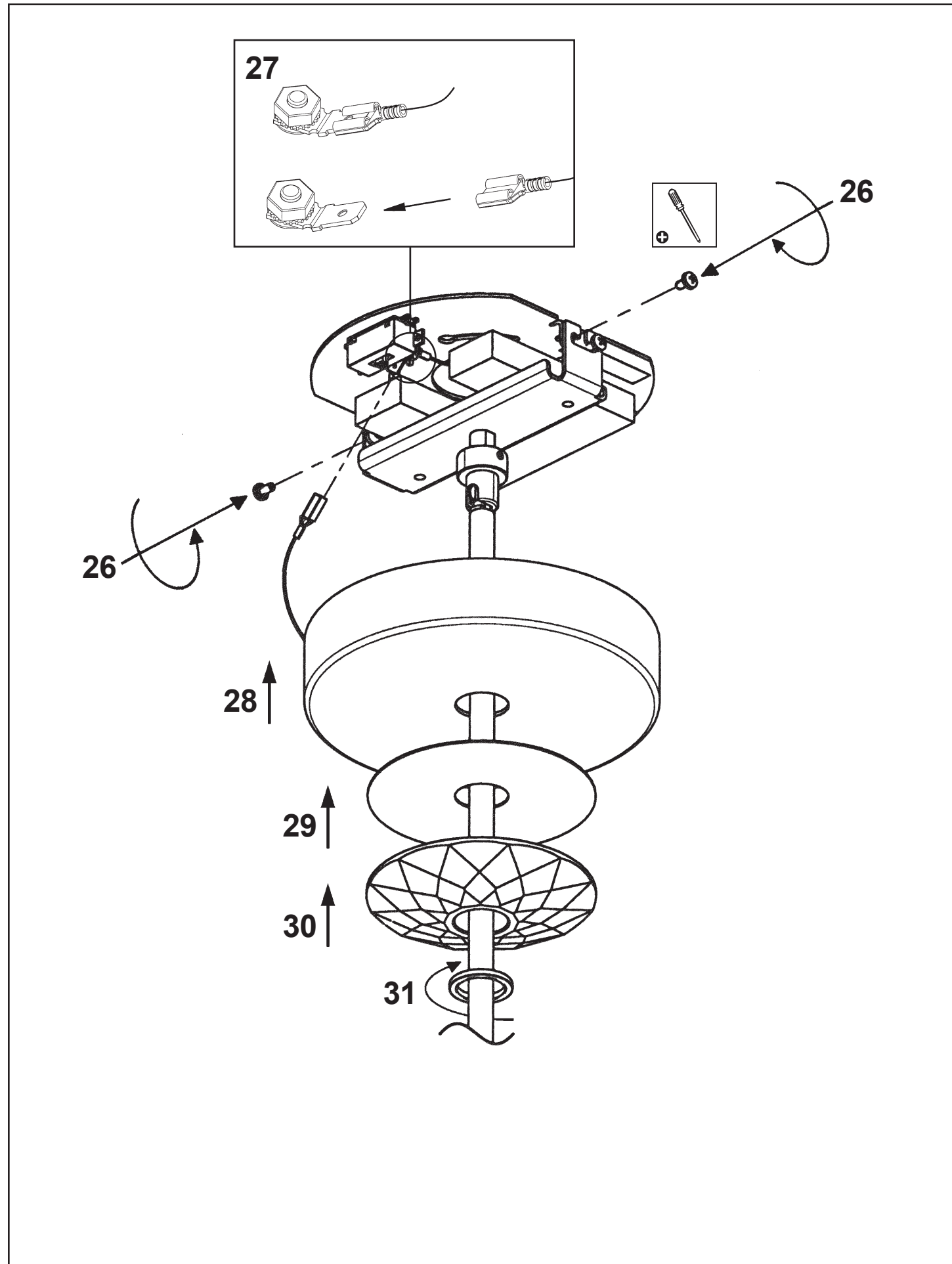
NOTE:
LOOSEN 1 SCREW, ON
EACH SIDE OF MOUNTING
WASHER, AND REMOVE
THE OTHER (SET ASIDE)

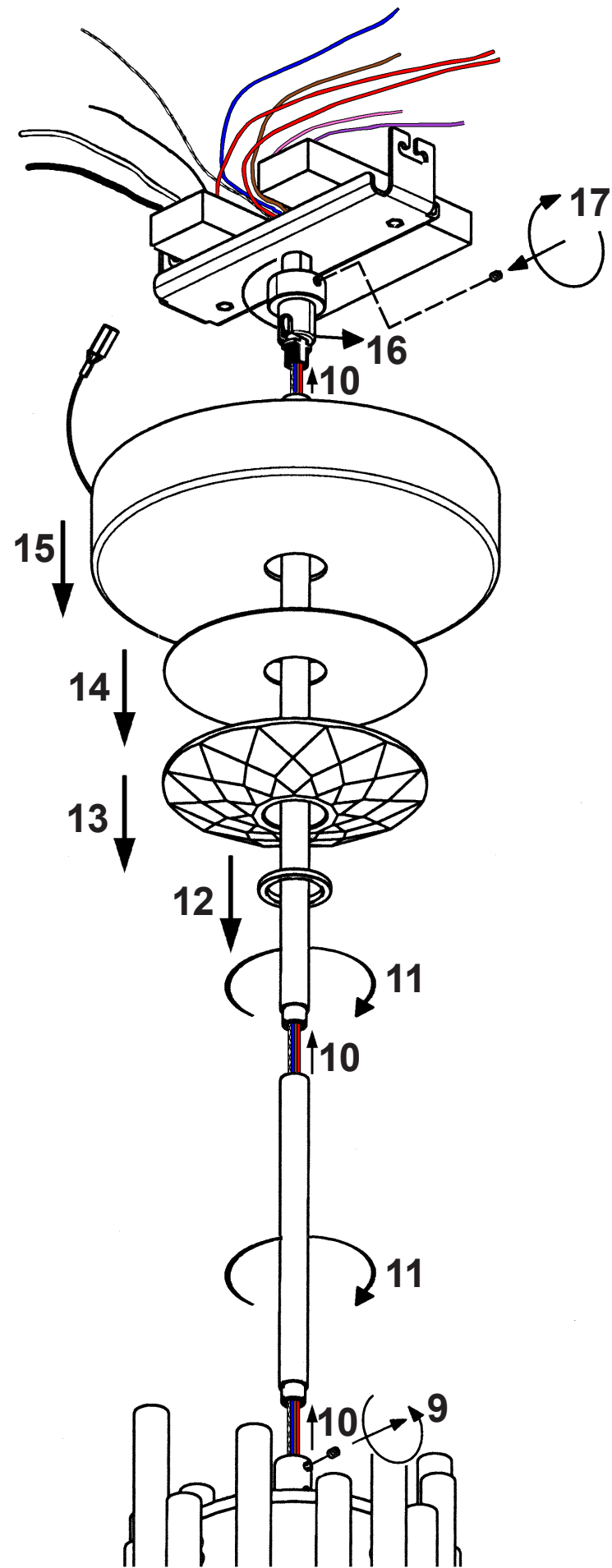


8 X  : SWL2310-ORING

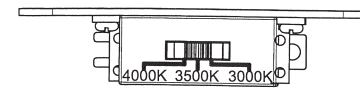


NOTE: ALTERNATE INSTALLING
23AS0215-121/1 AND 23AS0215-123/1





19 SELECT DESIRED LED
COLOR TEMPERATURE
**NOTE: FIXTURE POWER MUST
BE OFF BEFORE CHANGING
THE CCT SETTING.**



3000K = WARM
3500K = WARM/NATURAL
4000K = NATURAL

