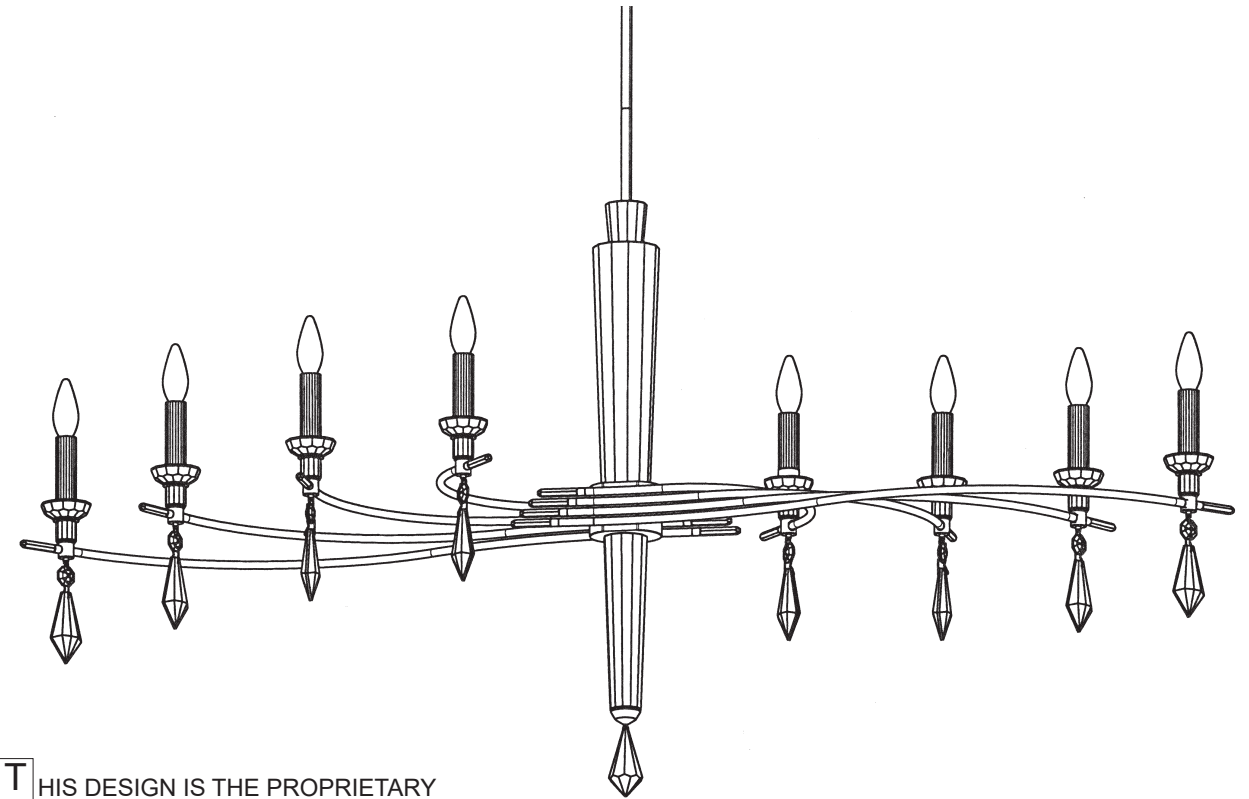


SCHONBEK  
*Signature*<sup>TM</sup>

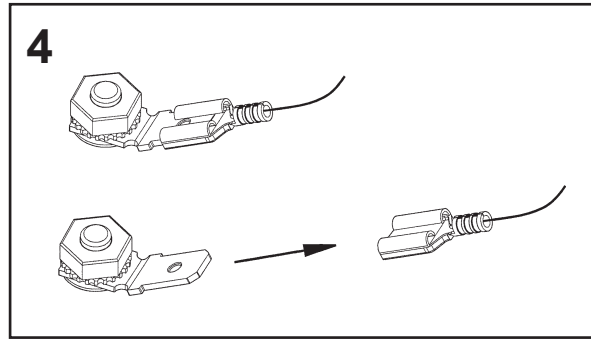
TEMPEST  
S5608- \_\_\_\_ / \_\_\_\_ R



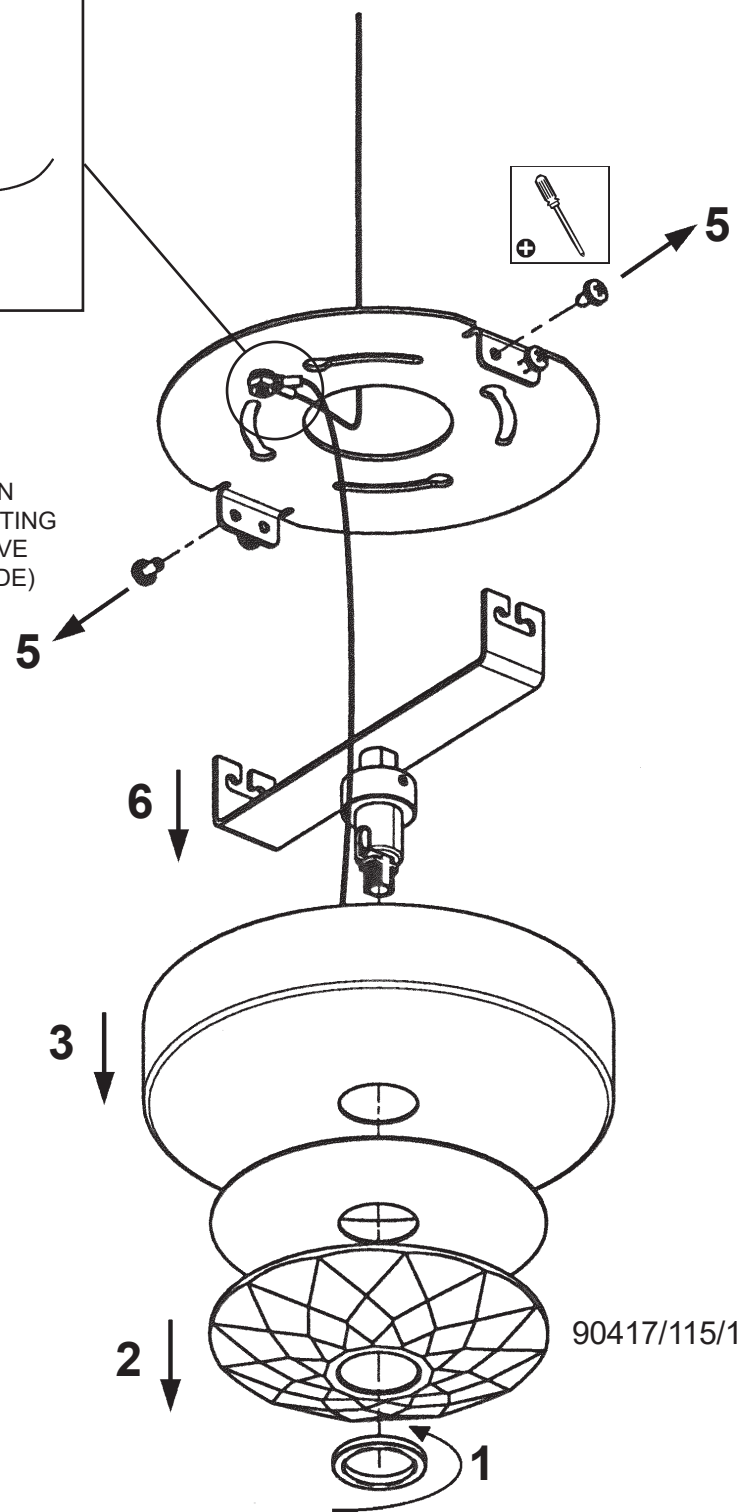
**T**HIS DESIGN IS THE PROPRIETARY  
TRADE DRESS/TRADEMARK OF  
W SCHONBEK LLC.

SCHONBEK  
*Signature*<sup>TM</sup>

MAX 60 W	110-120 V							



**NOTE:**  
 LOOSEN 1 SCREW, ON  
 EACH SIDE OF MOUNTING  
 WASHER, AND REMOVE  
 THE OTHER (SET ASIDE)



You will need 8 - B10  
 25 Watts Recommended  
 60 Watts Max

