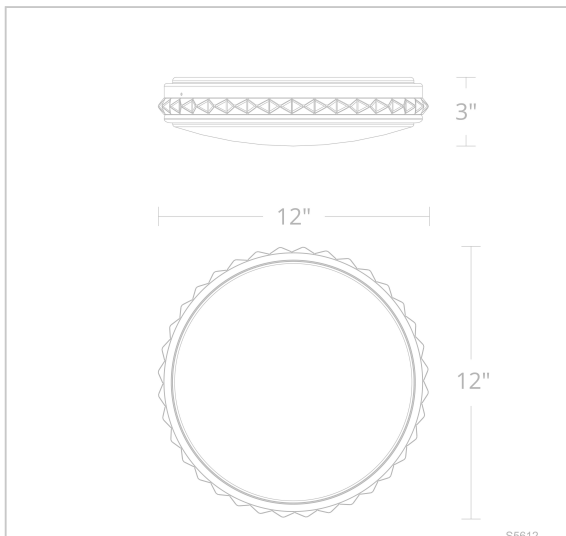


# Kristally

S9912



## LINE DRAWING



## DESCRIPTION

Bring an element of luxury to your space with Kristally, a stunning luminaire that combines dual layers of exquisite crystal encased within lustrous metal bands. This modern masterpiece radiates a halo of brilliant illumination, courtesy of integrated LEDs ingeniously refracted through precision optics, creating a mesmerizing spectacle of sparkling light points.

## FEATURES

- Radiance™ Crystal Dust diffuser
- 4CCT adjustability switch. Set from 3000K/3500K/4000K/5000K
- Driver concealed within the fixture

## CRYSTAL OPTIONS



Radiance  
Crystal Dust  
(RD)

## FINISH OPTIONS



Black  
(-18)



Aged Brass  
(-700)

## SPECIFICATIONS

<b>Light Source</b>	LED
<b>CRI</b>	90
<b>Dimming</b>	ELV, Triac
<b>Standards</b>	ETL/cETL, Title 24

## REPLACEMENT PARTS

RPL-GLA-9912 - Replacement Glass

Model	Finish	Crystal	Size	CCT	Weight	Voltage	Wattage	LED Lumens	Delivered Lumens
S9912	- 18 - 700	RD	12"	3000K/3500K/ 4000K/5000K	8.7lbs	120V	28W	2400	Up To 1700

Example: S9912-18R

Kristally

[schonbek.com](http://schonbek.com)  
Phone (800) 836.1892 | Fax: (518) 563.4228

Headquarters/Eastern Distribution Center  
61 Industrial Blvd, Plattsburgh, NY 12901