

SCHONBEK

1870

ARABESQUE VX1012N-__ __H



THIS DESIGN IS THE PROPRIETARY TRADE DRESS/TRADEMARK OF SWAROVSKI LIGHTING, LTD.

12 Lights
Diameter: 39-1/2"
Height: 32"
Hanging Weight: 25lbs.

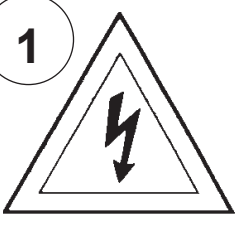
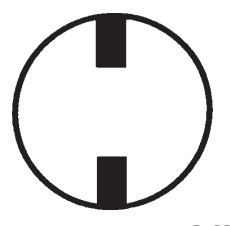
SCHONBEK

1870

MAX 60 W	110-120 V							

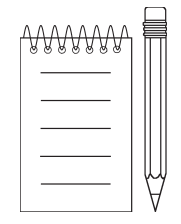
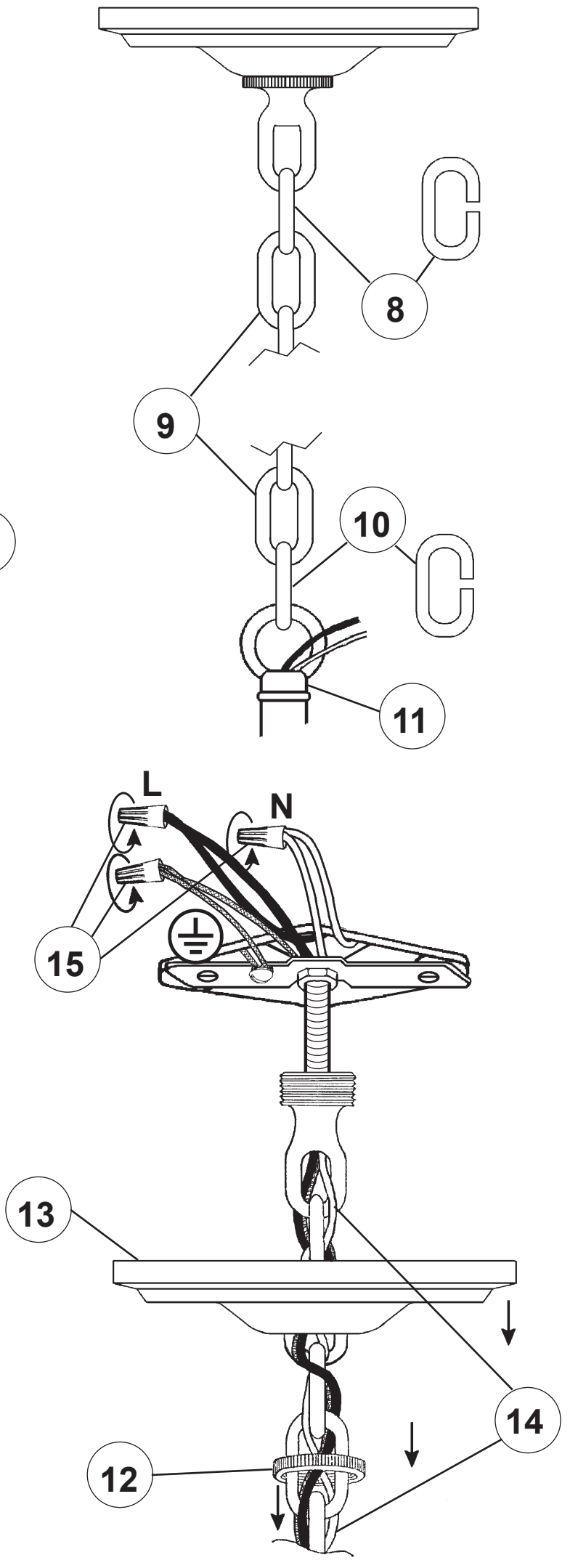
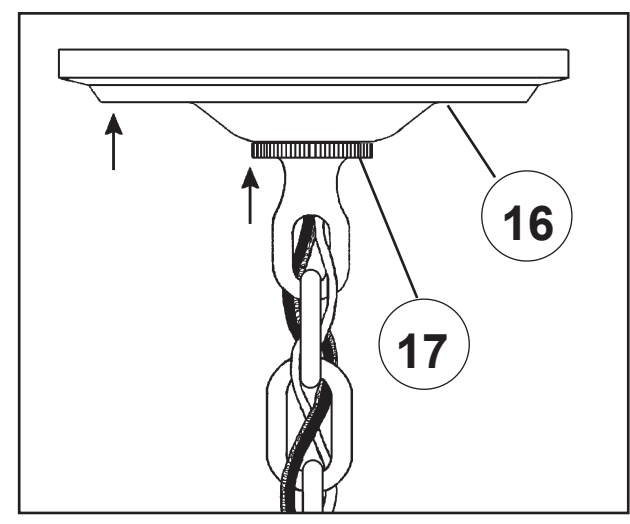
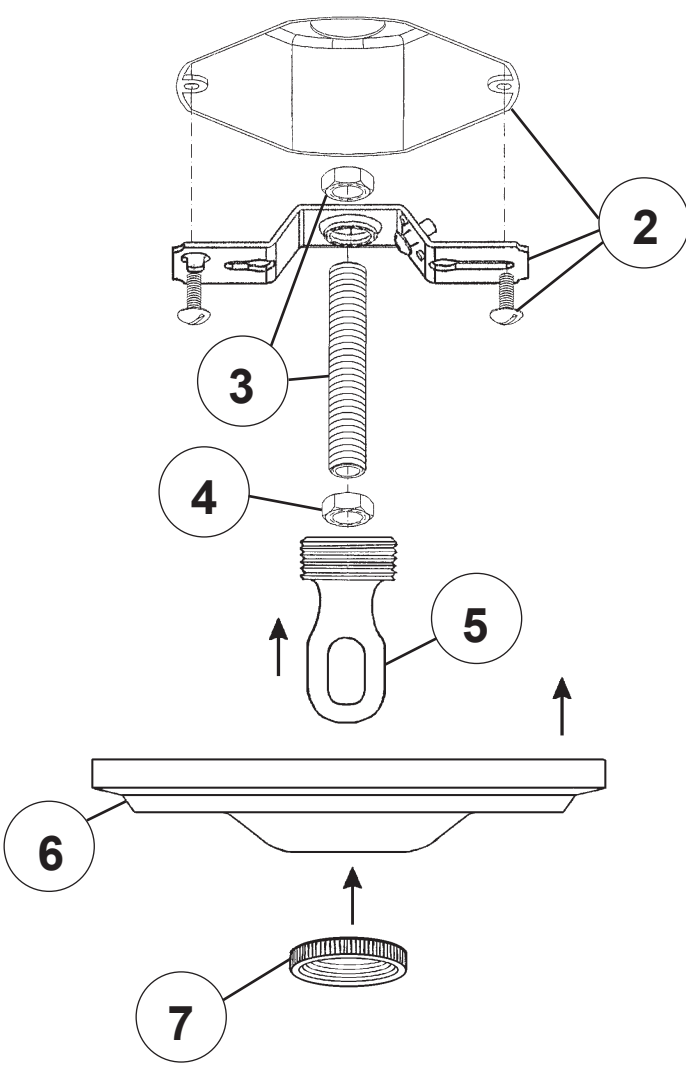
SCHONBEK® is a member of the Swarovski group.

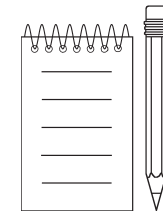
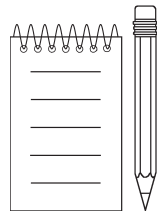
WARNING:

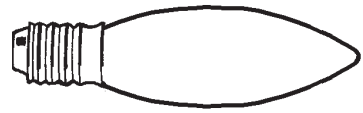
1  

Electrical Danger Turn Power Off

All electrical components must be installed by a licensed electrician in accordance with the National Electric Code and the appropriate local electrical codes.







You will need 12 - B10
60 Watts Max

Install bulbs and be sure to
test fixture **BEFORE**
trimming.

