



SCHONBEK®

SONATINA ST1949N- __ __ H



12 Lights
Diameter: 34"
Height: 34"
Hanging Weight: 36lbs.

THIS DESIGN IS THE PROPRIETARY
TRADE DRESS/TRADEMARK OF
SWAROVSKI LIGHTING, LTD.

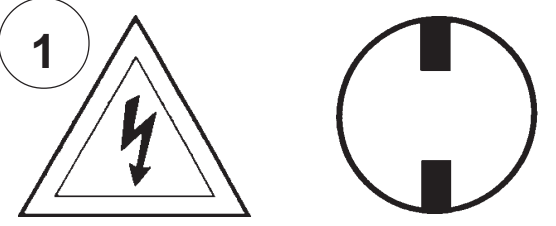


SCHONBEK®

MAX <u>60</u> W		110-120 V					

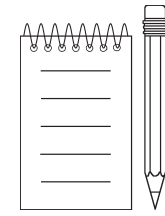
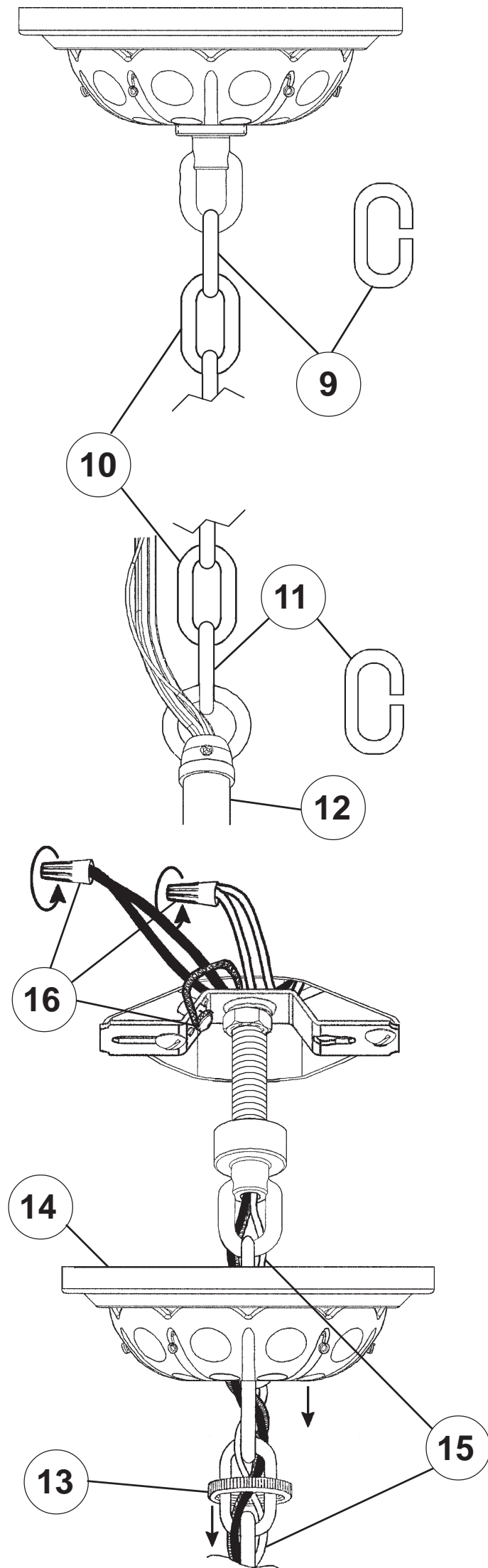
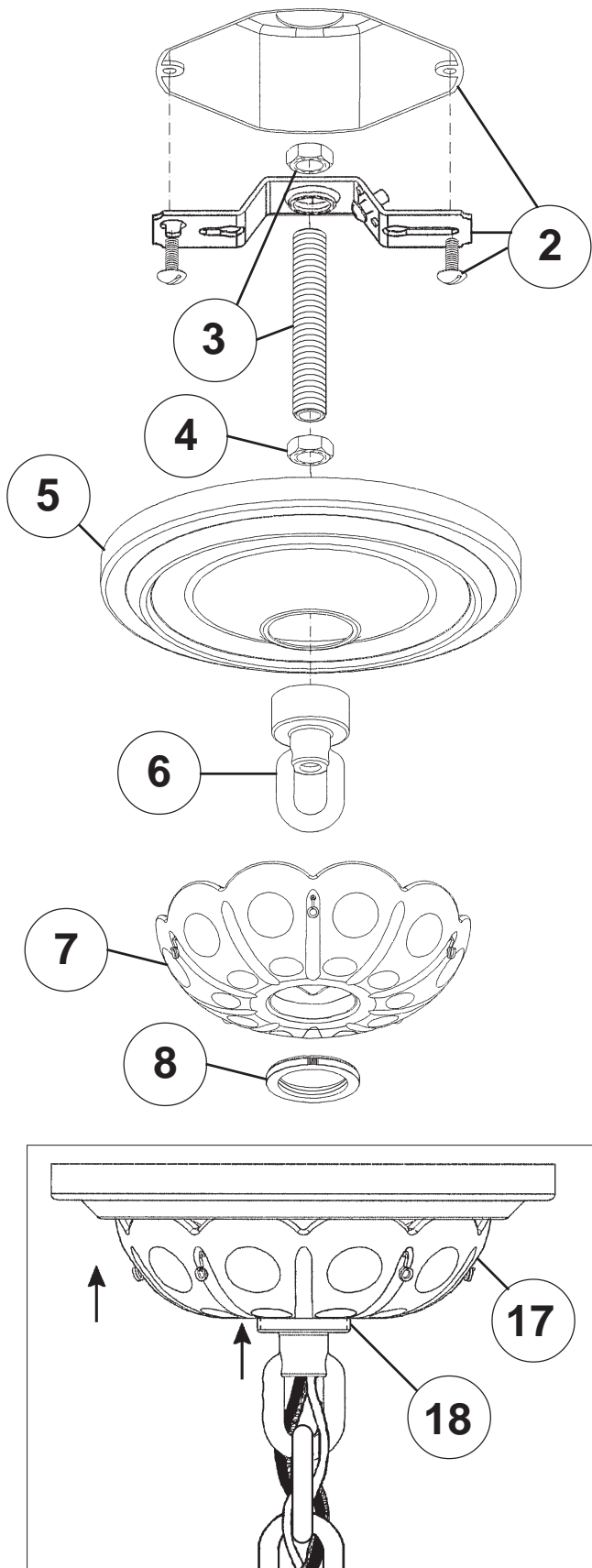
SCHONBEK® is a member of the Swarovski group.

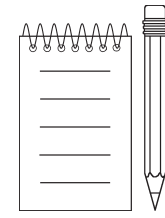
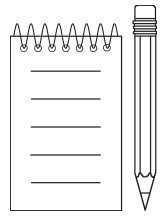
WARNING:

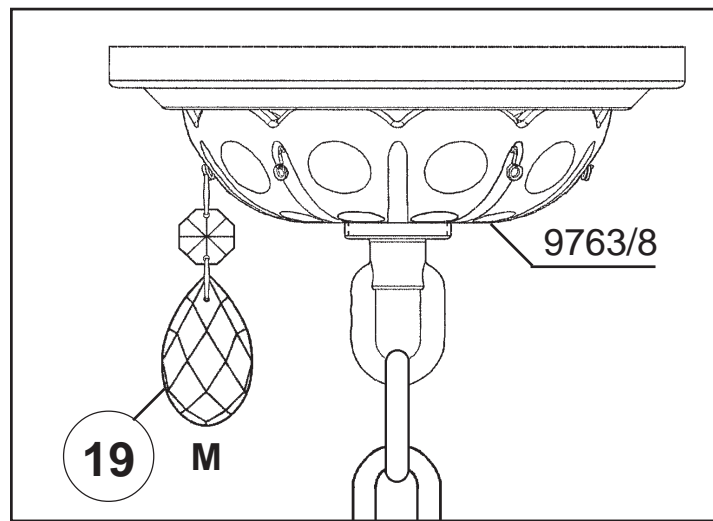
1 

Electrical Danger Turn Power Off

All electrical components must be installed by a licensed electrician in accordance with the National Electric Code and the appropriate local electrical codes.








20

You will need 12 - B10
25 Watts Recommended
60 Watts Max

**Install bulbs and be
sure to test fixture
BEFORE trimming.**

