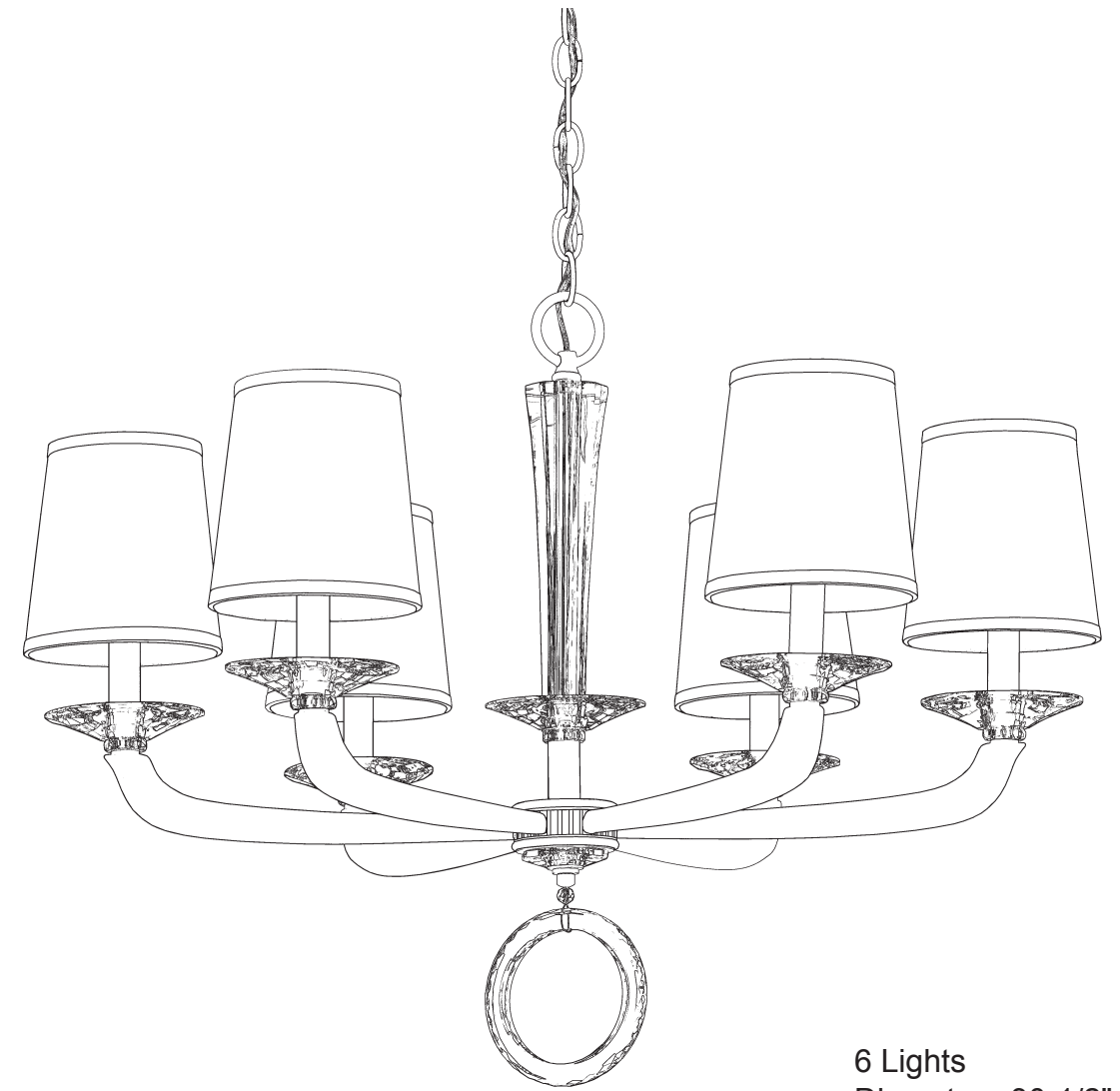




SCHONBEK®

EMILEA MA1006N- __ __ O



THIS DESIGN IS THE PROPRIETARY TRADE DRESS/TRADEMARK OF SWAROVSKI LIGHTING, LTD.

6 Lights
Diameter: 30-1/2"
Height: 22-1/2"
Hanging Weight: 21lbs.

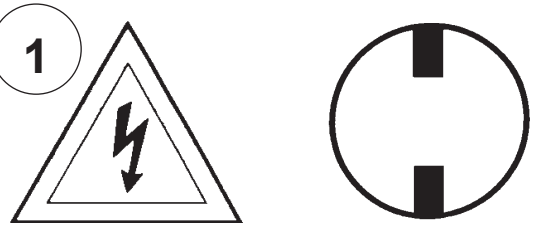


SCHONBEK®

MAX 40 W	110-120 V							

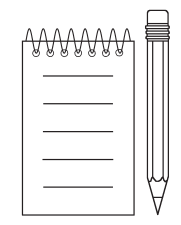
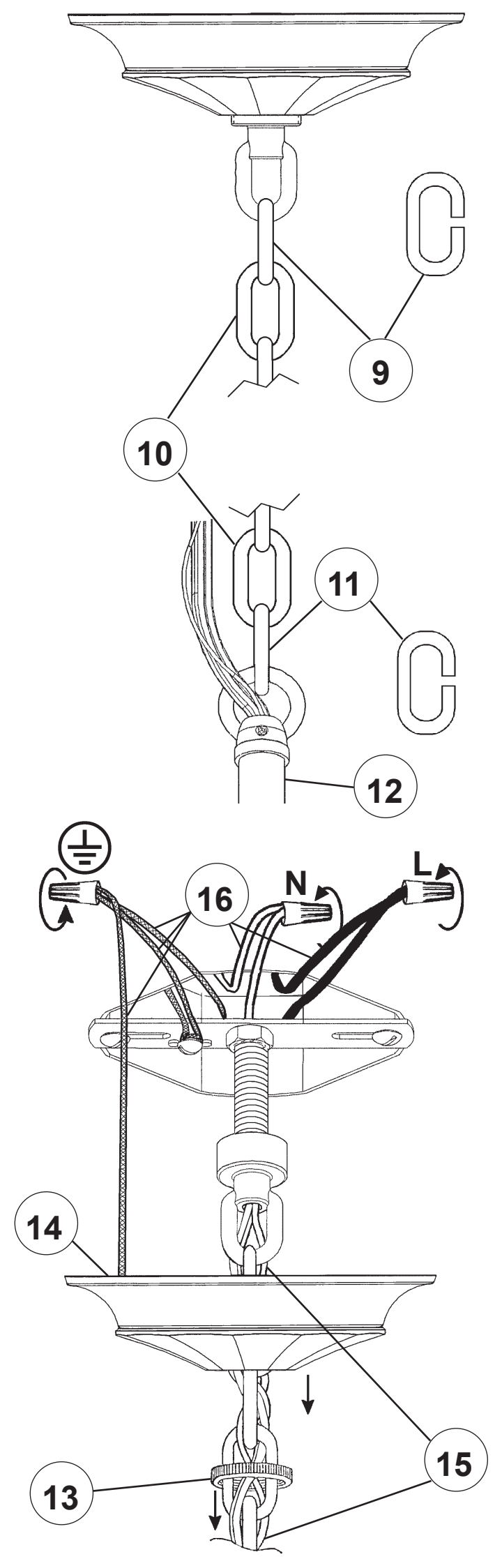
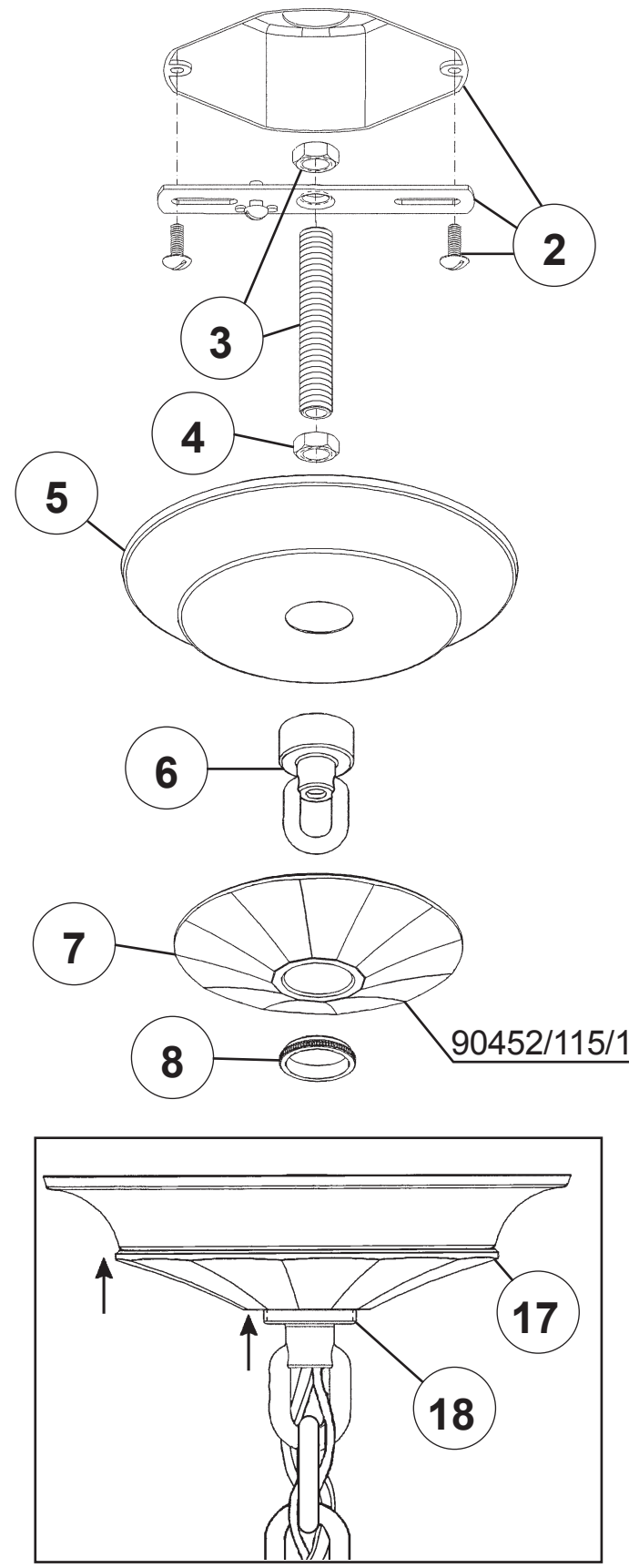
SCHONBEK® is a member of the Swarovski group.

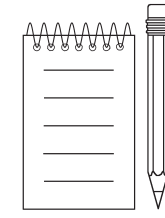
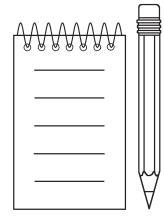
WARNING:

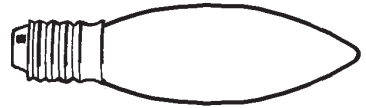
1 

Electrical Danger Turn Power Off

All electrical components must be installed by a licensed electrician in accordance with the National Electric Code and the appropriate local electrical codes.







You will need 6 - B10
25 Watts Recommended
40 Watts Max

Install bulbs and be sure
to test fixture **BEFORE**
trimming.

