



**SCHONBEK®**

**GENZANO GE4712N- \_\_ \_\_ H**



12 Lights  
Diameter: 43"  
Height: 35-1/2"  
Hanging Weight: 88lbs.

**T**HIS DESIGN IS THE PROPRIETARY  
TRADE DRESS/TRADEMARK OF  
SWAROVSKI LIGHTING, LTD.



**SCHONBEK®**



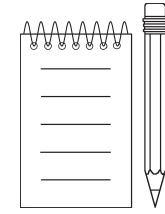
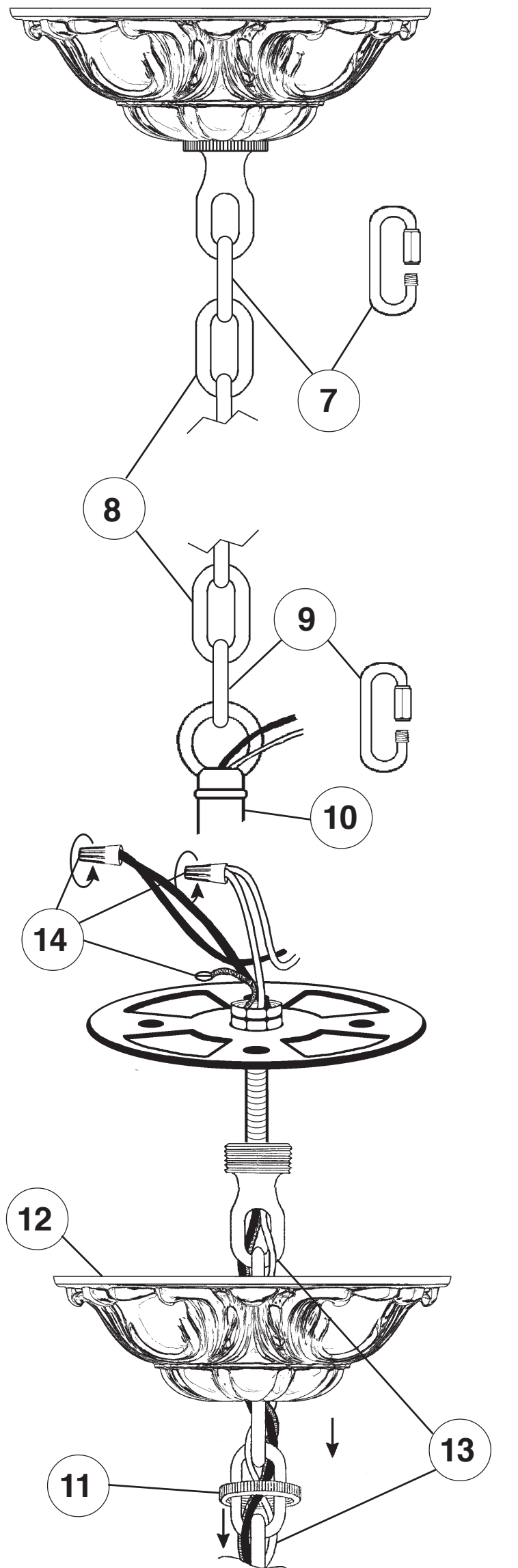
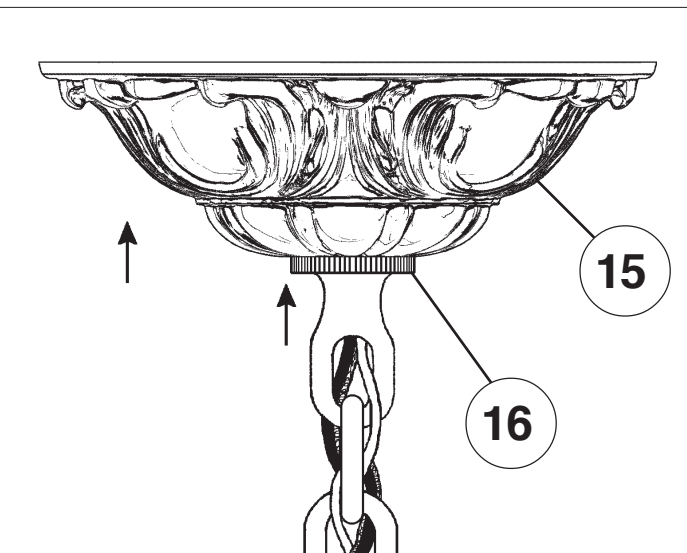
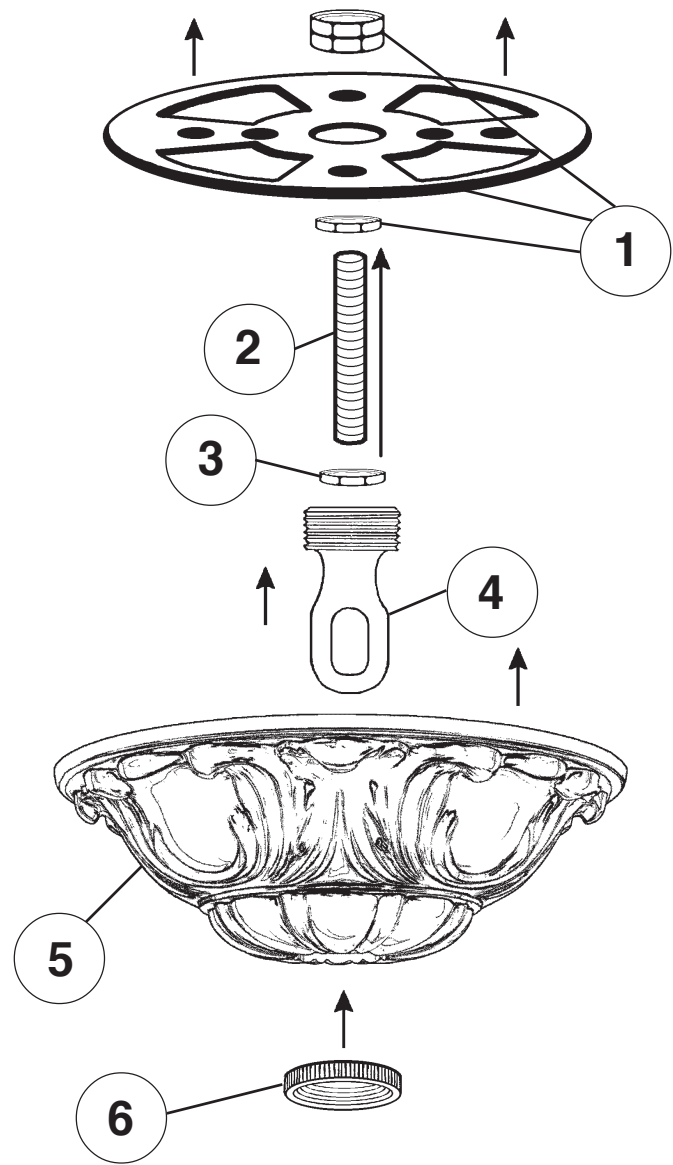
MAX 60 W

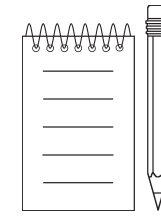
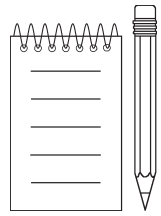
110-120 V

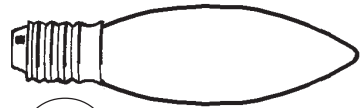
SCHONBEK® is a member of the Swarovski group.

All electrical components must be installed by a licensed electrician in accordance with the National Electric Code and the appropriate local electrical codes.

**WARNING:** THIS LUMINAIRE MUST BE MOUNTED OR SUPPORTED INDEPENDENTLY OF AN OUTLET BOX.







17

You will need 12 - B10  
25 Watts Recommended  
60 Watts Max

Install bulbs and be sure  
to test fixture BEFORE  
trimming.

NOTE: CHAIN "C"  
SWAGS FROM PIGTAIL  
ON "B" TO PIGTAIL ON  
"E".

