



**SCHONBEK®**

**FILIGRAE FE7010N- \_\_ \_\_A**



10 Lights  
Diameter: 32-1/2"  
Height: 27-1/2"  
Hanging Weight: 27lbs.

**T**HIS DESIGN IS THE PROPRIETARY  
TRADE DRESS/TRADEMARK OF  
SWAROVSKI LIGHTING, LTD.

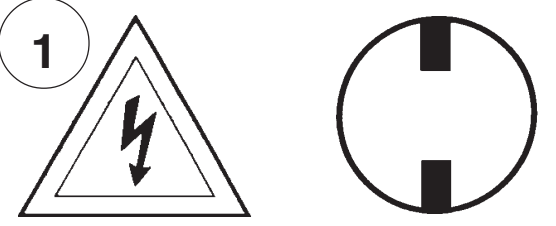


**SCHONBEK®**

MAX <u>60</u> W		110-120 V					

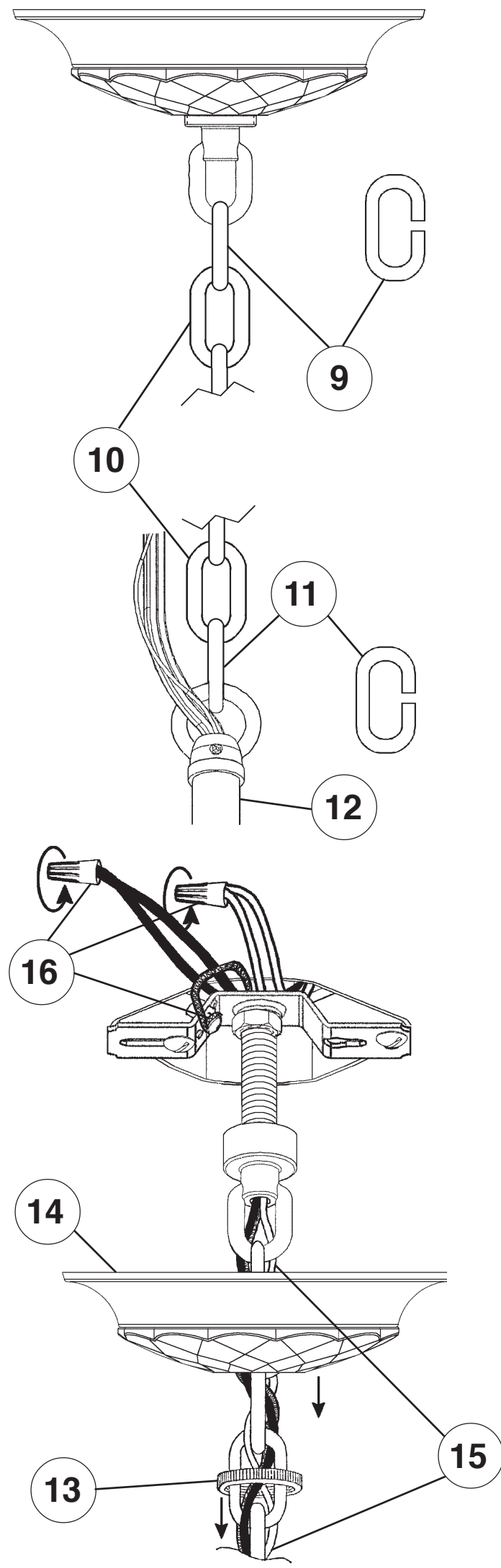
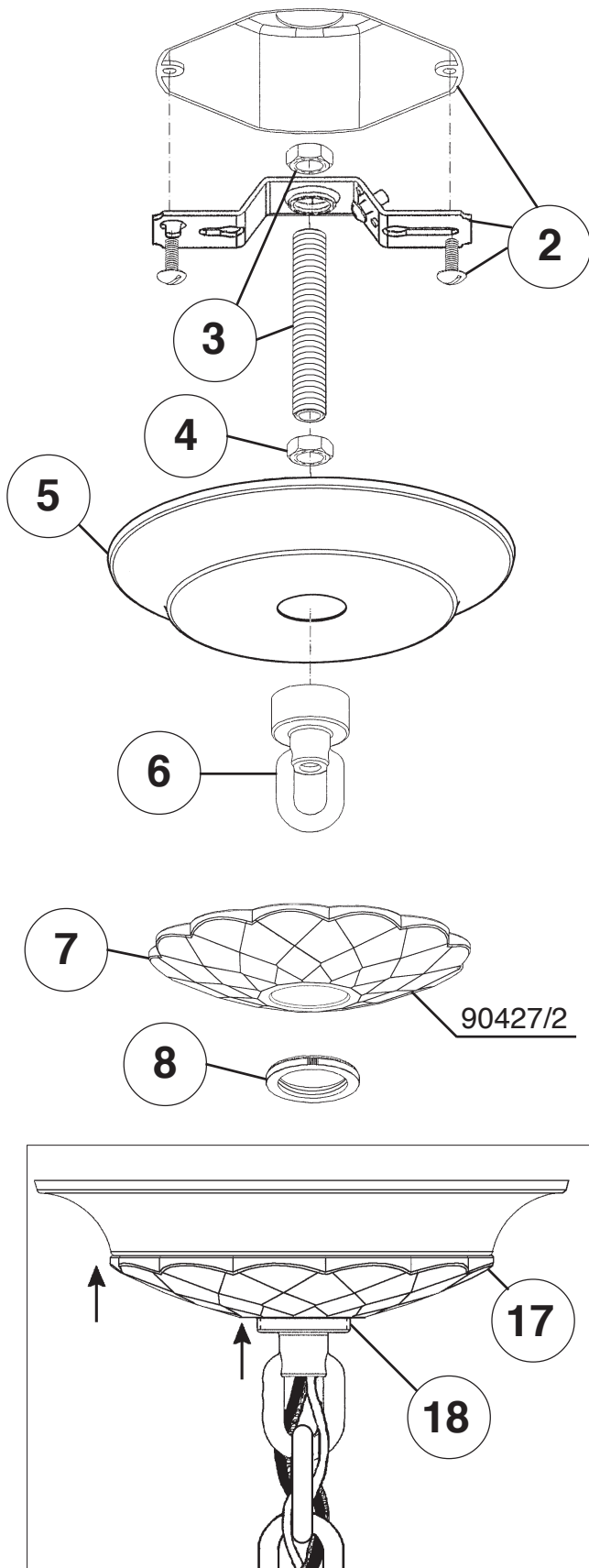
SCHONBEK® is a member of the Swarovski group.

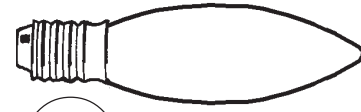
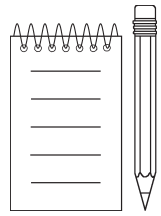
**WARNING:**

1 

**Electrical Danger Turn Power Off**

All electrical components must be installed by a licensed electrician in accordance with the National Electric Code and the appropriate local electrical codes.

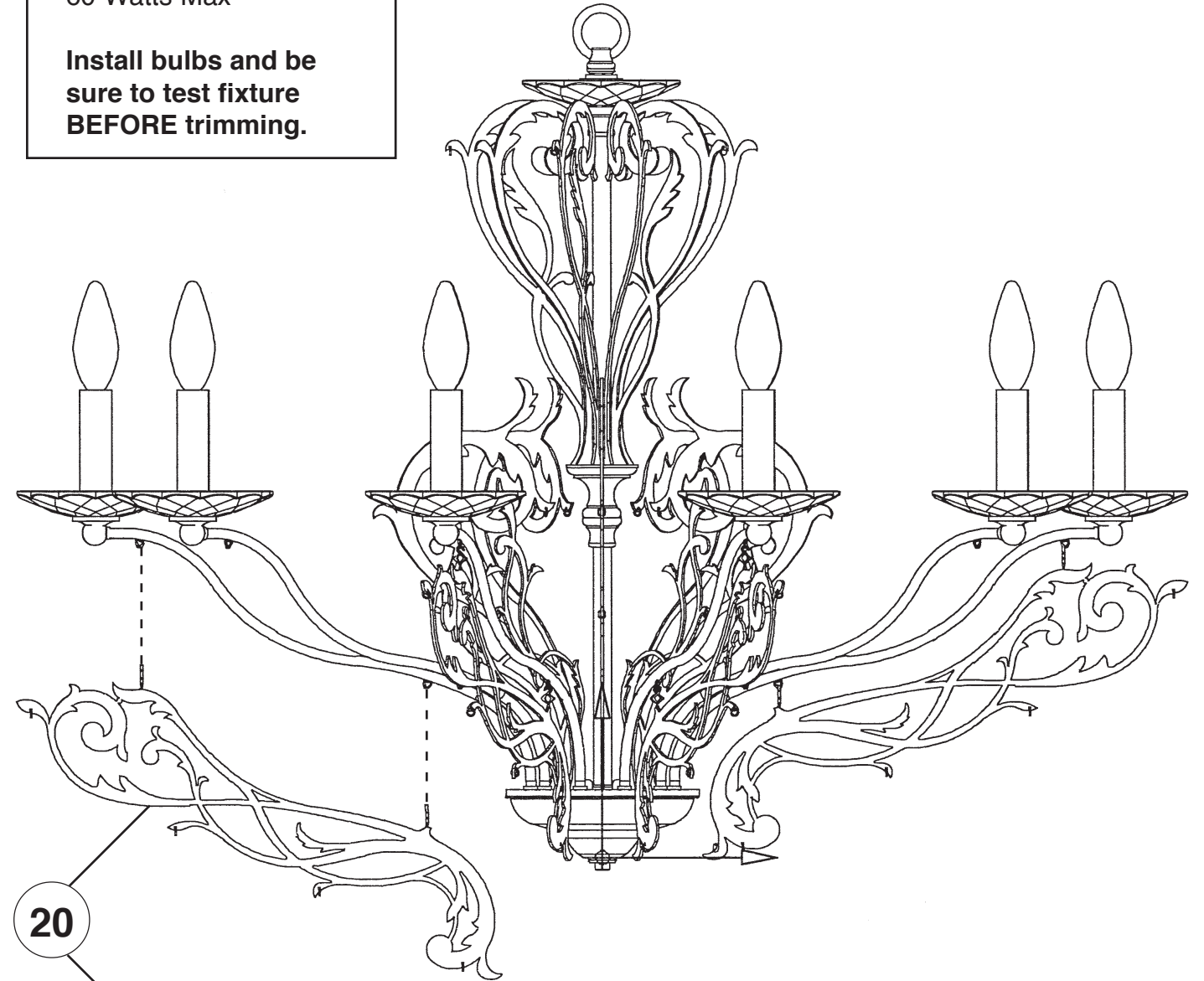




**19**

You will need 10 - B10  
25 Watts Recommended  
60 Watts Max

**Install bulbs and be  
sure to test fixture  
BEFORE trimming.**



**20**

