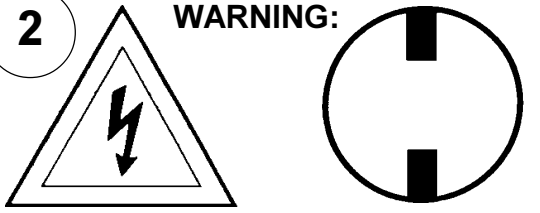


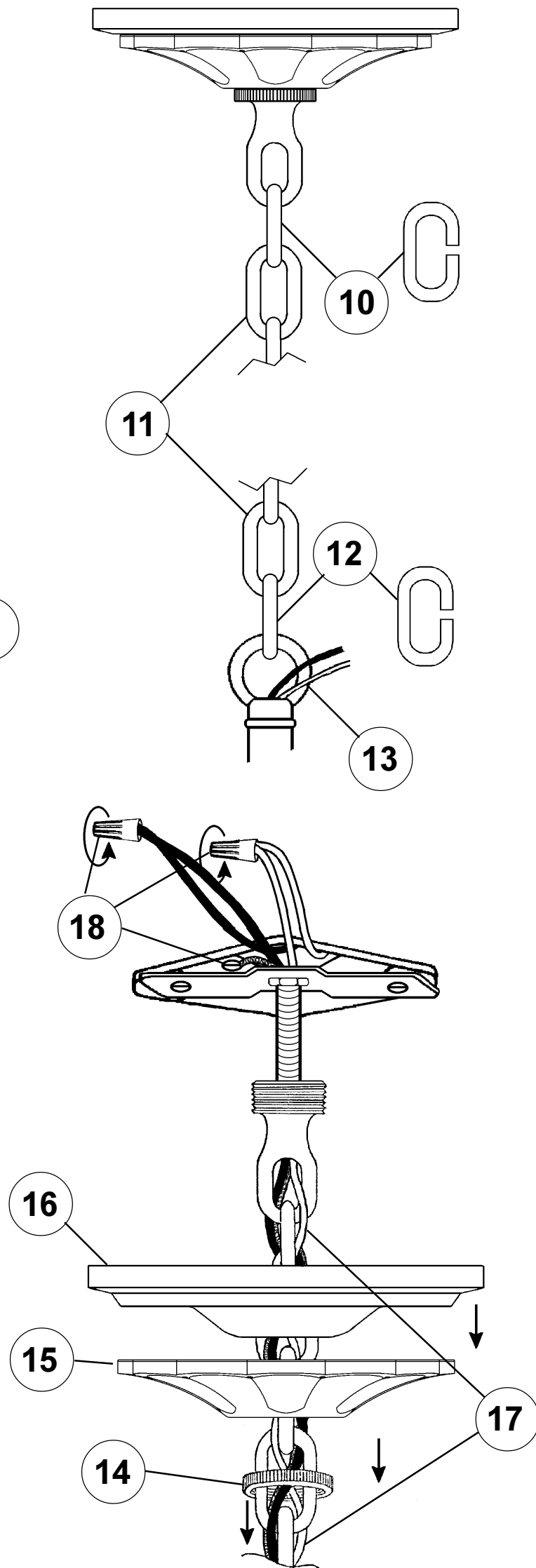
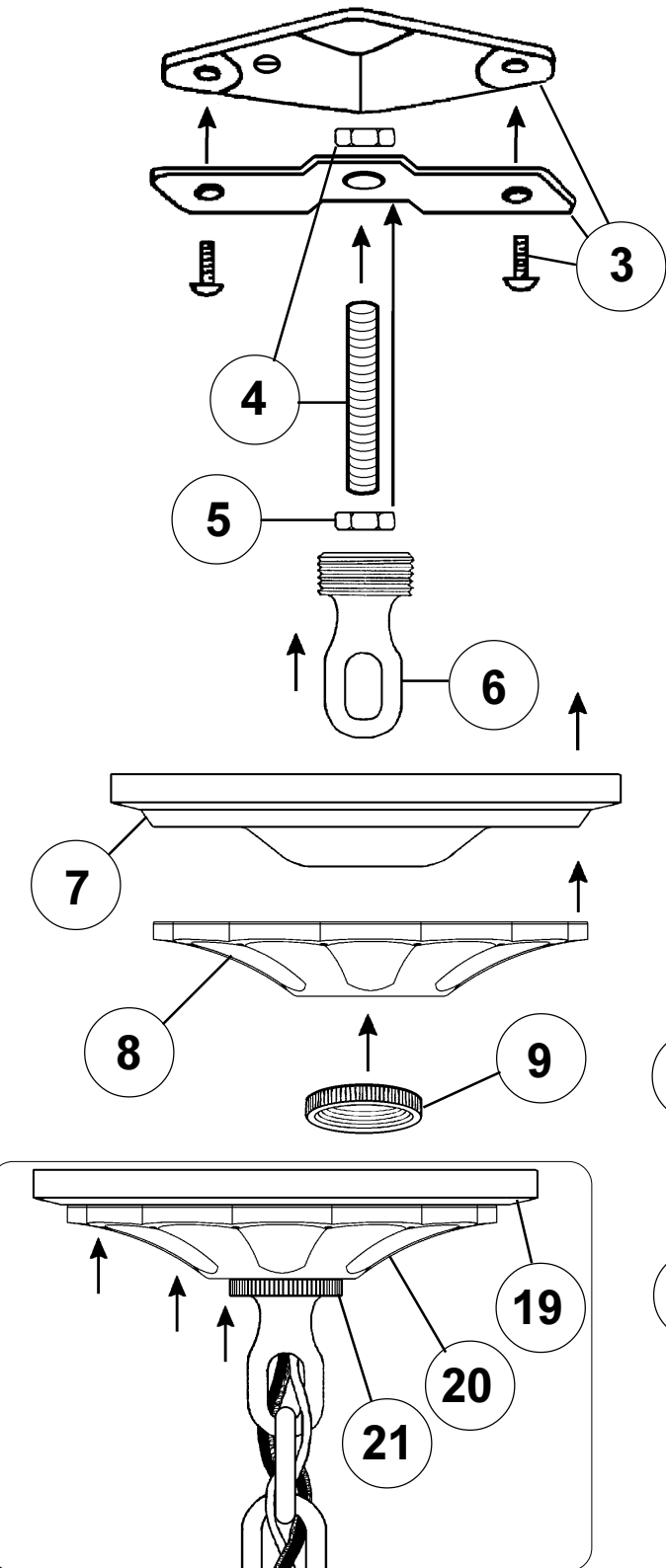
**Instructions for electrician**  
**STEPS 2 - 21**

**2** **WARNING:**



**Electrical Danger Turn Power Off**

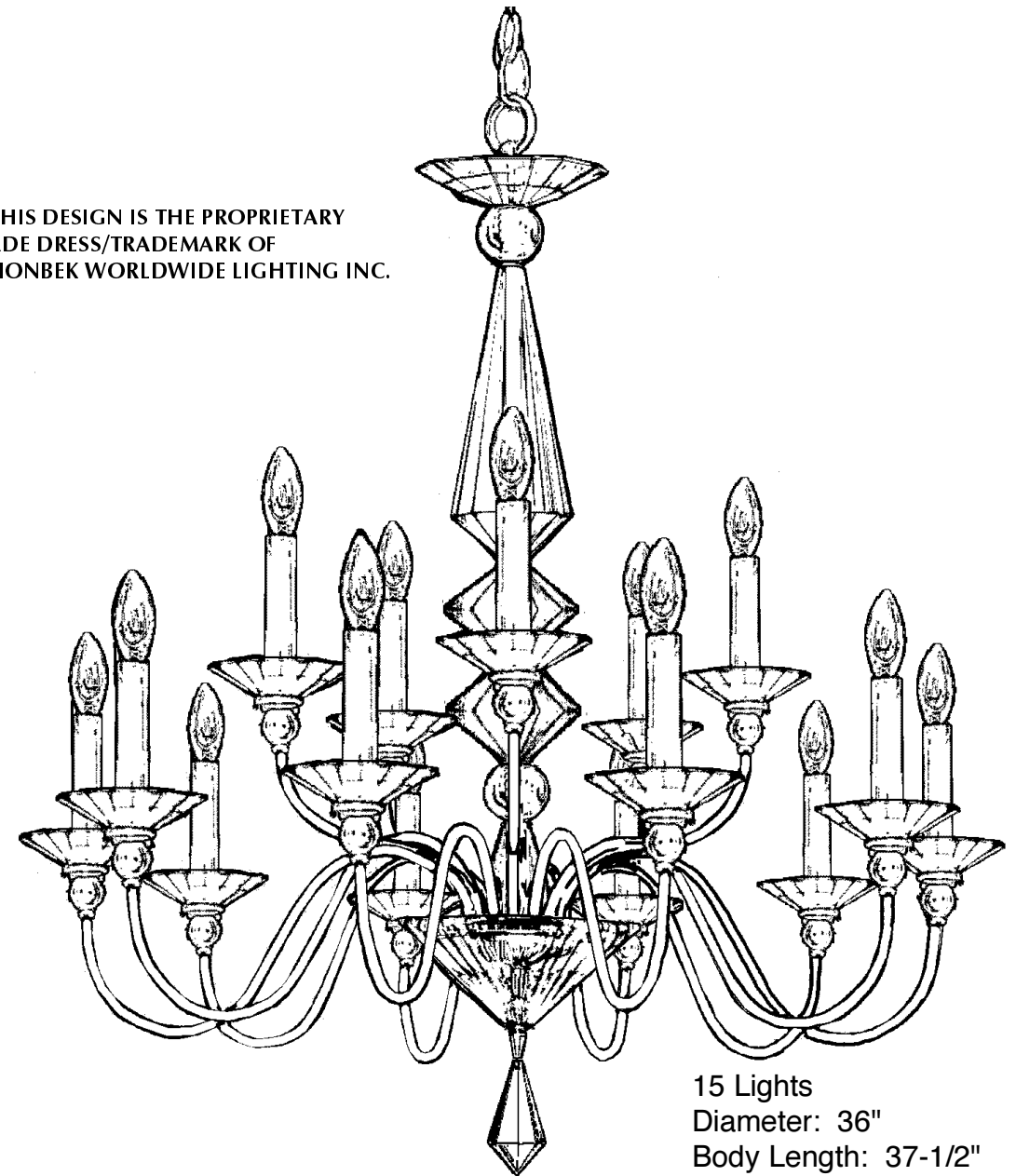
All electrical components must be installed by a licensed electrician in accordance with the National Electric Code and the appropriate local electrical codes.



**CHANDELIER 9685-\_\_\_\_\_ TRIM DIAGRAM**

(Finish Option) (Trim Option)

**T**HIS DESIGN IS THE PROPRIETARY TRADE DRESS/TRADEMARK OF SCHONBEK WORLDWIDE LIGHTING INC.



15 Lights  
Diameter: 36"  
Body Length: 37-1/2"  
Hanging Weight: 31 lbs.

**SCHONBEK®**

**See diagram on back page**  
**Follow steps in exact order**  
**Save this trim diagram for future reference**

**1** **IMPORTANT**  
*Person who opens carton should record the following information for future service.*

CODE # _____	Four-digit number on outside of carton.
PACKER # _____	See crystal package label.
ORDER # _____	See crystal package label.

SCHONBEK IS A WORLD LEADER IN CHANDELIER DESIGN. PATENTS INCLUDE:  
#D515,727 & #D515,728

