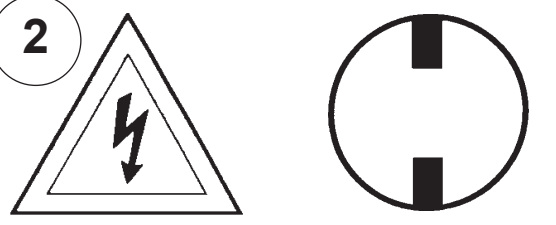
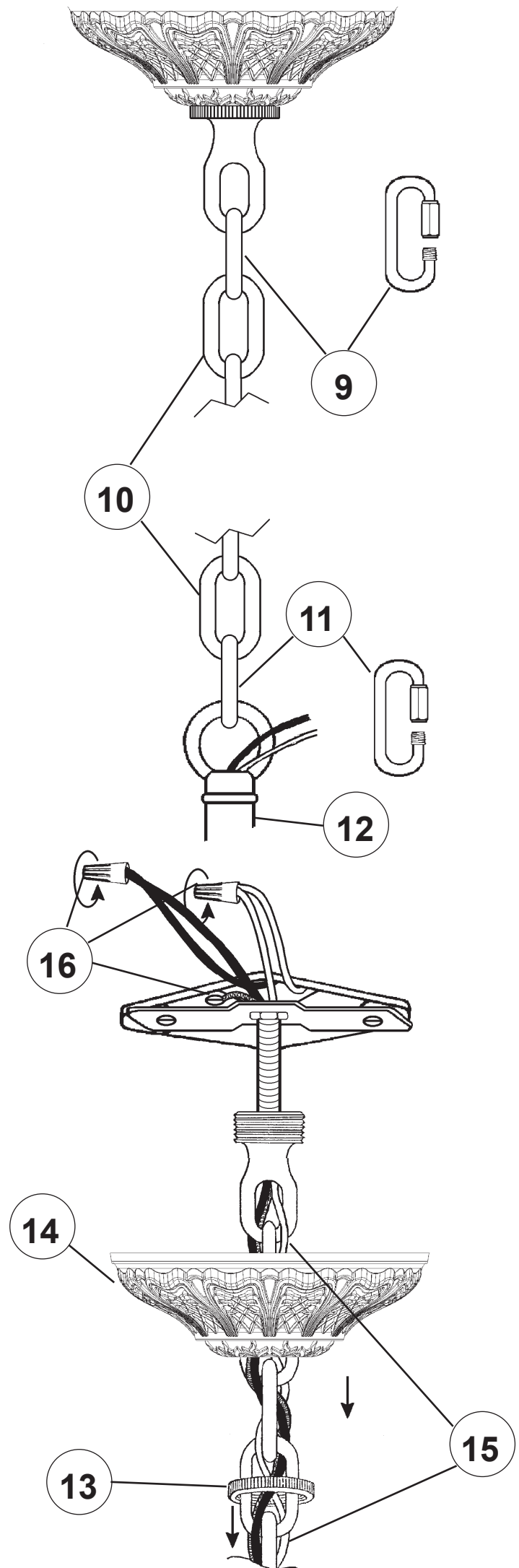
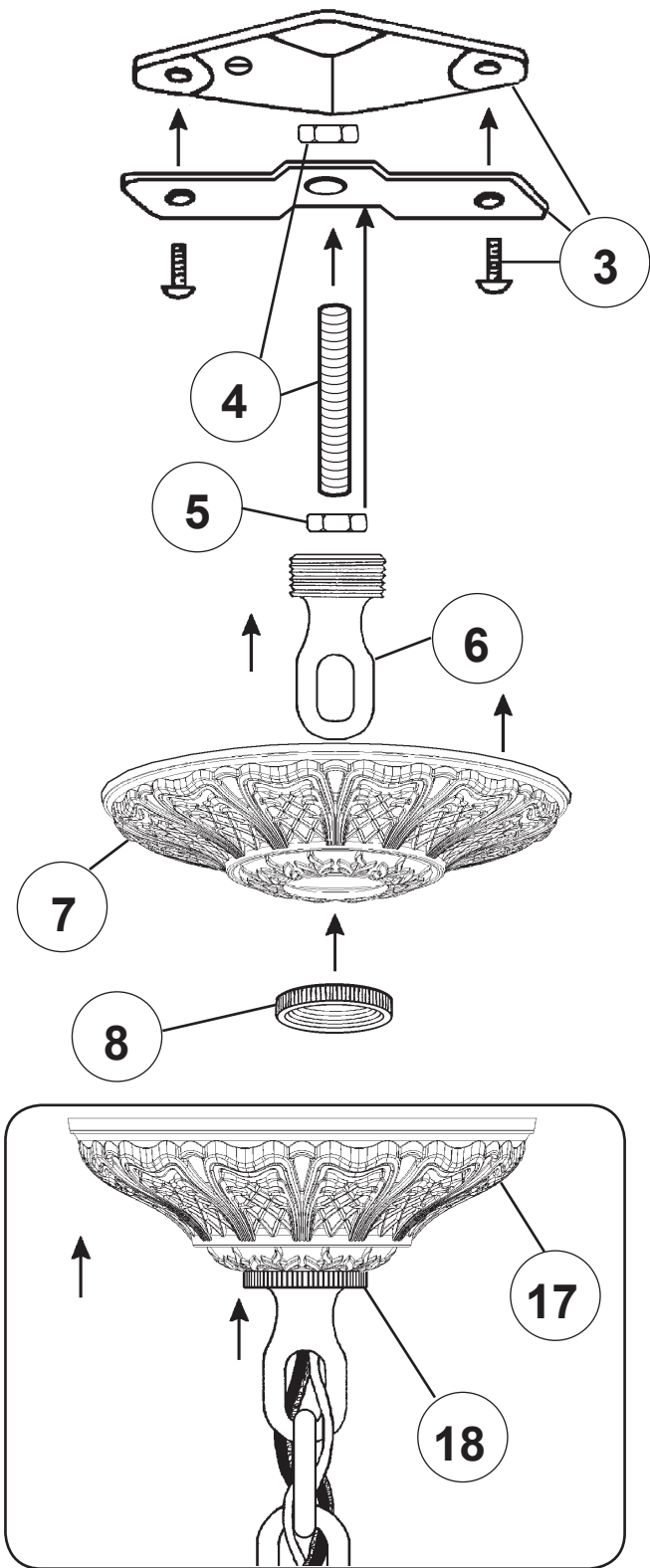


Instructions for electrician
STEPS 2 - 18

WARNING:

2  **Electrical Danger Turn Power Off**

All electrical components must be installed by a licensed electrician in accordance with the National Electric Code and the appropriate local electrical codes.



CHANDELIER 6959- _____ TRIM DIAGRAM

(Finish Option) (Trim Option)



10 + 5 Lights
Diameter: 31"
Body Length: 37-1/2"
Hanging Weight: 40 lbs.

THIS DESIGN IS THE PROPRIETARY TRADE DRESS/TRADemark OF SWAROVSKI LIGHTING, LTD.

SCHONBEK®

See diagram on back page
Follow steps in exact order
Save this trim diagram for future reference

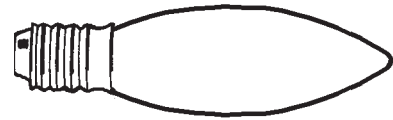
1 **IMPORTANT**
Person who opens carton should record the following information for future service.

CODE # _____ Four-digit number on outside of carton.
PACKER # _____ See crystal package label.
ORDER # _____ See crystal package label.



Instructions for crystal trimming

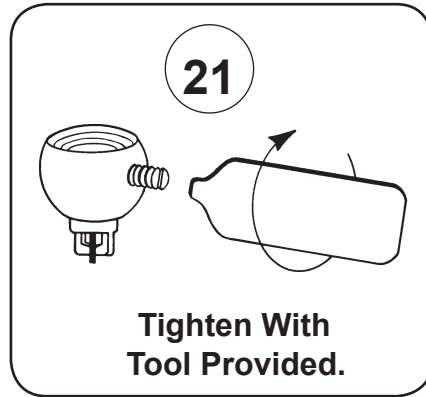
STEPS 19 - 36



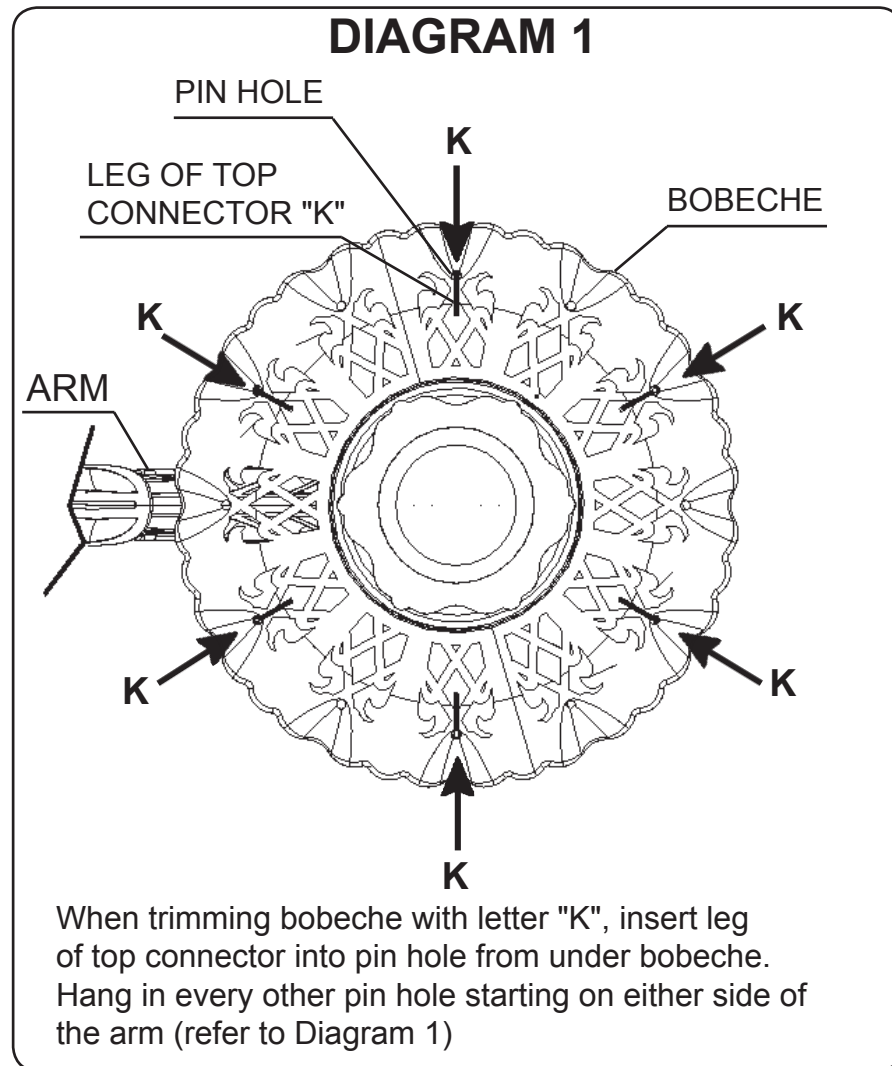
You will need 15 - B10
25 Watts Recommended
60 Watts Max

19

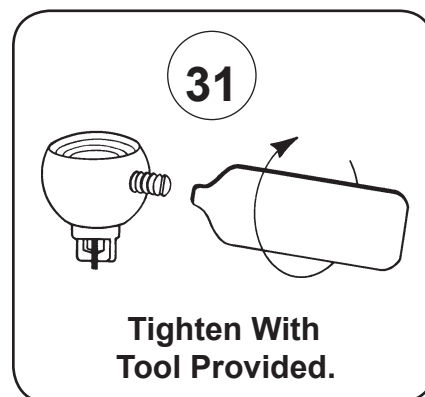
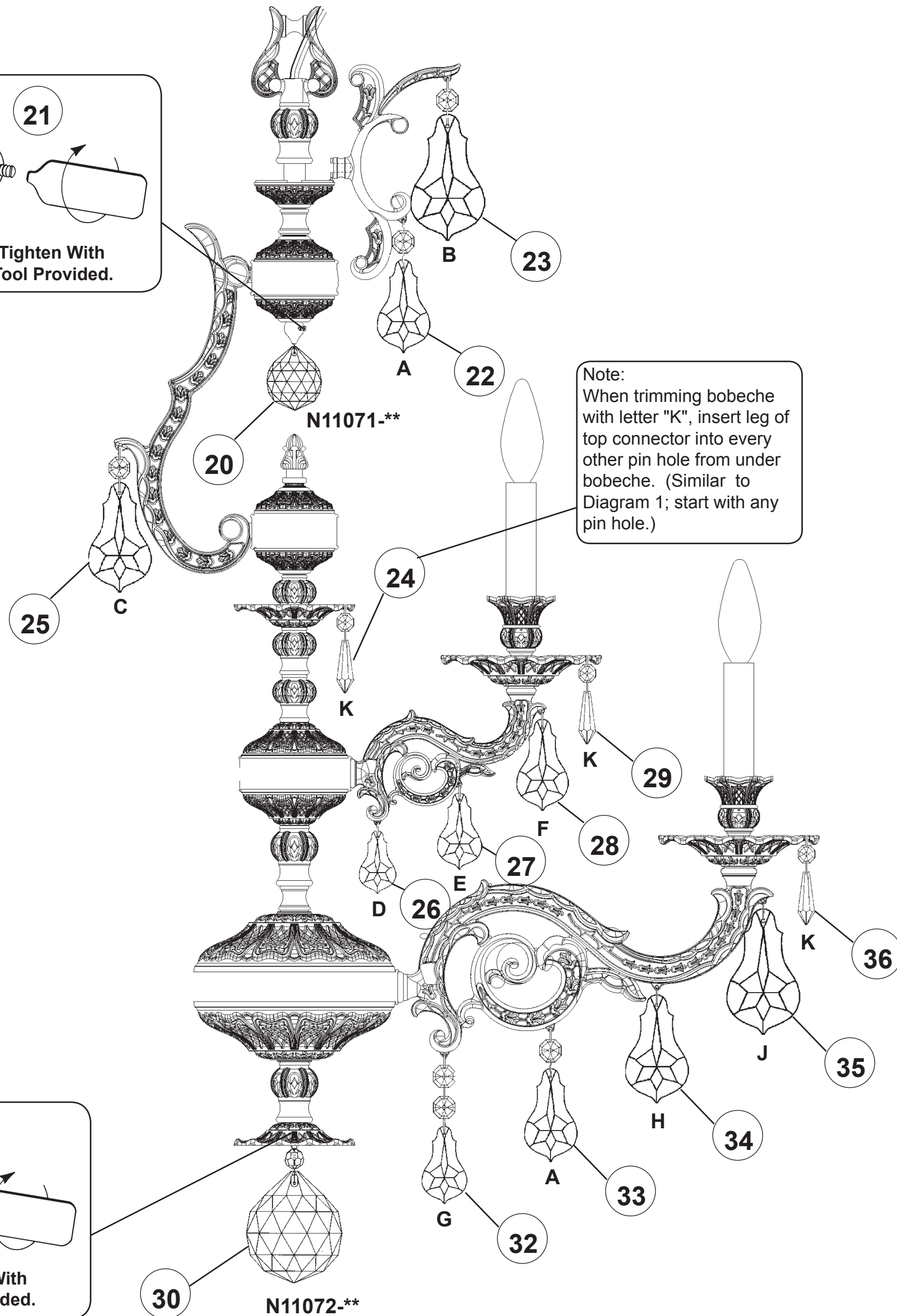
Install bulbs and be sure
to test fixture **BEFORE**
trimming.



21
Tighten With
Tool Provided.



Note:
When trimming bobèche
with letter "K", insert leg of
top connector into every
other pin hole from under
bobèche. (Similar to
Diagram 1; start with any
pin hole.)



31
Tighten With
Tool Provided.