



**SCHONBEK®**

**RENAISSANCE 3782- \_\_ \_\_ TK**



**T**HIS DESIGN IS THE PROPRIETARY TRADE DRESS/TRADemark OF SWAROVSKI LIGHTING, LTD.

16 + 1 Lights  
Diameter: 28"  
Body Length: 56-1/2"  
Hanging Weight: 74 lbs.



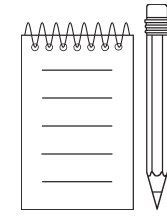
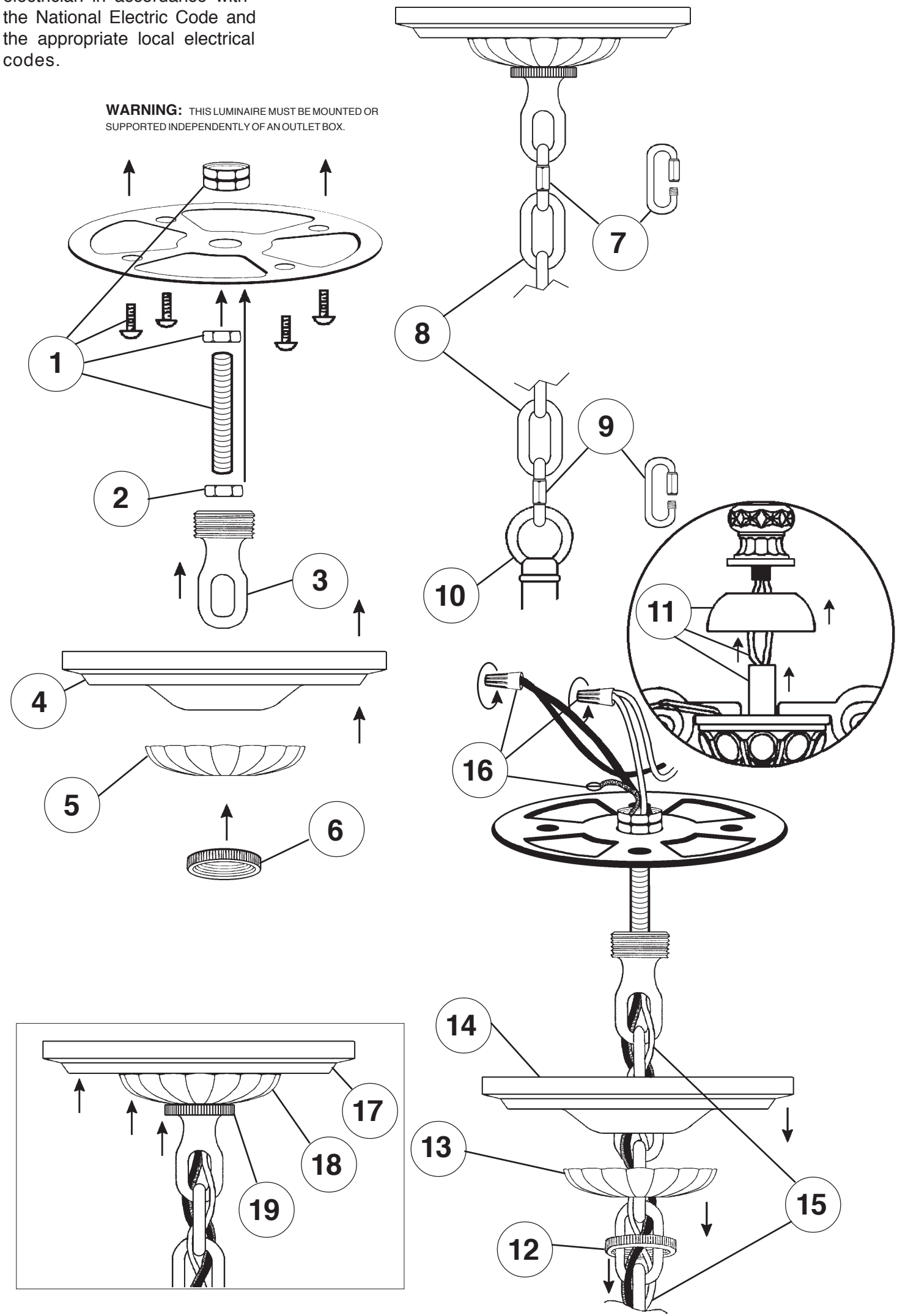
**SCHONBEK®**

MAX <u>60</u> W	MAX <u>15</u> W	110-120 V					

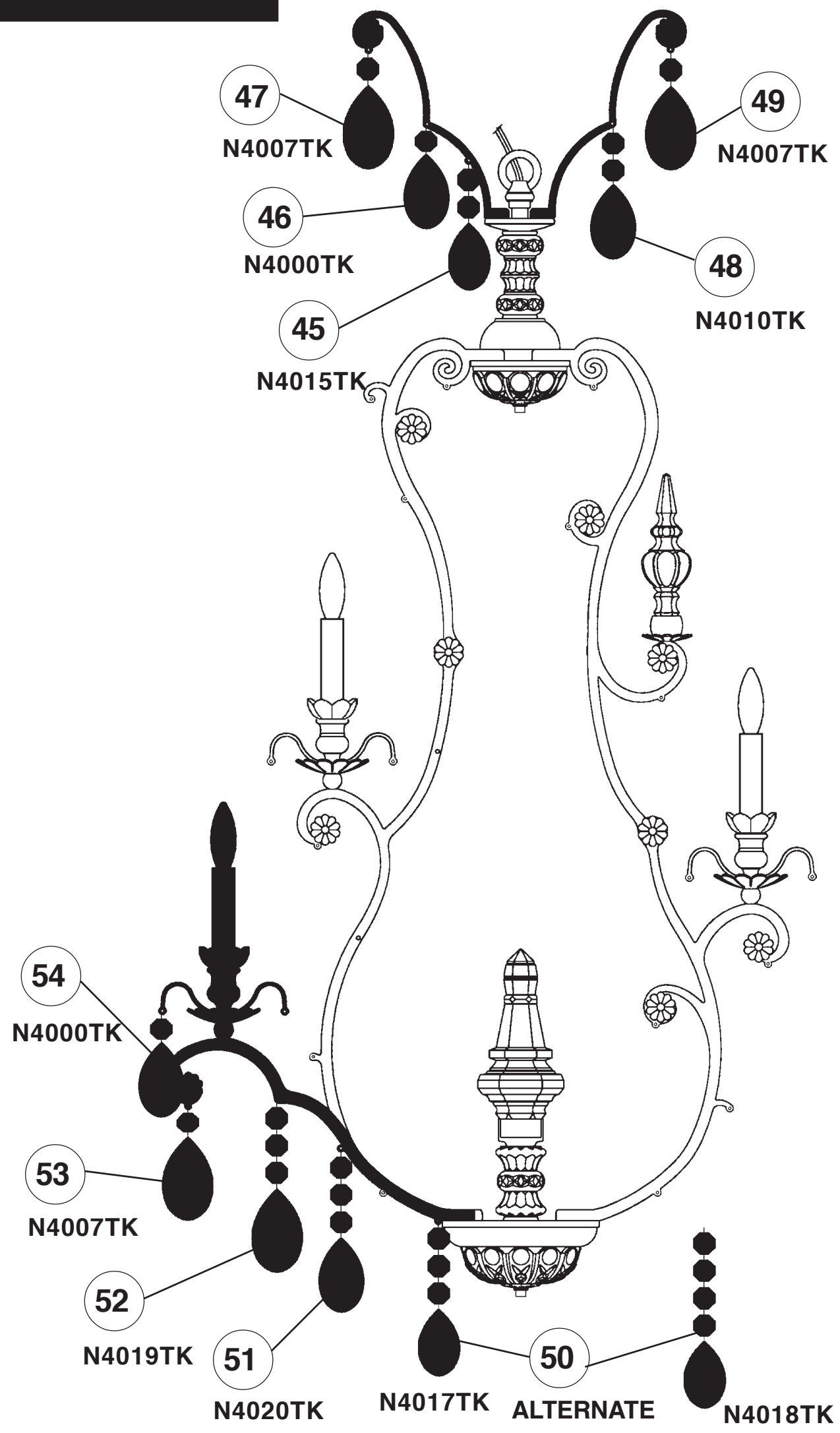
SCHONBEK® is a member of the Swarovski group.

All electrical components must be installed by a licensed electrician in accordance with the National Electric Code and the appropriate local electrical codes.

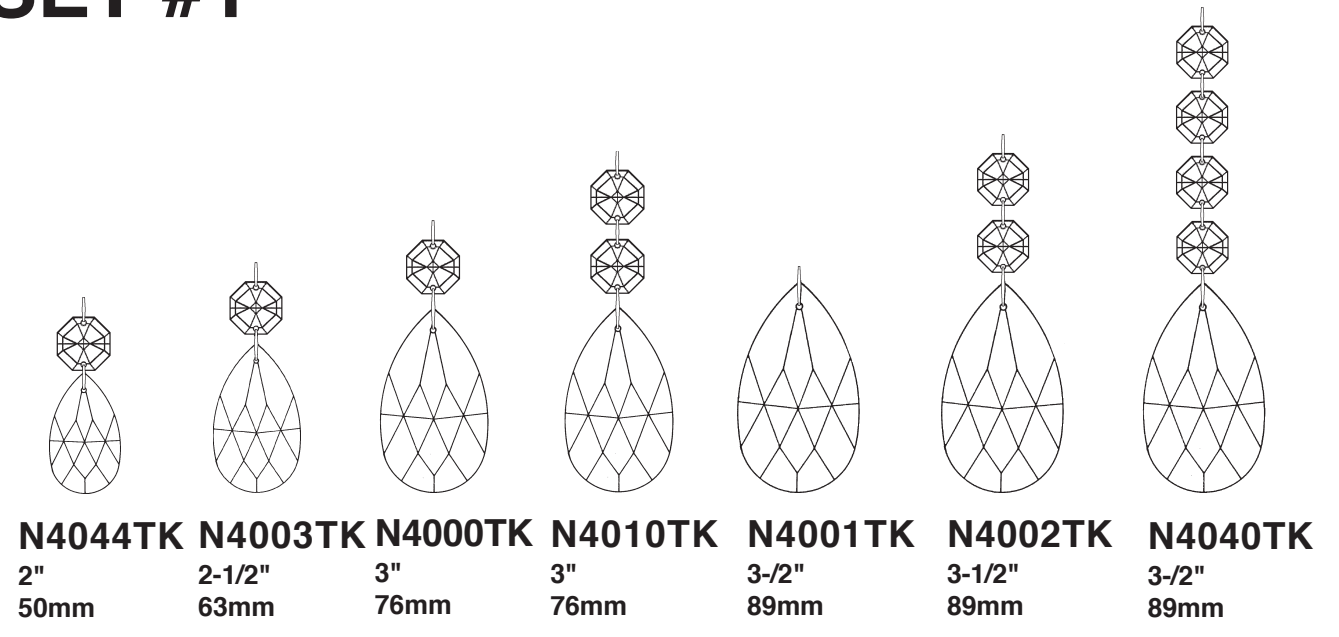
**WARNING:** THIS LUMINAIRE MUST BE MOUNTED OR SUPPORTED INDEPENDENTLY OF AN OUTLET BOX.



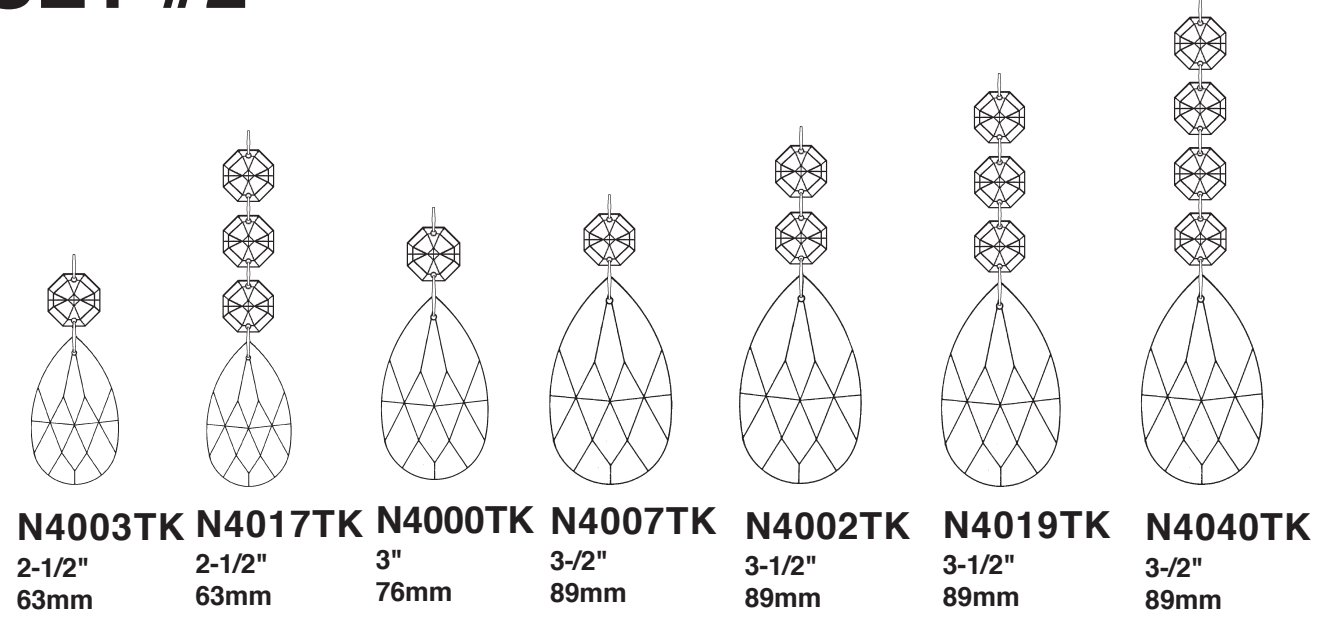
**Crystal Set #3 in Black**



**SET #1**



**SET #2**



**SET #3**

