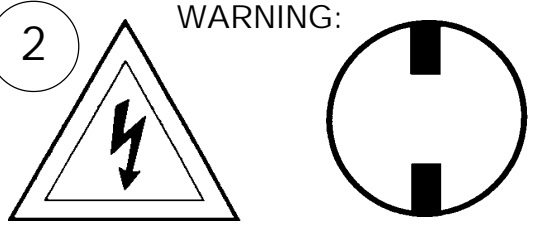


Instructions for electrician
STEPS 2 - 22

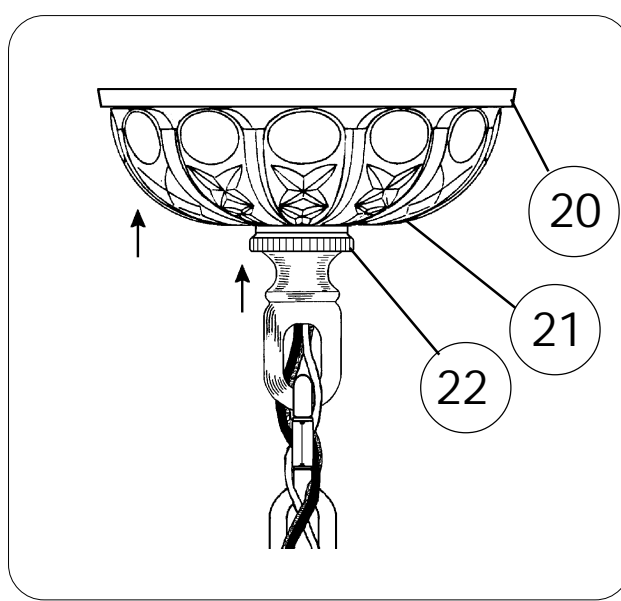
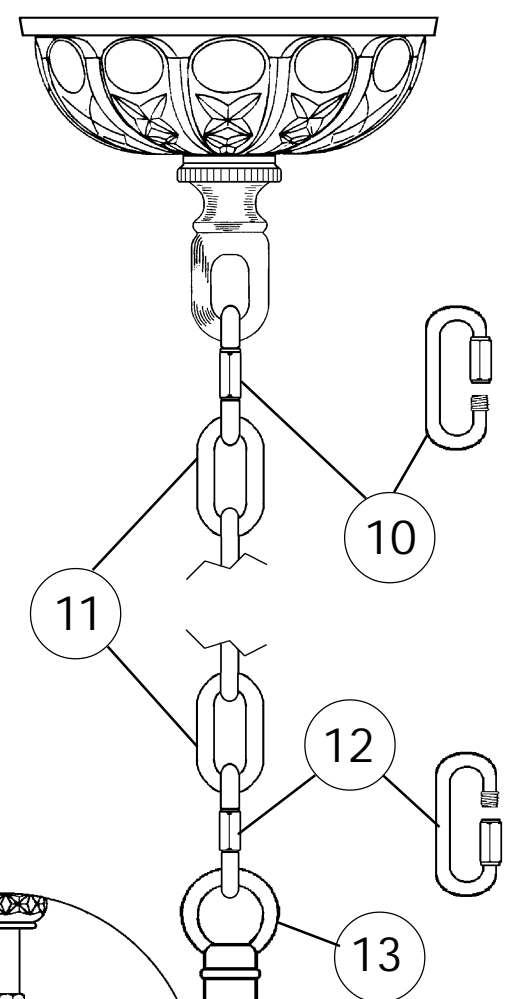
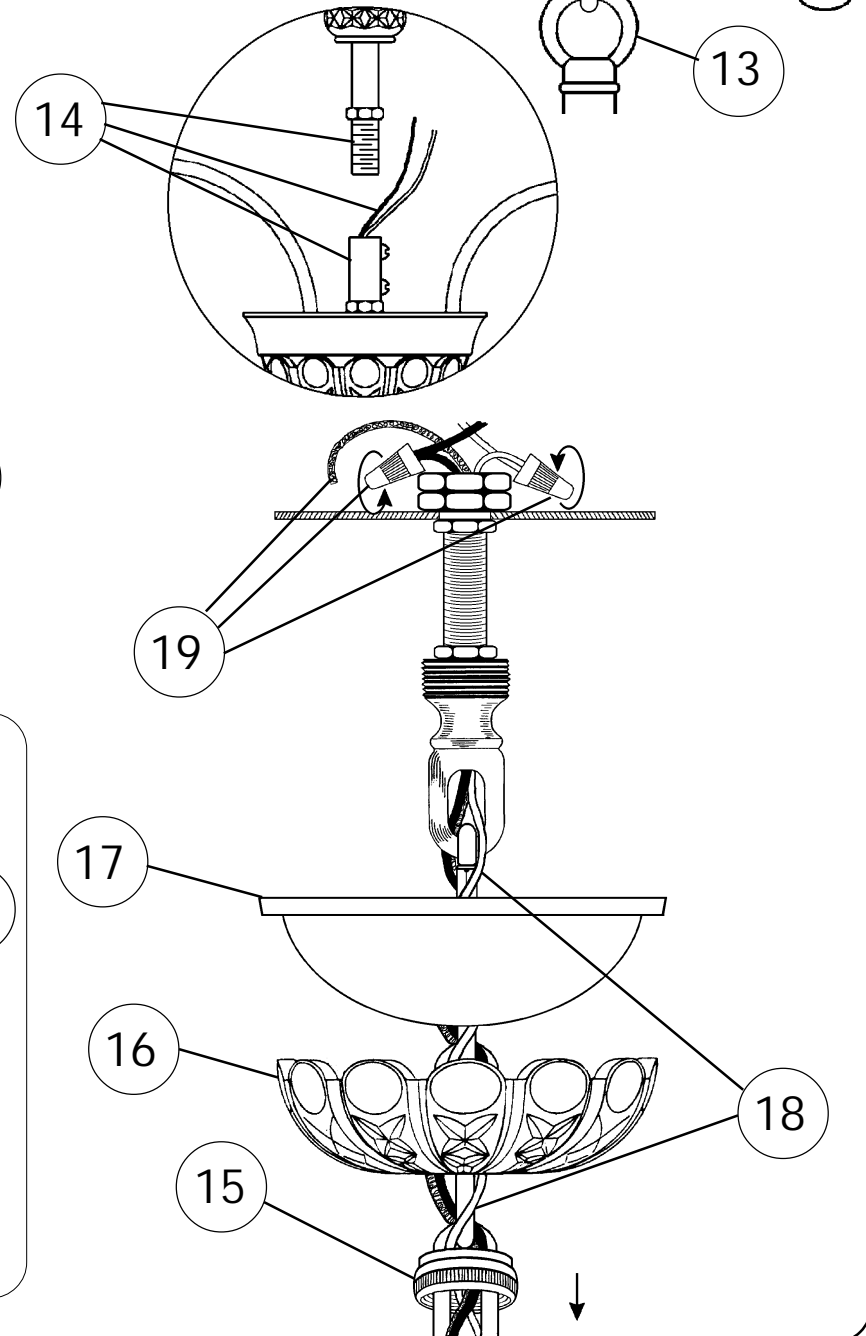
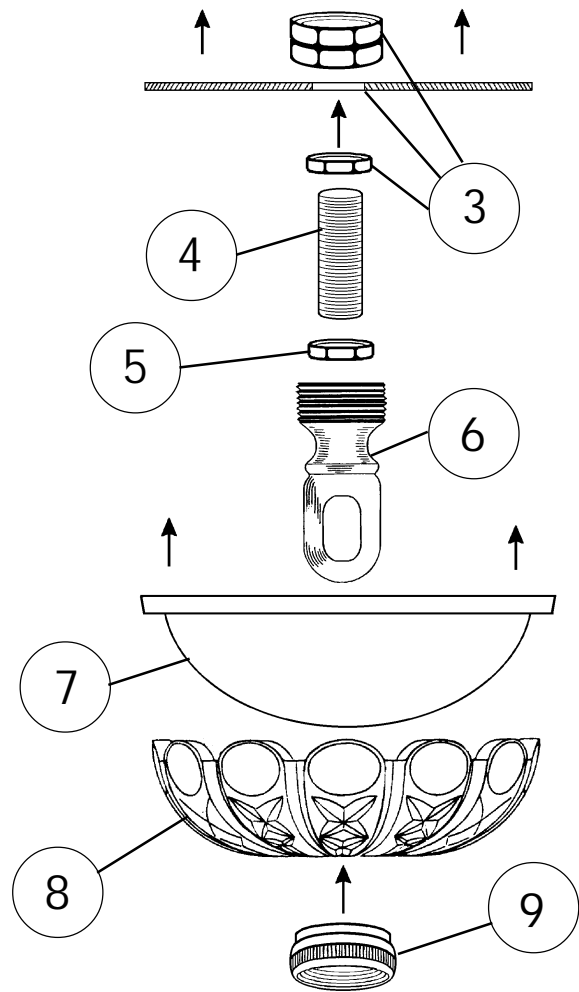
WARNING: THIS LUMINAIRE MUST BE MOUNTED OR SUPPORTED INDEPENDENTLY OF AN OUTLET BOX.

2 **WARNING:**



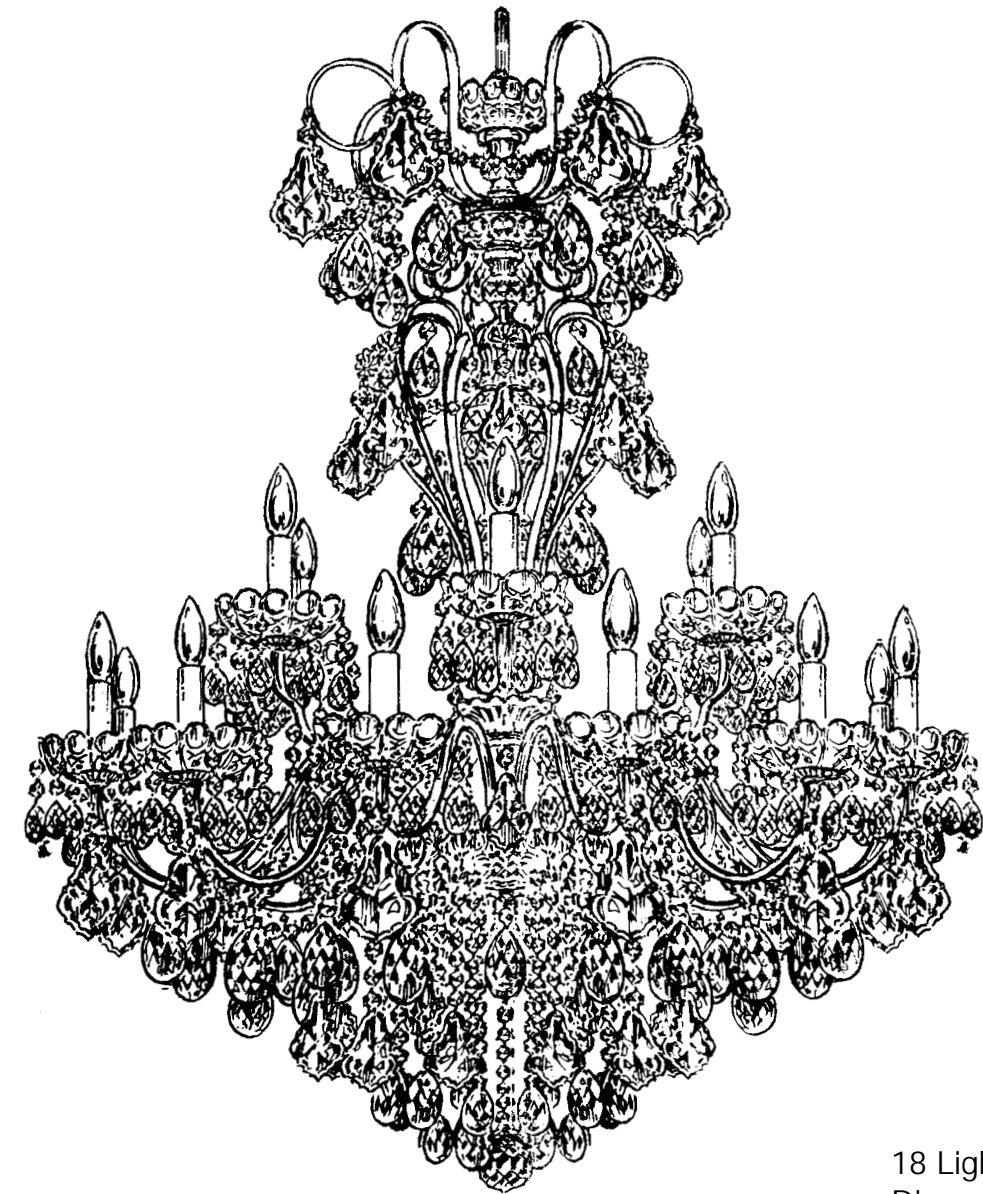
Electrical Danger Turn Power Off

All electrical components must be installed by a licensed electrician in accordance with the National Electric Code and the appropriate local electrical codes.



CHANDELIER 3660-___ __H
(Finish Option)

TRIM DIAGRAM



18 Lights
Diameter: 36"
Body Length: 44"
Hanging Weight: 54 lbs.

THIS DESIGN IS THE PROPRIETARY TRADE DRESS/TRADEMARK OF SCHONBEK WORLDWIDE LIGHTING INC.

SCHONBEK[®]

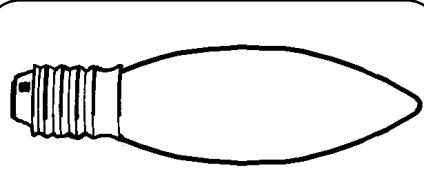
See diagram on back page
Follow steps in exact order
Save this trim diagram for future reference

1 **IMPORTANT**
Please record the following information for future service.

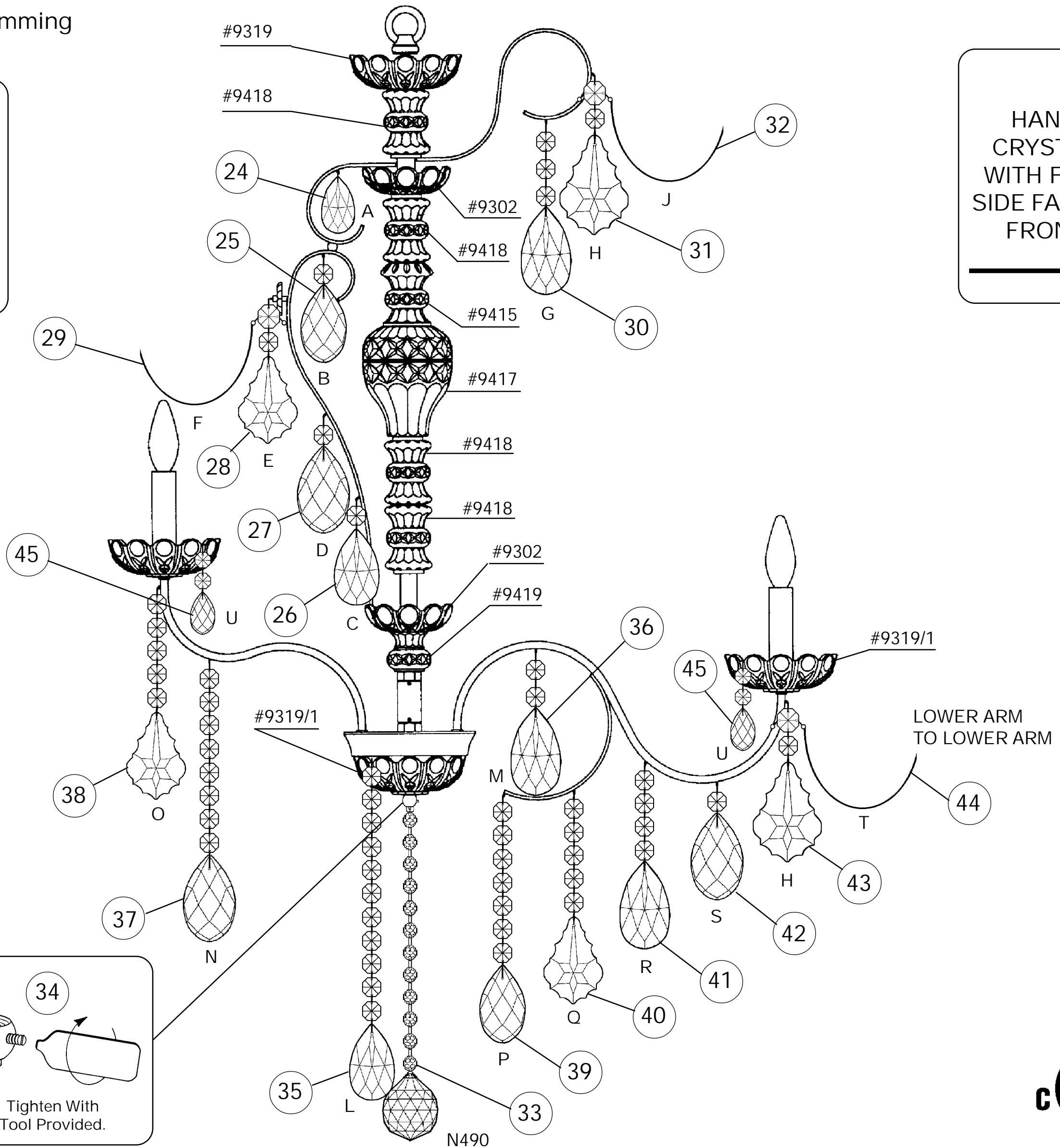
CODE #	_____	Four-digit number on outside of carton.
PACKER #	_____	See crystal package label.
ORDER #	_____	See crystal package label.

SCHONBEK IS A WORLD LEADER IN CHANDELIER DESIGN. PATENTS INCLUDE: #D5,404,285, #D338,278 & #D345,815

Instructions for crystal trimming
STEPS 23 - 45



23 18 - C10
60 Watts Max
25 Watts Recommend
Install bulbs and be sure
to test fixture BEFORE
trimming.



HANG
CRYSTAL
WITH FLAT
SIDE FACING
FRONT

