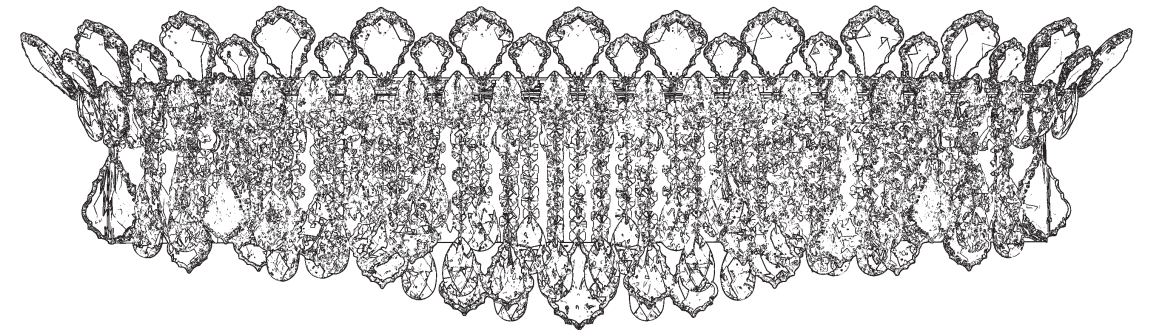




SCHONBEK®

**TRILLIANE STRANDS
TR3640N- __ _A**



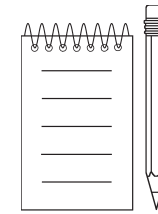
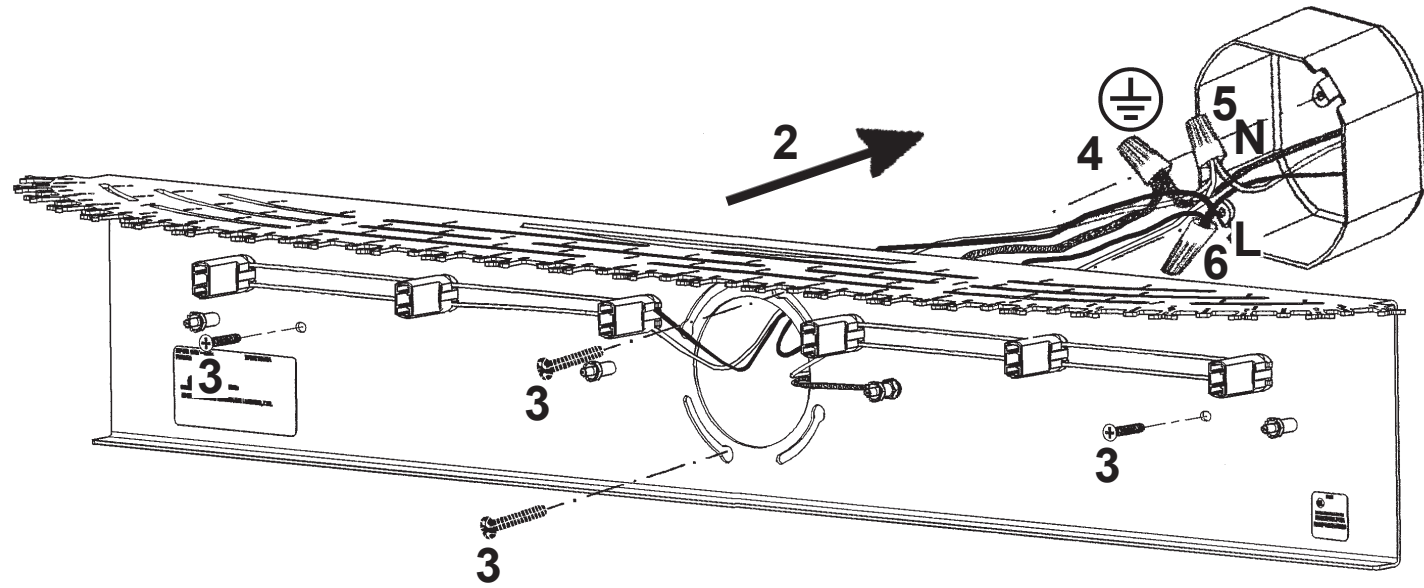
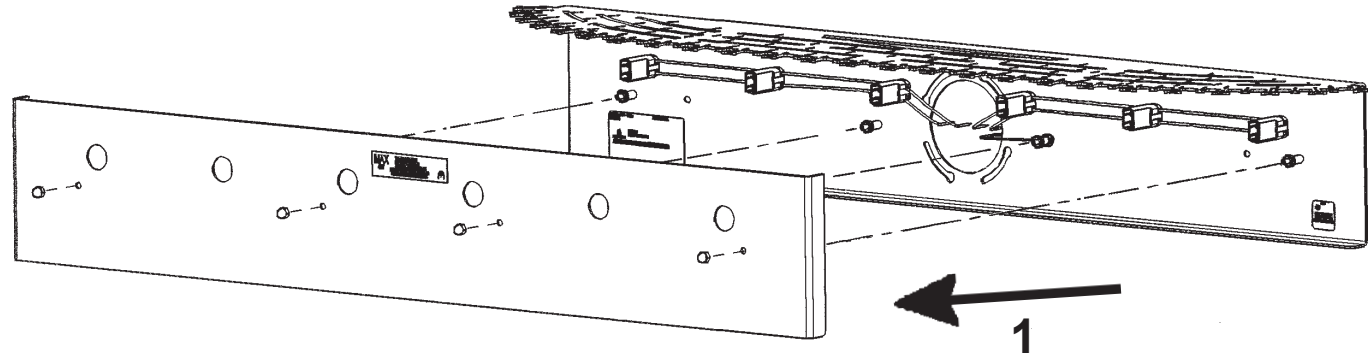
THIS DESIGN IS THE PROPRIETARY
TRADE DRESS/TRADEMARK OF
SWAROVSKI LIGHTING, LTD.

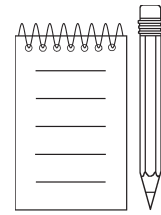
6 Lights
Length: 37"
Height: 10-1/2"
Extension: 7-1/2"
Hanging Weight: 17 lbs.




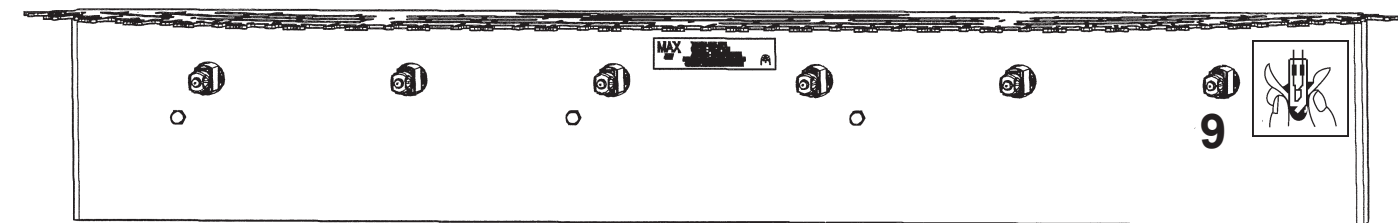
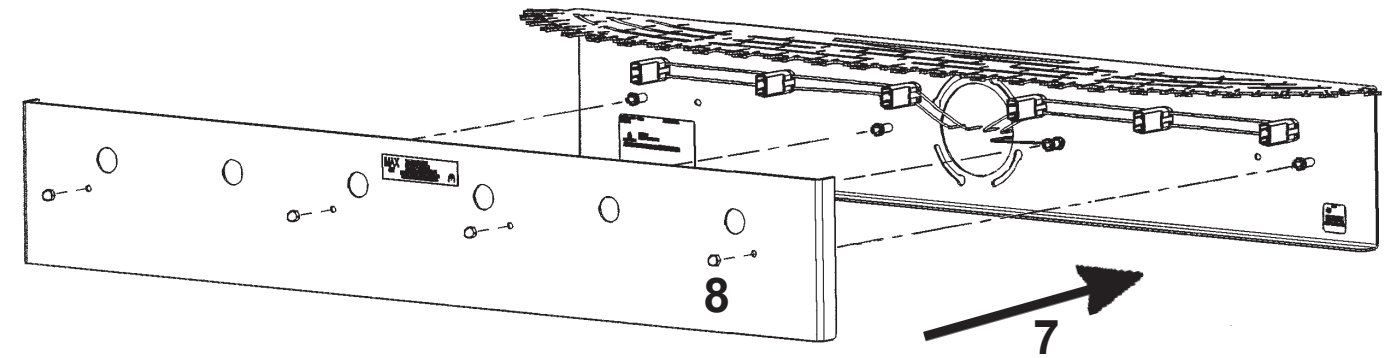
SCHONBEK®

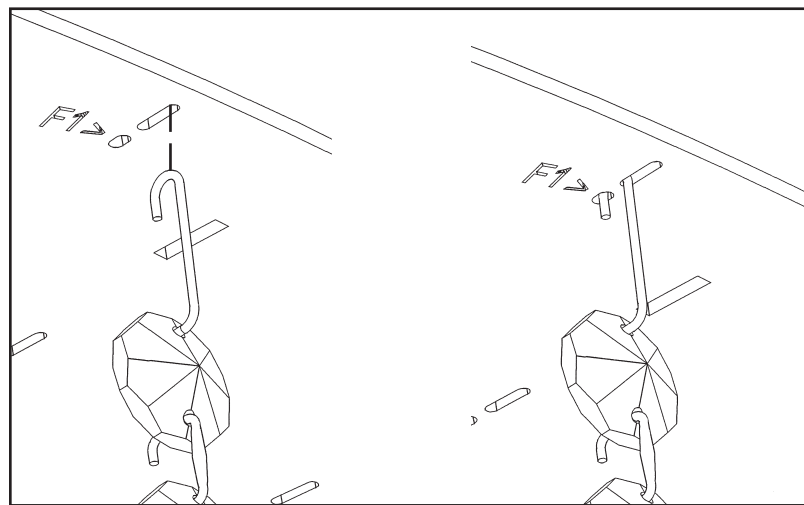
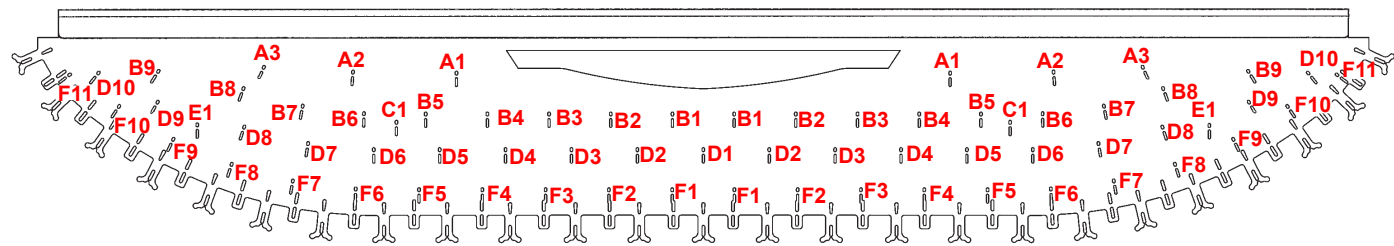
| | | | | | | | | |
|-----------------|--|-----------|--|--|--|--|--|--|
| | | | | | | | | |
| MAX 40 W | | 110-120 V | | | | | | |





6 X  : G9 40W MAX 





- 10** A1 - A3
- 11** B1 - B9
- 12** C1
- 13** D1 - D10
- 14** E1
- 15** F1 - F11

After hanging all trim, remove labels from crystals. If residue remains, wipe off crystal with a soft, dry cloth.

