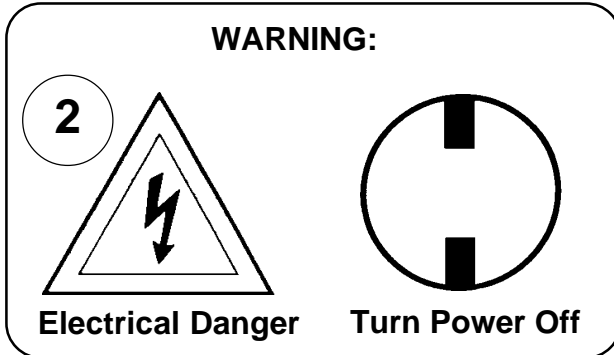
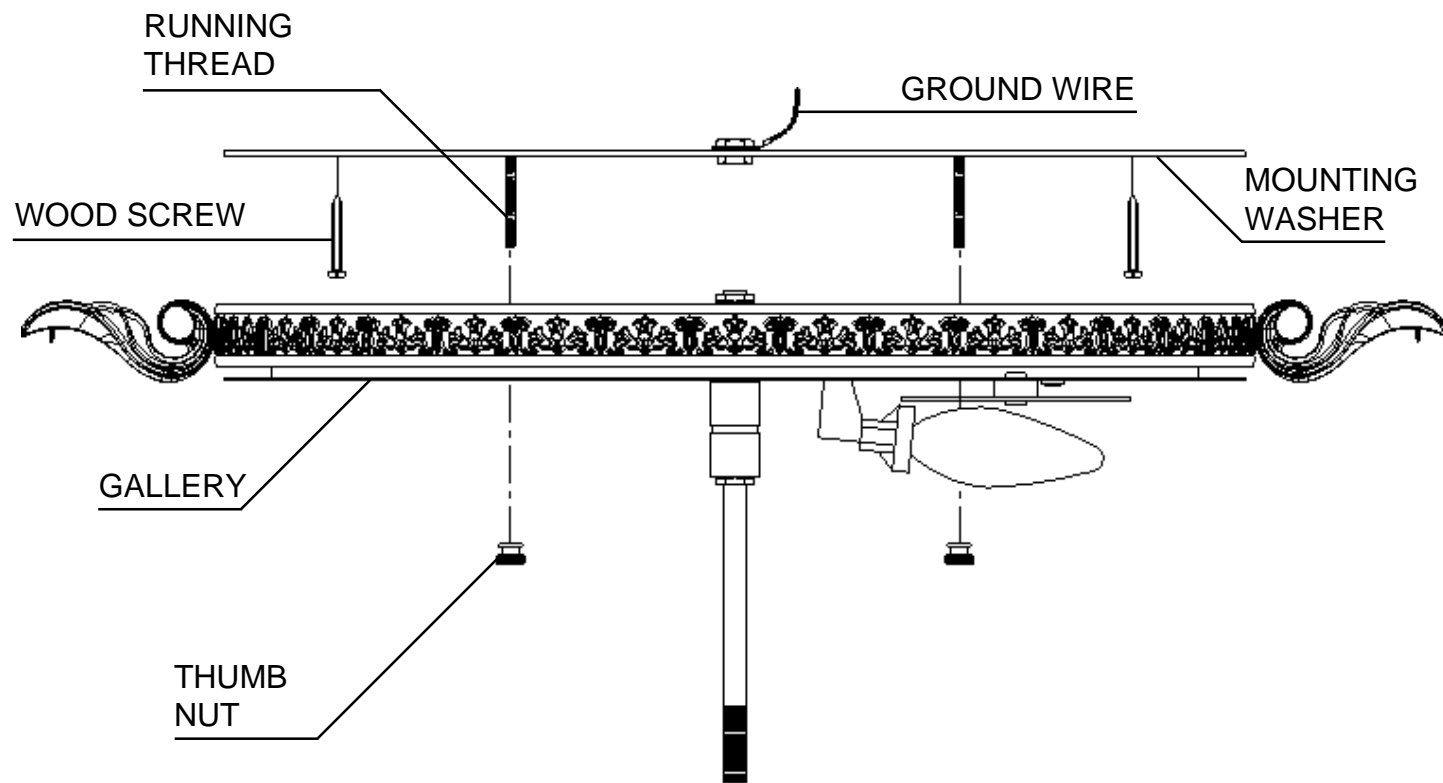


Instructions for electrician STEPS 2 - 5



All electrical components must be installed by a licensed electrician in accordance with the National Electric Code and the appropriate local electrical codes.



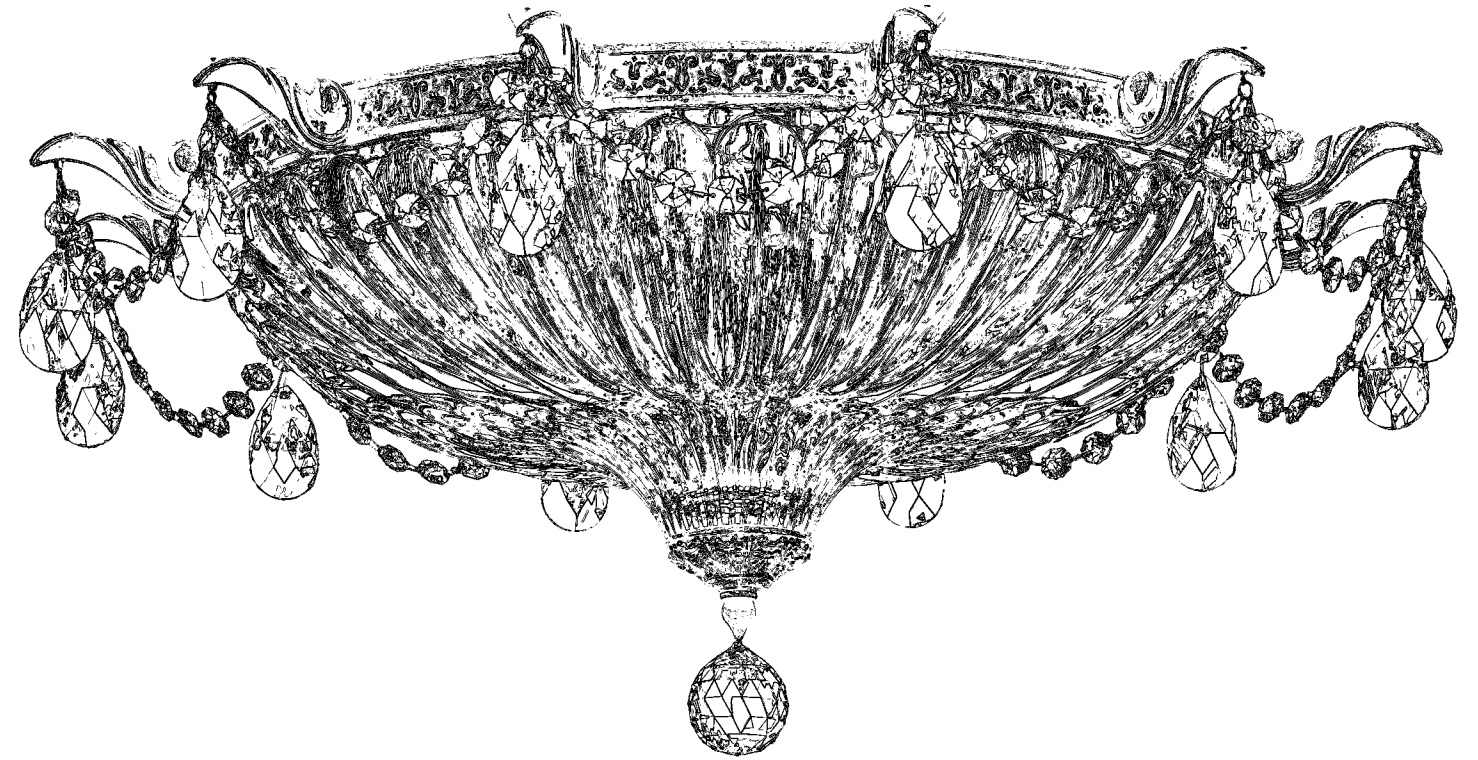
3 Attach mounting washer to outlet box. Install wood screws provided into ceiling for added support. Connect ground wires from fixture and mounting washer to ground wire in outlet box. Fixture must be grounded. Connect neutral and power wires from fixture to neutral and power wires in outlet box.

4 Attach fixture to ceiling with thumb nuts, thereby retaining complete fixture against ceiling.

5 Screw bulbs into sockets. Test power to insure proper wiring before installing glass dish.

CHANDELIER 5635- _____ TRIM DIAGRAM

(Finish Option) (Trim Option)



THIS DESIGN IS THE PROPRIETARY TRADE DRESS/TRADEMARK OF SCHONBEK WORLDWIDE LIGHTING INC.

4 Lights
Diameter: 22-1/2"
Height: 10"
Hanging Weight: 32-1/2 lbs.

SCHONBEK®

**See diagram on back page
Follow steps in exact order
Save this trim diagram for future reference**


1 **IMPORTANT**
Person who opens carton should record the following information for future service.

CODE # _____ Four-digit number on outside of carton.
PACKER # _____ See crystal package label.
ORDER # _____ See crystal package label.



Instructions for crystal trimming

STEPS 6 - 15



You will need 4 - B10
25 Watts Recommended
40 Watts Max

6

Install bulbs and be
sure to test fixture
BEFORE trimming.

