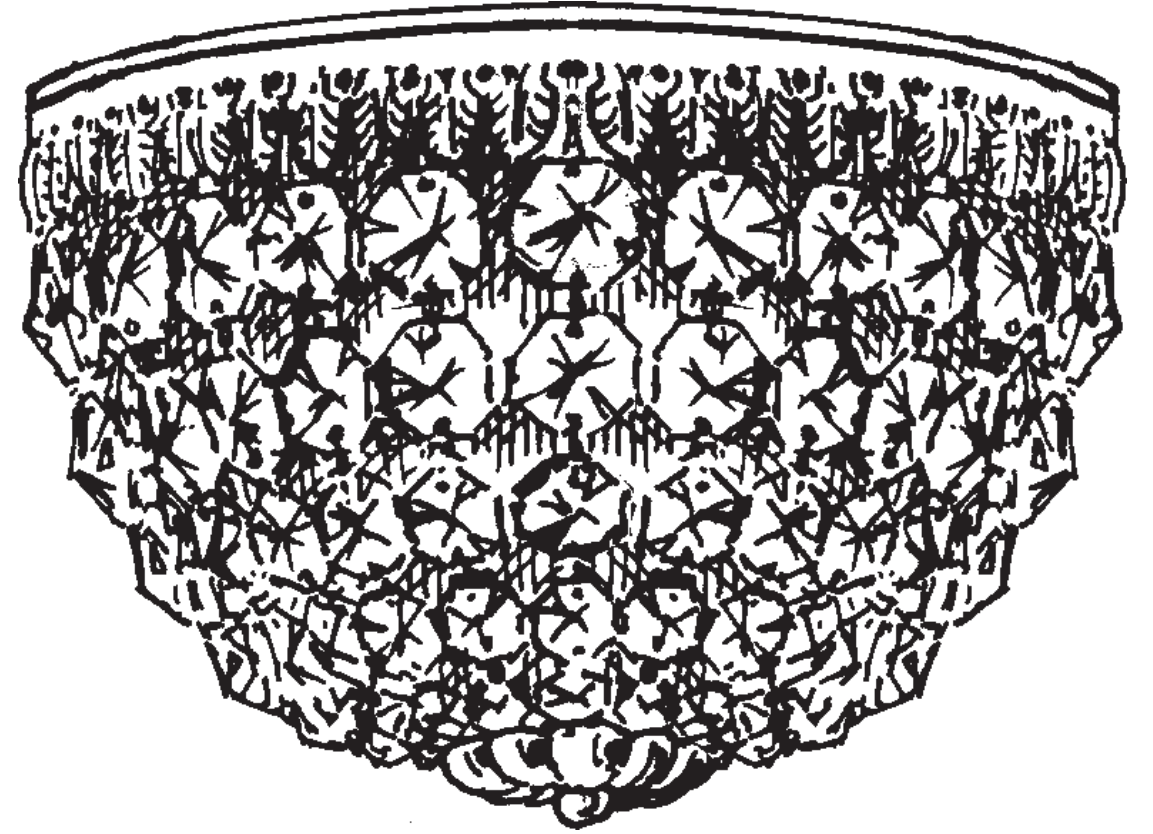


# PETITE CRYSTAL 1558- \_\_ \_\_A



**T**HIS DESIGN IS THE PROPRIETARY TRADE DRESS/TRADemark OF SWAROVSKI LIGHTING, LTD.

3 Lights  
Diameter: 8"  
Body Length: 5-1/2"  
Hanging Weight: 2 lbs.



# SCHONBEK®

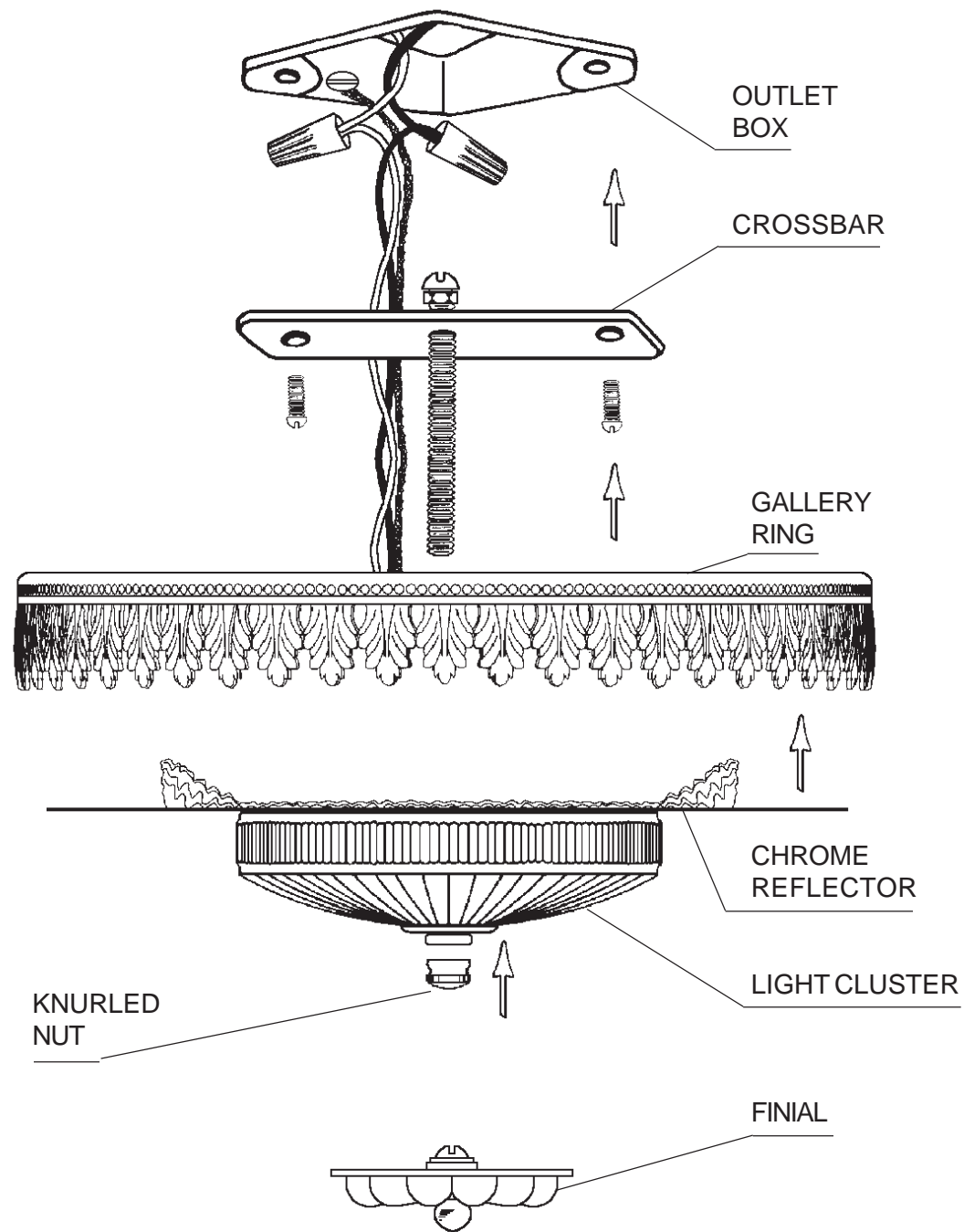


# SCHONBEK®

MAX 40 W		110-120 V						

SCHONBEK® is a member of the Swarovski group.

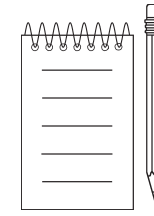
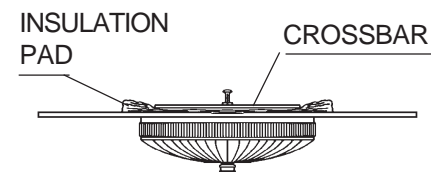
All electrical components must be installed by a licensed electrician in accordance with the National Electric Code and the appropriate local electrical codes.



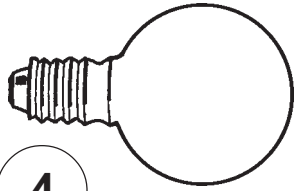
**1** Remove crossbar from light cluster and reflector. Attach to outlet box in ceiling.

**2** Place gallery ring over chrome reflector and light cluster. Connect fixture ground wire to grounding screw in outlet box and complete connections of fixture conductors to main power leads. Fixture MUST be grounded.

**3** Slide assembled parts - gallery ring together with chrome reflector (insulation pad above) and light cluster over thread attached to crossbar and secure with knurled nut. Make sure entire assembly is firmly against the ceiling. If the outlet box is not flush with ceiling, it may be necessary to adjust the thread attached to crossbar. Install bulbs and test power to insure proper wiring before hanging trim from fixture.





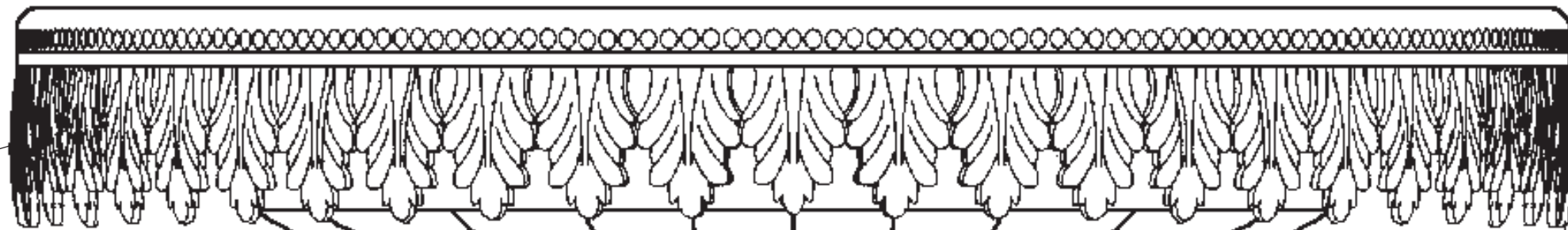


4

You will need 3 - G16-1/2  
25 Watts Recommended  
40 Watts Max  
MIN 90°C SUPPLY  
CONDUCTORS

Install bulbs and be sure to  
test fixture BEFORE  
trimming.

GALLERY  
RING



LARGE JEWEL  
UPPER END

**5** Hang all Crystal Chains "A" from every other  
hole in the gallery ring so that the metal accessories  
face outwards and so that the large jewels are on the  
upper end. Hook other end with small jewels into  
finial.

A

5

SMALL JEWEL  
LOWER END



FINIAL

