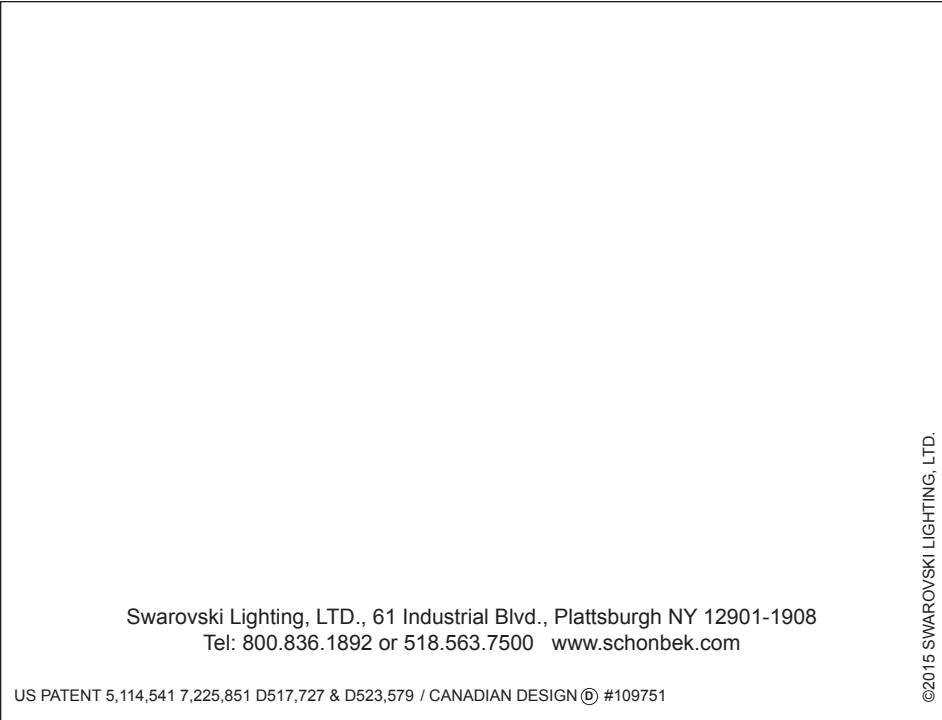


Important: Label on back contains important information on your crystal color. Please save in case you ever need to order matching crystal.

Trim Diagram
Refrax Close to Ceiling
REC1005A

SCHONBEK®



Swarovski Lighting, LTD., 61 Industrial Blvd., Plattsburgh NY 12901-1908
Tel: 800.836.1892 or 518.563.7500 www.schonbek.com

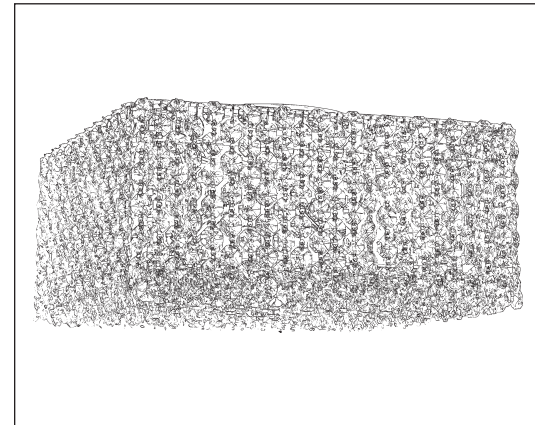
US PATENT 5,114,541 7,225,851 D517,727 & D523,579 / CANADIAN DESIGN © #109751

©2015 SWAROVSKI LIGHTING, LTD.



SCHONBEK®

Trim Diagram
Refrax Close to Ceiling REC1005A



4 Lights

Length: 10" Width: 10" Height: 5-1/2"


This design is the proprietary trade dress/trademark of Swarovski Lighting, LTD.

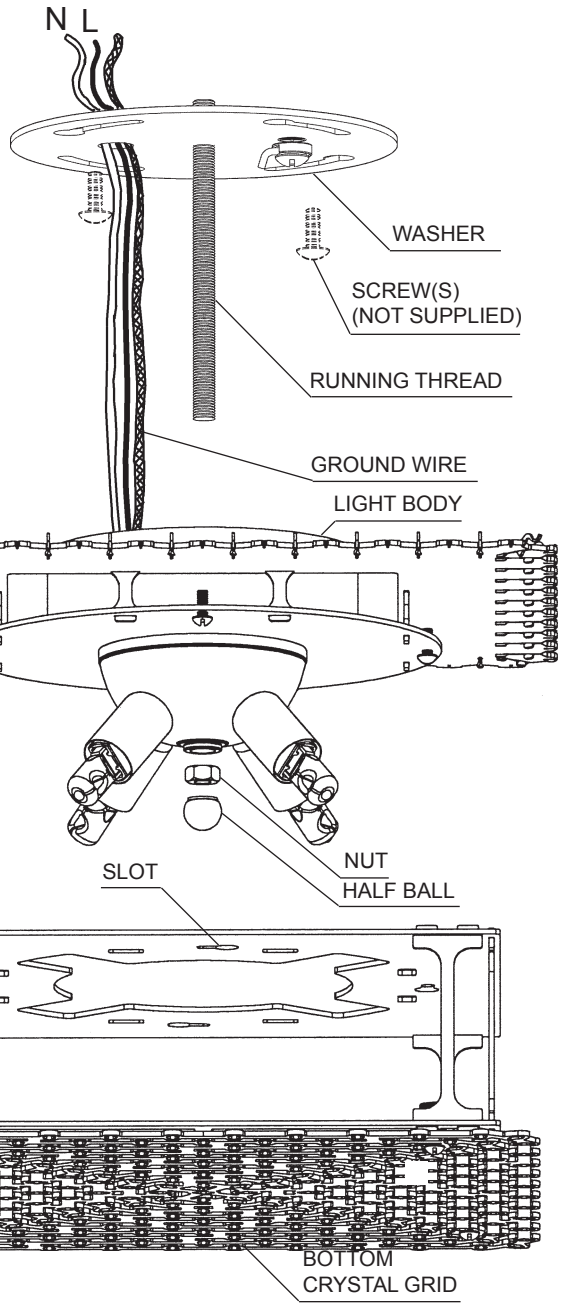
Please save your trim diagram for future reference.


IMPORTANT: Label on back contains important information on your crystal color. Please save in case you ever need to order matching crystal.

SCHONBEK® is a member of the Swarovski group.

4 - G9 JCD
 (Supplied - Schonbek #JCD-G9-40)
 40 Watts Max
 Install bulbs and be sure to test fixture BEFORE assembly.
 Hanging Weight: 9lbs.
 MIN 75°C SUPPLY CONDUCTORS

 To avoid damaging, do NOT touch bulb with bare hands. Install bulb with clean cloth or tissue.



- 1 MAKE SURE POWER IS DISCONNECTED BEFORE INSTALLING OR MAINTAINING THIS FIXTURE.
- 2 Attach washer outlet box with screws (not supplied).
- 3 Connect wires. Fixture MUST be grounded. If in any doubt consult a qualified electrician.
- 4 Slide light body over running thread and secure in place with nut and half ball.
- 5 Use G9 JCD bulbs, only use bulbs marked "suitable for open luminaires" or bearing this symbol:  Insert bulbs into sockets and test for proper wiring before hanging trim from fixture.
- 6 Place slots in top plate over screws on the light body. Turn fixture slightly until it is securely in place, then tighten the screws.
- 7 Install bottom crystal grid with thumb nuts (already screwed onto grid) to bottom of chandelier.
- 8 Hang A chains first, following the crystal map. Hook the connectors into the pinholes located towards the outside of the top grid. See illustration to the below.
- 9 Hang B chains by sliding the octagon with an open hole onto the pin. Chains B will nest into position between A chains. See illustration to the below.

