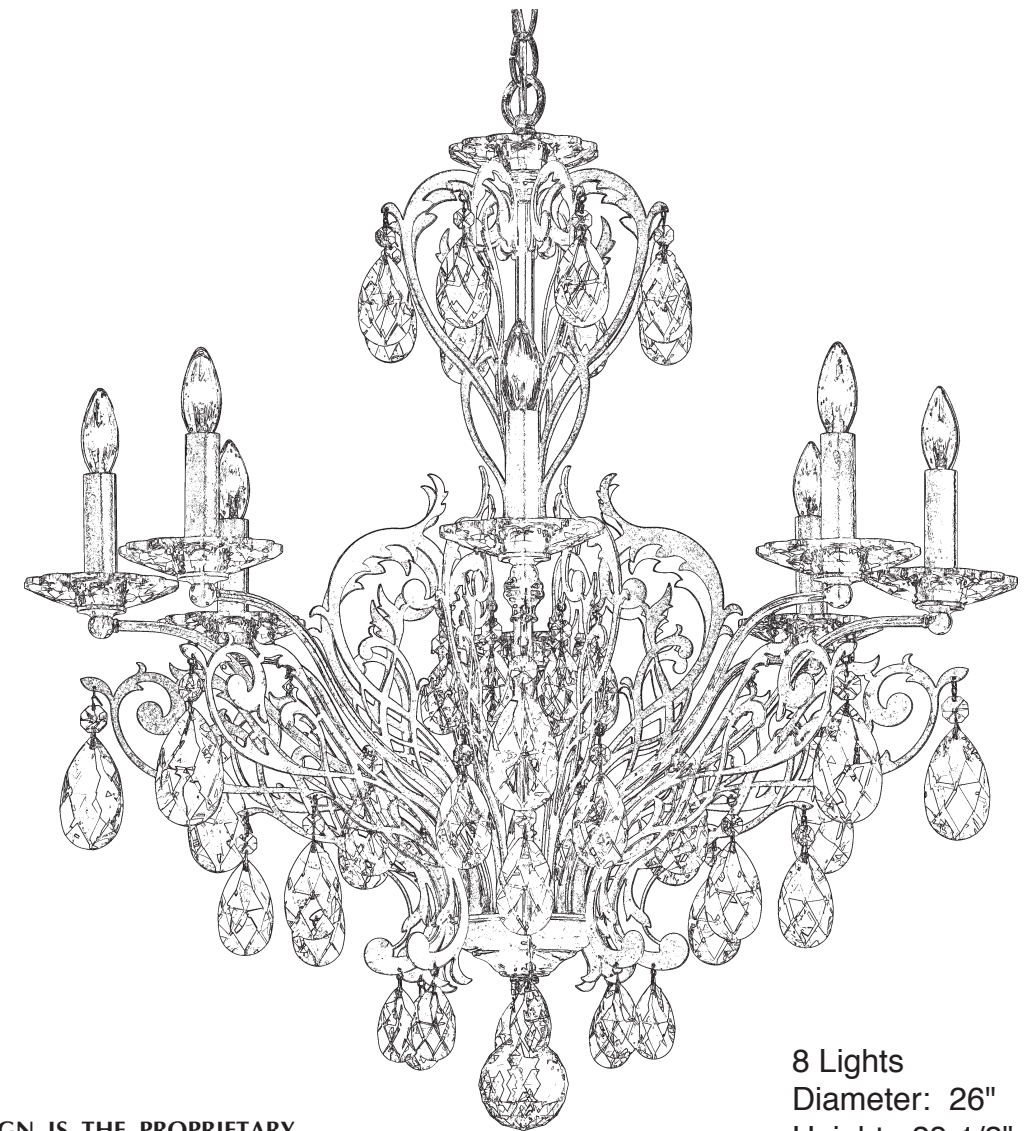




**SCHONBEK®**

**FILIGRAE FE7008N- \_\_ \_\_ H**



8 Lights  
Diameter: 26"  
Height: 28-1/2"  
Hanging Weight: 20lbs.

**T**HIS DESIGN IS THE PROPRIETARY  
TRADE DRESS/TRADemark OF  
SWAROVSKI LIGHTING, LTD.



**SCHONBEK®**

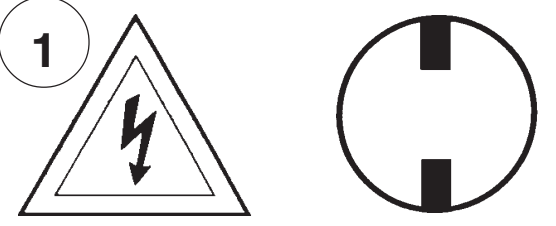


MAX 60 W

110-120 V

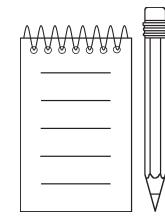
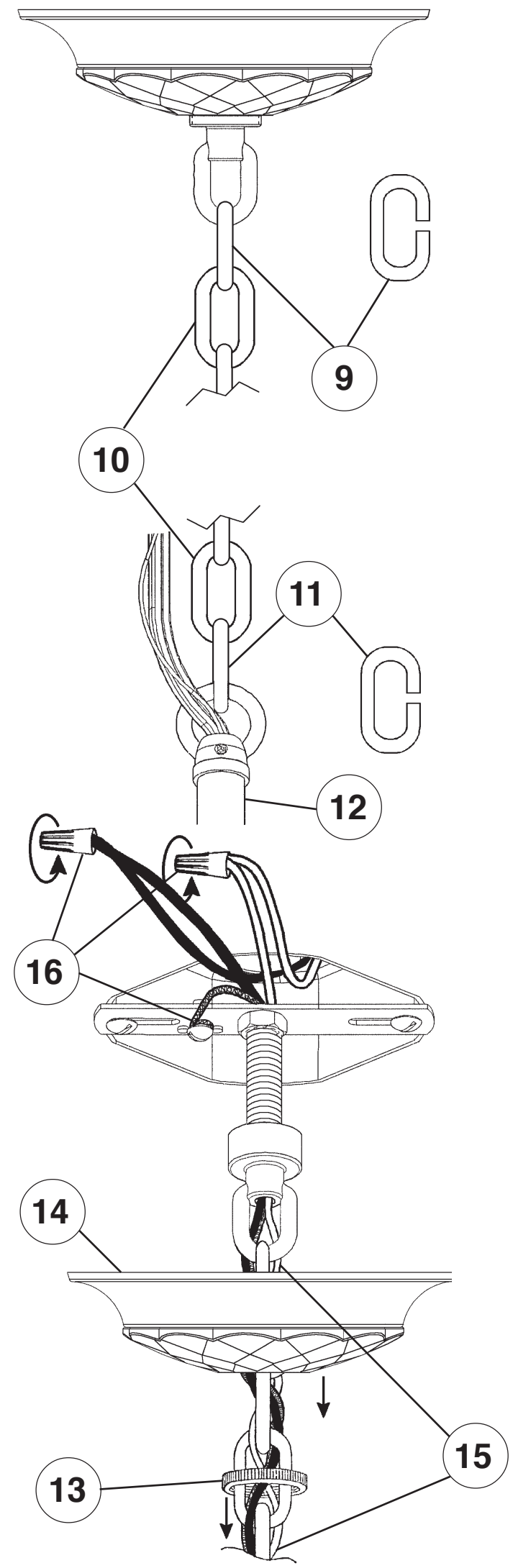
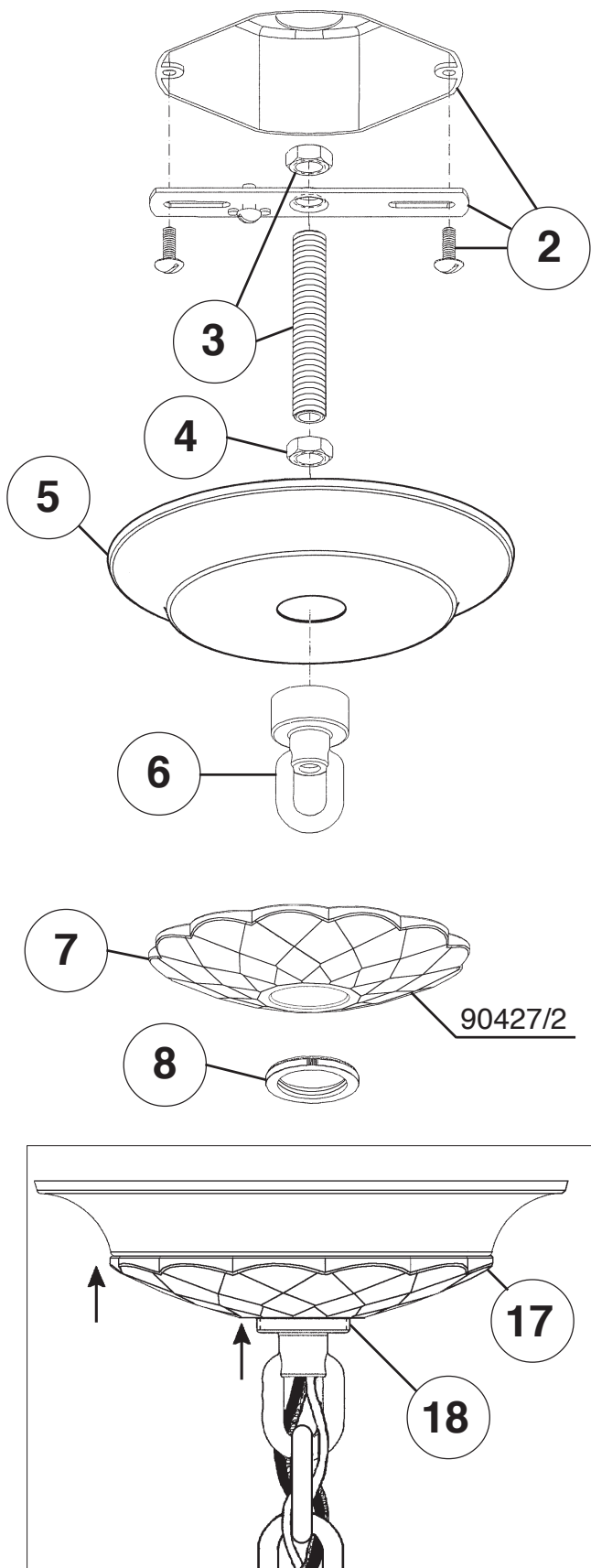
SCHONBEK® is a member of the Swarovski group.

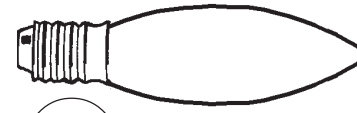
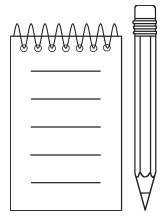
**WARNING:**

1 

**Electrical Danger Turn Power Off**

All electrical components must be installed by a licensed electrician in accordance with the National Electric Code and the appropriate local electrical codes.





21

You will need 8 - B10  
25 Watts Recommended  
60 Watts Max

**Install bulbs and be  
sure to test fixture  
BEFORE trimming.**

