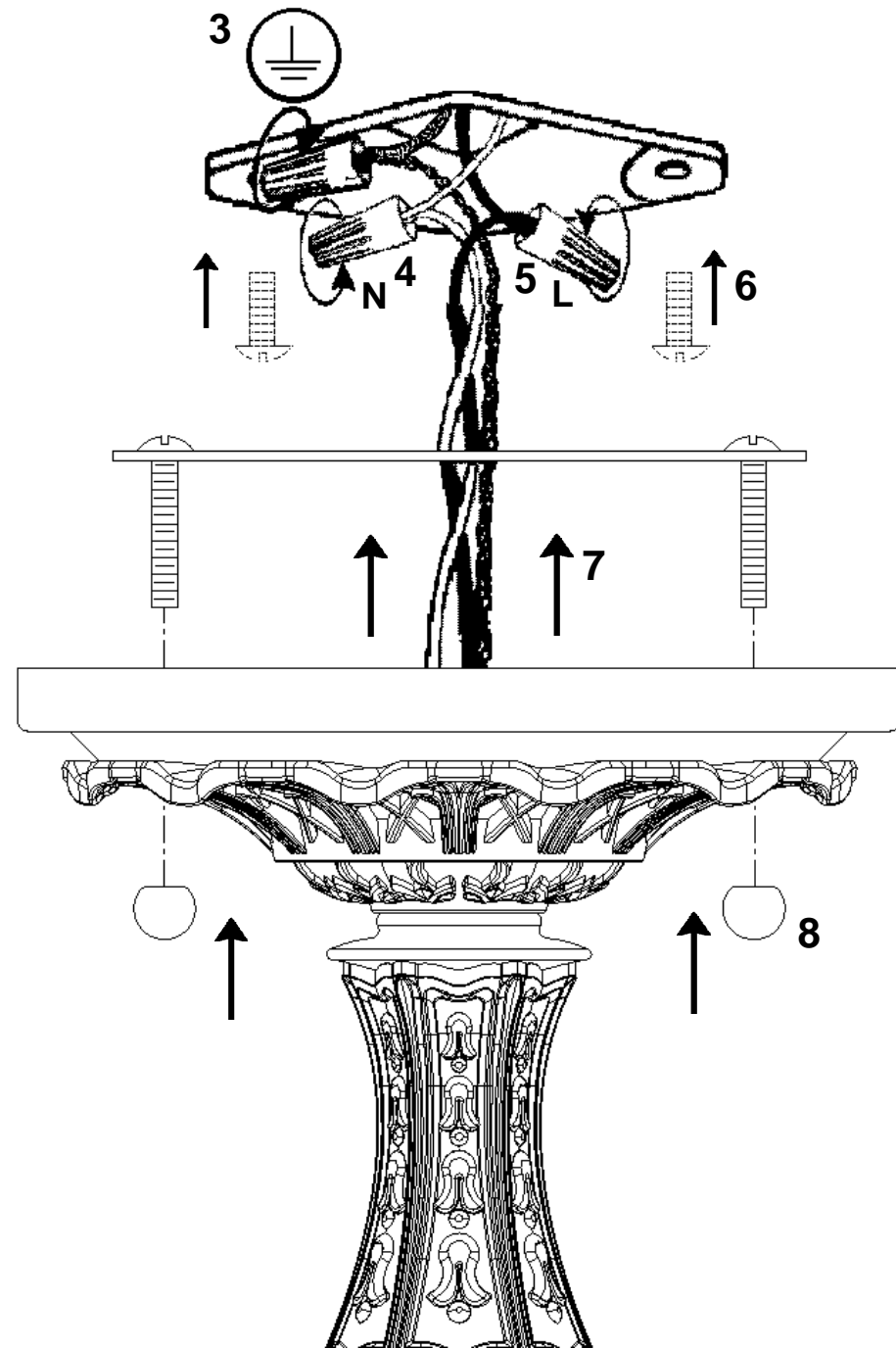


Instructions for electrician
STEPS 2 - 8

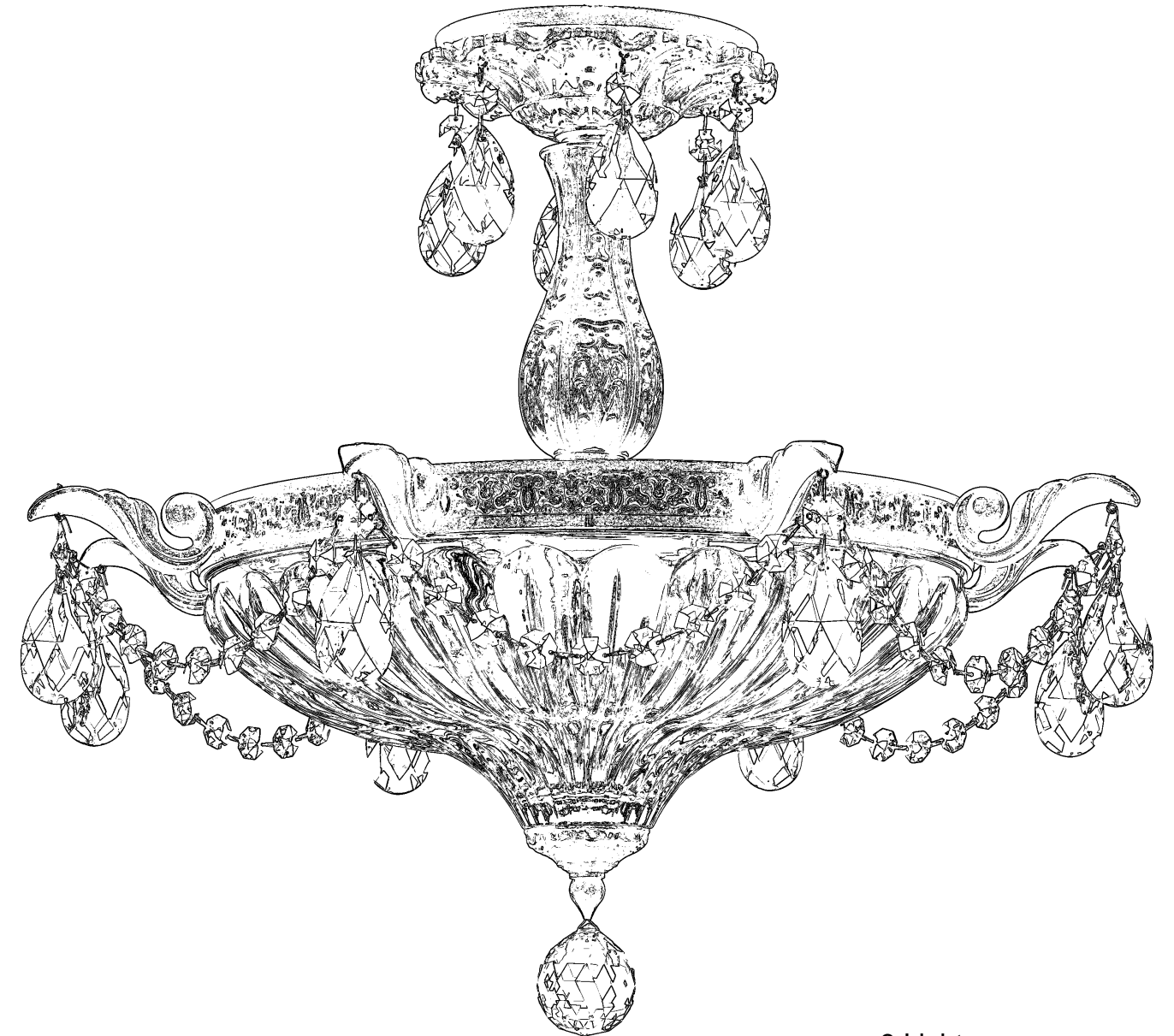
2 **WARNING:**

Electrical Danger Turn Power Off

All electrical components must be installed by a licensed electrician in accordance with the National Electric Code and the appropriate local electrical codes.



CHANDELIER 5649-______ O TRIM DIAGRAM
(Finish Option)



THIS DESIGN IS THE PROPRIETARY TRADE DRESS/TRADEMARK OF SCHONBEK WORLDWIDE LIGHTING INC.

3 Lights
Diameter: 18-1/2"
Body Length: 16"
Hanging Weight: 13lbs.

SCHONBEK®

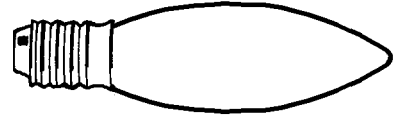
See diagram on back page
Follow steps in exact order
Save this trim diagram for future reference

1 **IMPORTANT**
Person who opens carton should record the following information for future service.

CODE #	_____	Four-digit number on outside of carton.
PACKER #	_____	See crystal package label.
ORDER #	_____	See crystal package label.



Instructions for crystal trimming
STEPS 9 - 16



You will need 3 - B10
 25 Watts Recommended
 60 Watts Max
 MIN 90°C SUPPLY
 CONDUCTORS

**Install bulbs and be
 sure to test fixture
 BEFORE trimming.**

