



SCHONBEK®

MILANO 5643- __ __ O



3 Lights
Diameter: 13"
Body Length: 15"
Extension: 8-1/2"
Hanging Weight: 3 lbs.

THIS DESIGN IS THE PROPRIETARY TRADE DRESS/TRADemark OF SWAROVSKI LIGHTING, LTD.

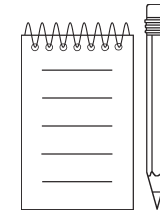
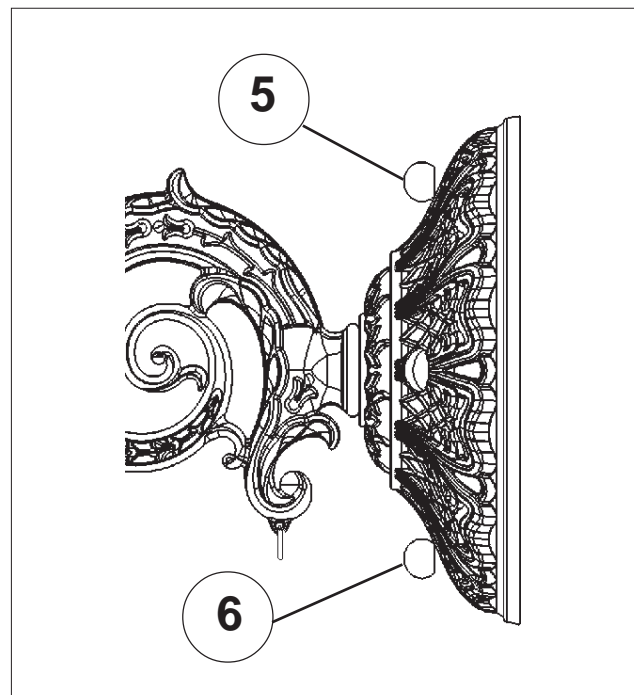
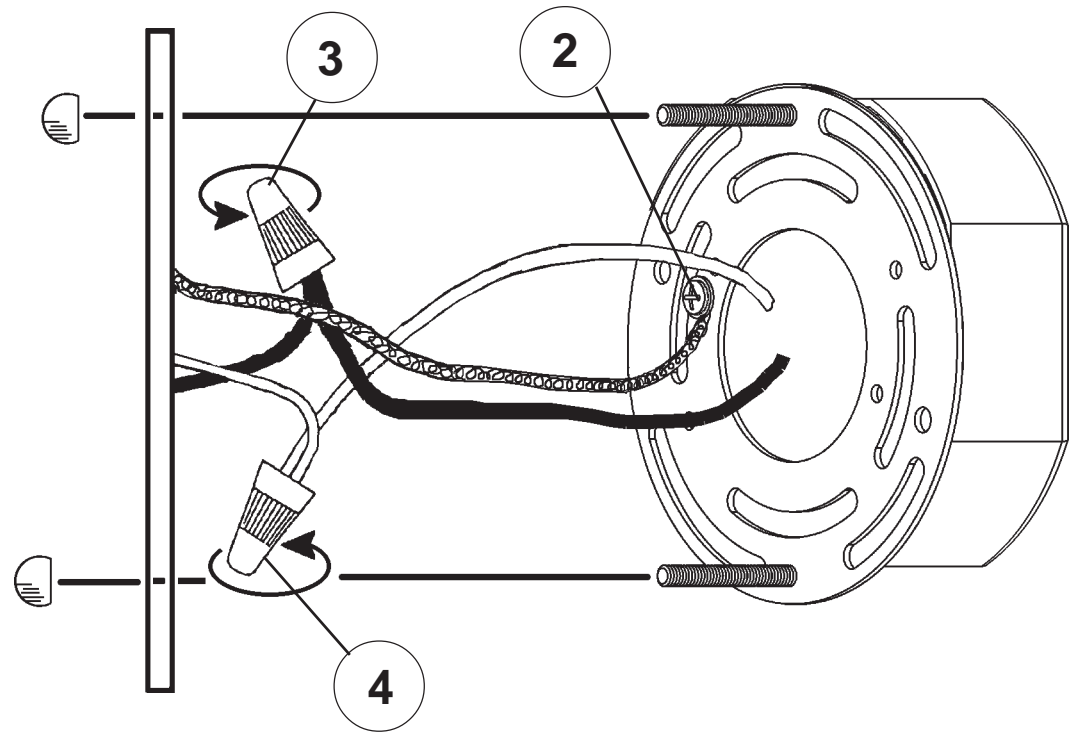
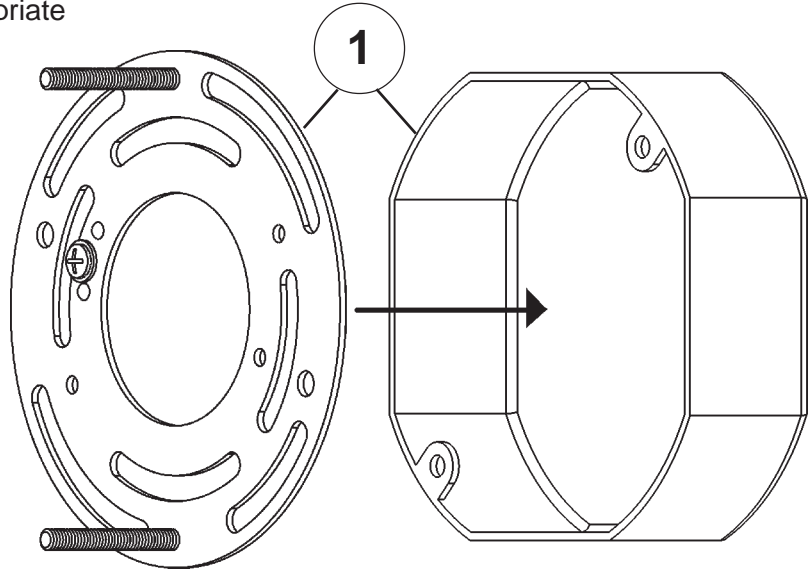


SCHONBEK®

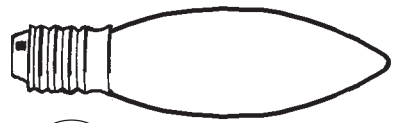
MAX 60 W		110-120 V						

SCHONBEK® is a member of the Swarovski group.

All electrical components must be installed by a licensed electrician in accordance with the National Electric Code and the appropriate local electrical codes.







7

You will need 3 - B10
25 Watts Recommended
60 Watts Max

Install bulb and be sure
to test fixture **BEFORE**
trimming.

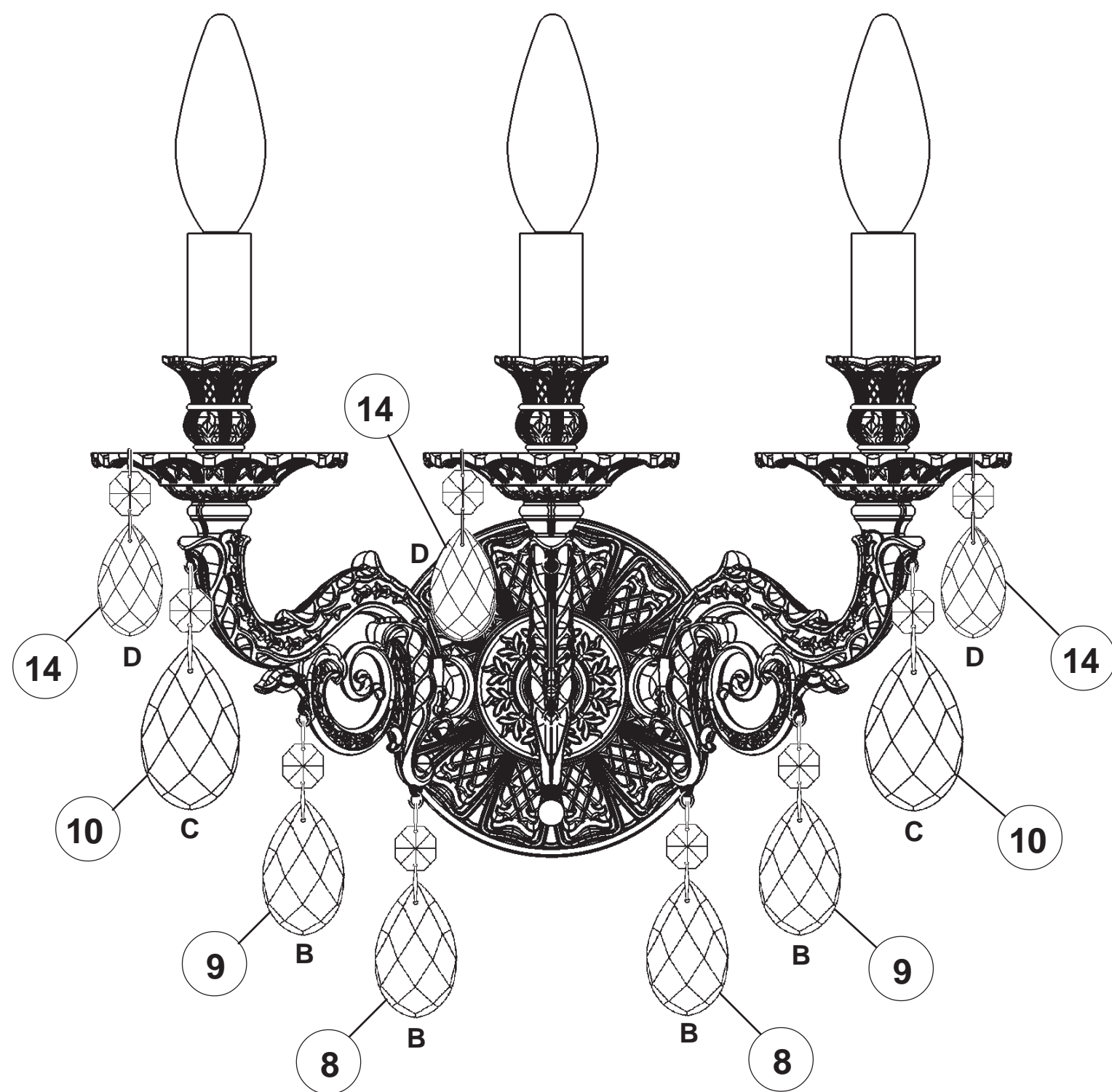
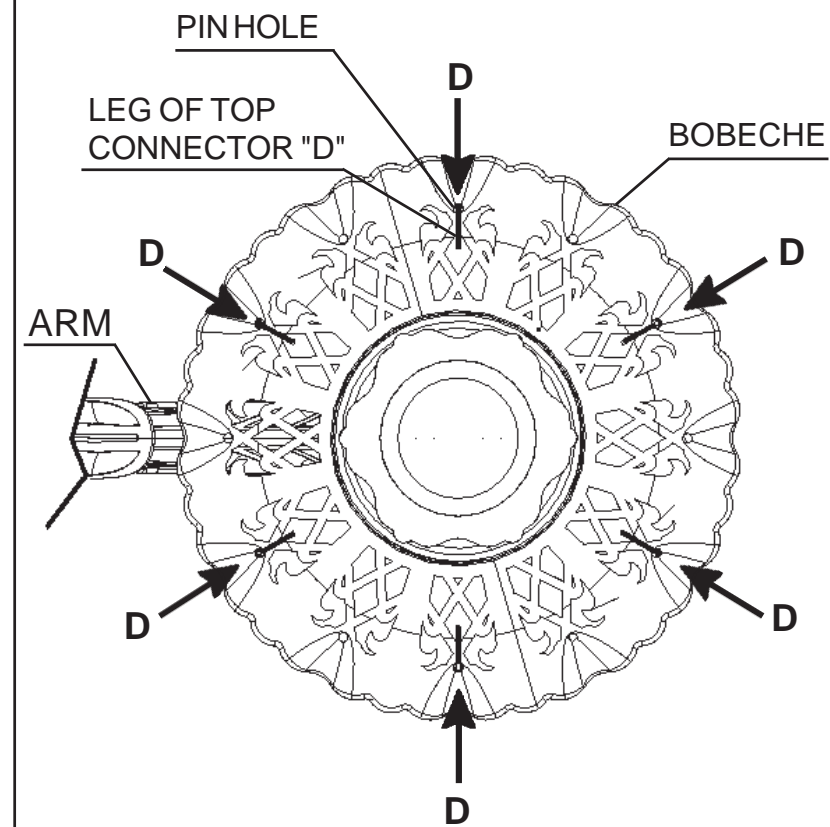


DIAGRAM #1



When trimming bobecche with letter "D", insert leg of top connector into pin hole from under bobecche. Hang in every other pin hole starting on either side of the arm (refer to Diagram #1)

