

# CHANDELIER 2654- \_ \_ \_

(Finish Option)

## TRIM DIAGRAM



**T**HIS DESIGN IS THE PROPRIETARY TRADE DRESS/TRADEMARK OF SWAROVSKI LIGHTING, LTD.

15 Lights  
Diameter: 23-1/2"  
Body Length: 20"

# SCHONBEK®

**CAUTION... RISK OF ELECTRICAL SHOCK.** Make sure the electrical supply to the chandelier is turned off at the main fuse or circuit breaker before doing any installation. All electrical components must be installed by a licensed electrician in accordance with the National Electric Code and the appropriate local electrical codes.

**HANGING WEIGHT:** 22 pounds.

**BULBS:** 13 - Flame shaped candelabra base B10 bulbs, recommend 25 watts for best appearance.

2 - Round shaped candelabra base G16-1/2 bulbs, recommend 25 watts for best appearance.

60 - Watt Maximum

**WARNING:** This chandelier meets UL/CSA requirements. Any tampering will void UL/CSA certification.

### **MAINTENANCE:**

Use a soft, lint - free cloth to clean the metal frame.

**UNDER NO CIRCUMSTANCES SHOULD METAL POLISHES, CLEANERS, ABRASIVES OR AEROSOL SPRAYS BE USED.**

While the latest finishing techniques have been used on the metal frame, such finish cannot be unconditionally guaranteed. The main cause of deterioration, apart from certain atmospheric conditions, is improper cleaning.

To clean the crystals, polish with a damp chamois.

You are cleaning delicate crystal... Take the greatest care.

### **IMPORTANT:**

Do not clean crystals in a dishwasher. The finish of the metal clips and hangers will be ruined and the crystals may be damaged.

### **IMPORTANT**

**Please record the following information for future service.**

CODE # \_\_\_\_\_ Four-digit number on outside of carton.

**1 MAKE SURE POWER IS DISCONNECTED!!**

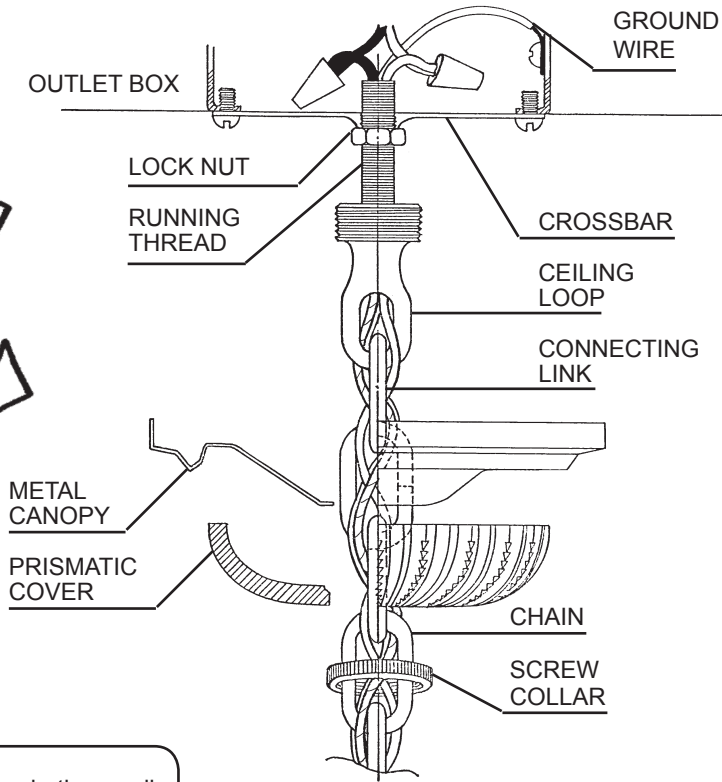
**2** Attach crossbar to outlet box.

**3** Slip screw collar, prismatic cover and metal canopy over chain. Determine the suspension length of the fixture and cut chain, if necessary. Use two connecting links to attach chain to chandelier loop and ceiling loop.

**4** Insert stem wire through chain and ceiling loop. Connect wires. Fixture **MUST** be grounded.

**5** Check distance from ceiling to loop to assure canopy assembly will be flush against ceiling.

**6** Attach canopy to ceiling with screw collar. Screw bulbs into all socket(s). Test power to insure proper wiring before hanging trim from fixture.



**7** Perspiration or oil from fingers will smear the crystals, causing a loss of brilliance. **ALWAYS USE FINGER COTS PROVIDED WHEN HANDLING CRYSTALS.** Cots should be used on thumb, index and middle fingers of each hand.

**10** Slide Chains "A" into the slots of the top gallery ring. **NOTE:** Hold onto the octagon and turn chain side ways, this will allow connector to pass through slot in metal ring. Turn octagon to face the outside of the fixture and lower it until it seats itself in the ring. Install 4" glass rods into ring 1. **NOTE:** Ring 1 has two glass rods between Chains "A".

**8** Hook Chains "B" into pin holes on ring 8. Install 4" glass rods into ring 8. **NOTE:** Ring 8 has only one glass rod between Chains "B".

**9** Repeat Step 8 for rings 7, 6, 5, 4, 3 and 2. **NOTE:** Rings 7, 6, 5, 4, 3 and 2 has two glass rods between Chains "B".

