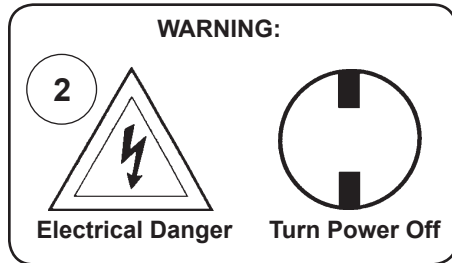


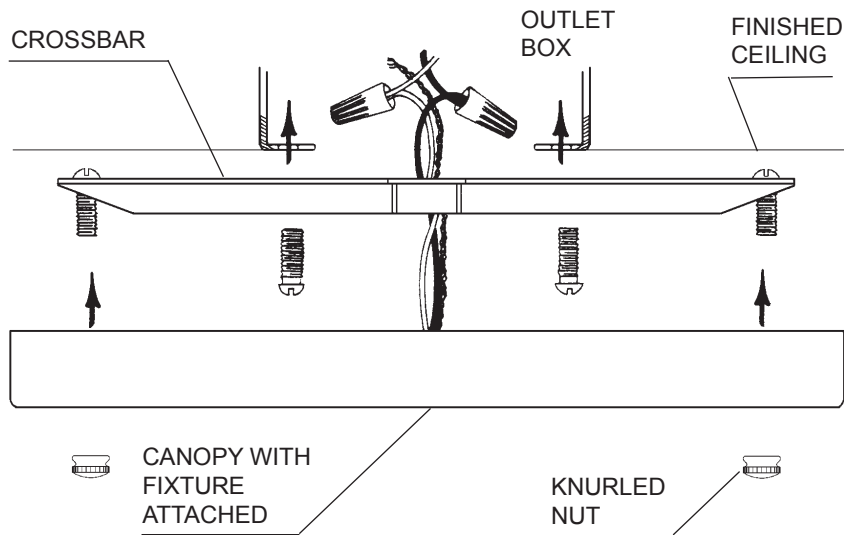
CHANDELIER 2619- _____ TRIM DIAGRAM

(Finish Option)

Instructions for electrician STEPS 2 - 5



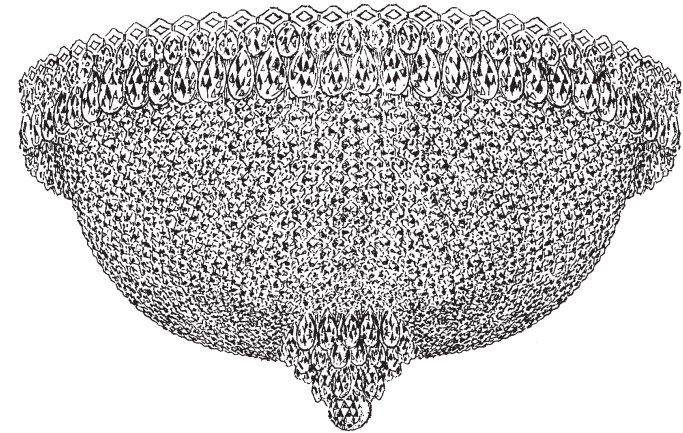
All electrical components must be installed by a licensed electrician in accordance with the National Electric Code and the appropriate local electrical codes.



3 Feed stem wires through crossbar and attach to power wires in outlet box. Fixture **MUST** be properly grounded.

4 Attach cross bar to outlet box.

5 Check distance from ceiling to assure assembly will be flush against ceiling. Attach canopy to ceiling with (4) knurled nuts, thereby retaining complete fixture against ceiling.



THIS DESIGN IS THE PROPRIETARY TRADE DRESS/TRADENAME OF SWAROVSKI LIGHTING, LTD.

14 Lights
Diameter: 24"
Body Length: 14"
Hanging Weight: 28 lbs.

SCHONBEK®

**See diagram on back page
Follow steps in exact order
Save this trim diagram for future reference**

1


IMPORTANT

Person who opens carton should record the following information for future service.

CODE # _____ Four-digit number on outside of carton.
PACKER # _____ See crystal package label.
ORDER # _____ See crystal package label.



Instructions for crystal trimming
STEPS 6 - 16

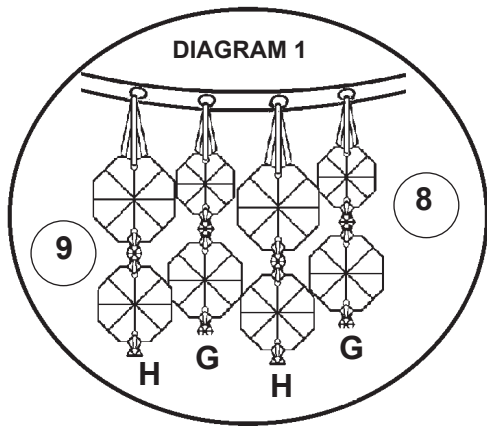


6

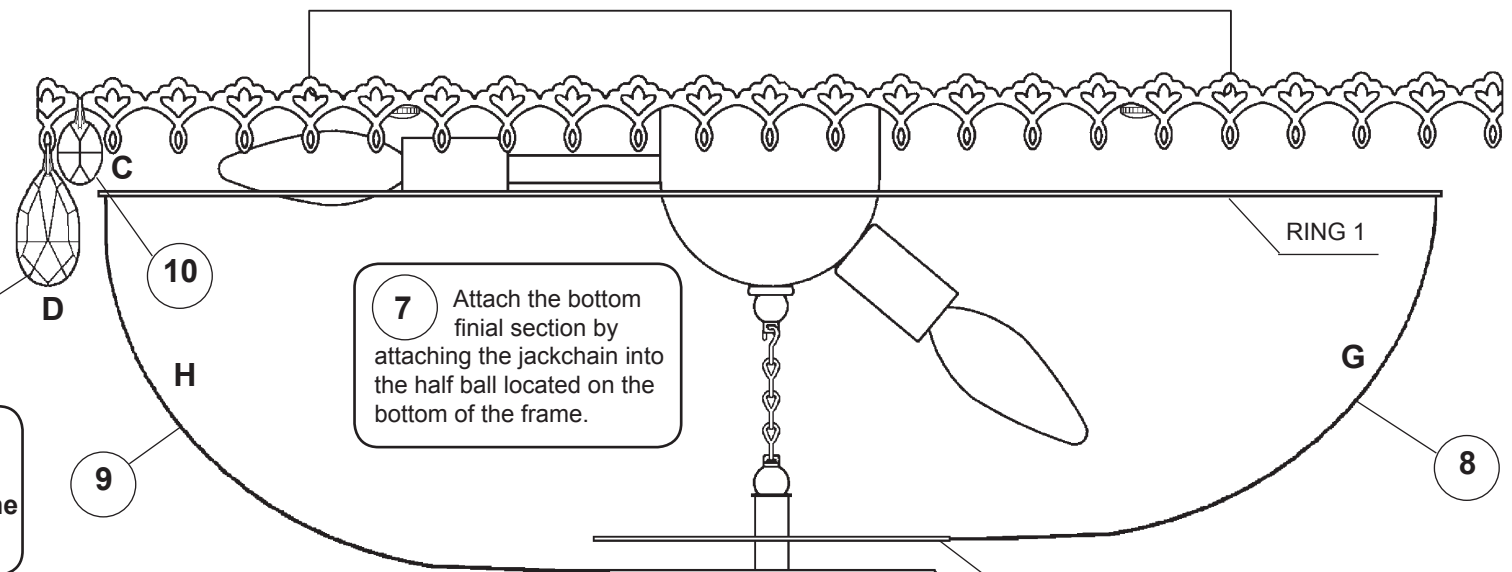
You will need 14 - B10
 25 Watts Recommended
 40 Watts Max
 MIN 90°C SUPPLY
 CONDUCTORS

**Install bulb and be sure
 to test fixture BEFORE
 trimming.**

**NOTE: Hang drop "C"
 from scallop, NOT
 through the loop on the
 gallery.**

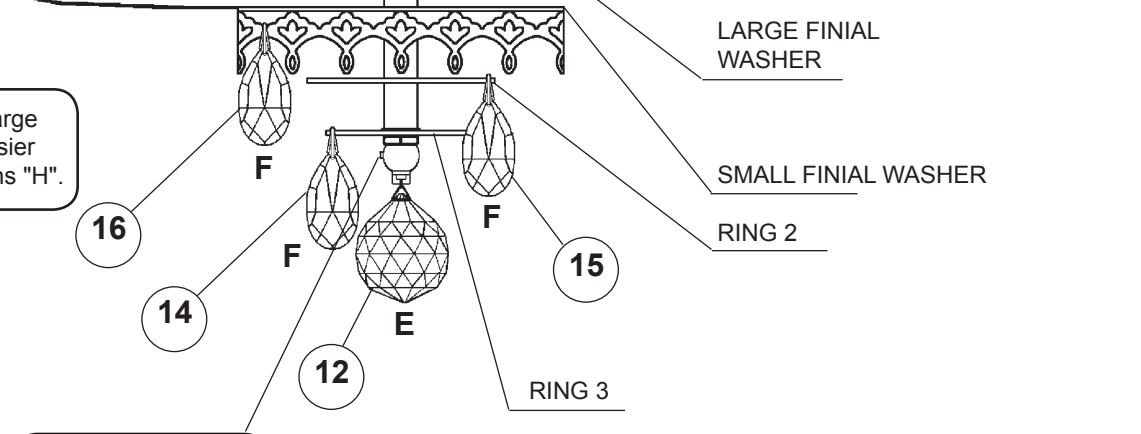


**NOTE: Larger jewels at top and graduates
 to smaller jewels toward bottom of chain.**



7 Attach the bottom
 finial section by
 attaching the jackchain
 into the half ball
 located on the
 bottom of the frame.

**NOTE: Raise the large
 finial washer for easier
 installation of Chains "H".**



13



**Tighten With
 Tool Provided.**

