

# SCHONBEK®

## CHANDELIER 2490- \_\_\_\_ TRIM DIAGRAM

(Finish Option)



THIS DESIGN IS THE PROPRIETARY  
TRADE DRESS/TRADEMARK OF  
SWAROVSKI LIGHTING, LTD.

12 Lights  
Diameter: 33"  
Body Length: 26-1/2"  
Hanging Weight: 42 lbs.

# SCHONBEK®

**Follow steps in exact order  
Save this trim diagram for future reference**

**1**

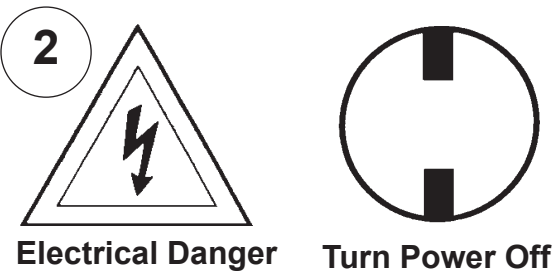
### IMPORTANT

*Person who opens carton should record the following information for future service.*

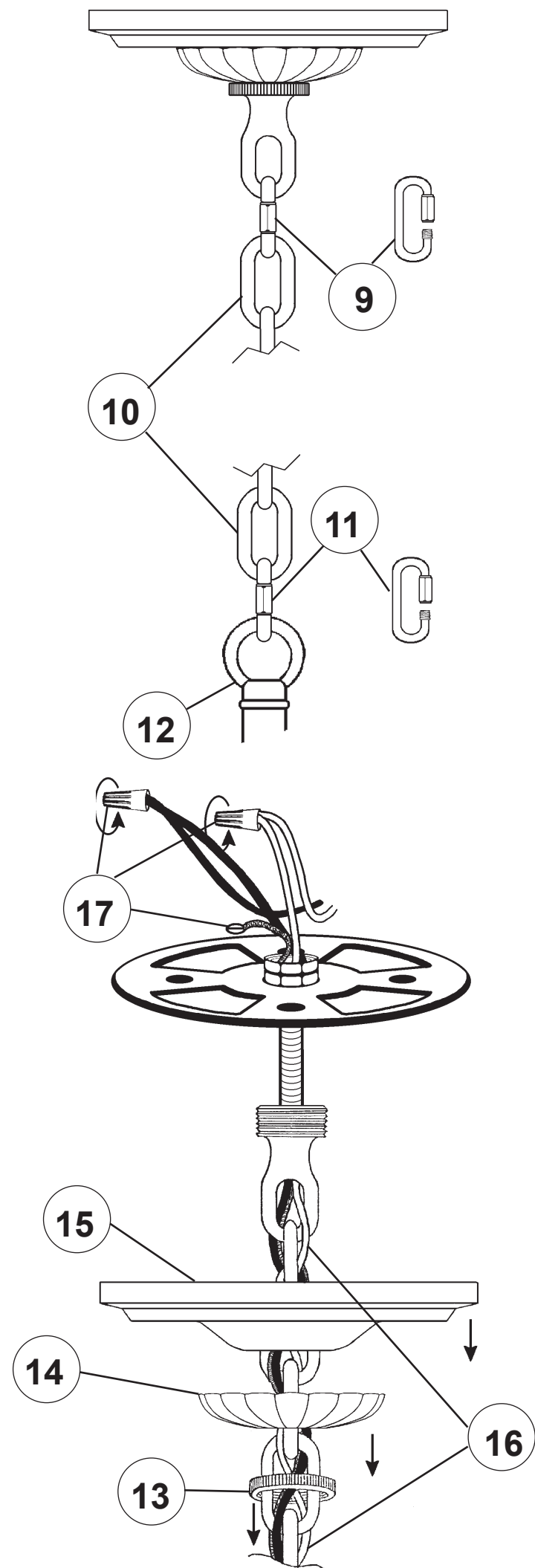
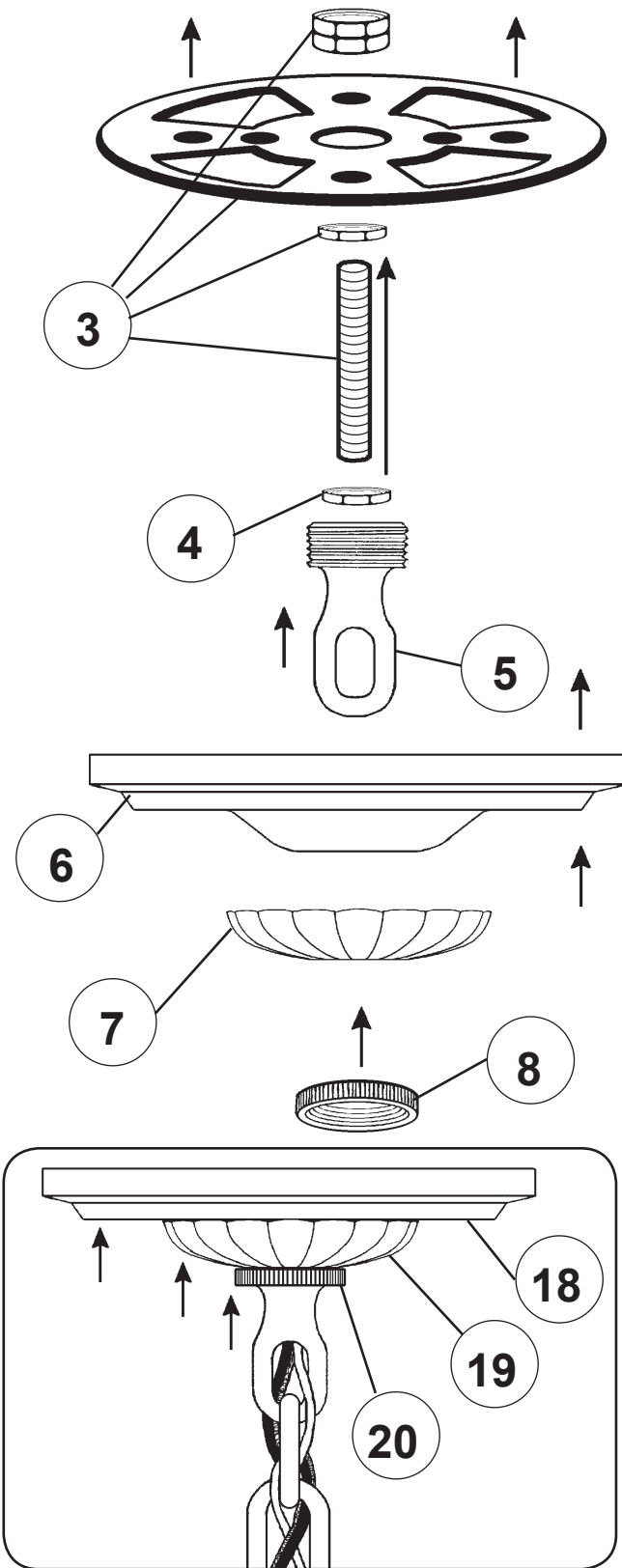
CODE # \_\_\_\_\_ Four-digit number on outside of carton.  
PACKER # \_\_\_\_\_ See crystal package label.  
ORDER # \_\_\_\_\_ See crystal package label.

**Instructions for electrician**  
**STEPS 2 - 20**

**WARNING:**



All electrical components must be installed by a licensed electrician in accordance with the National Electric Code and the appropriate local electrical codes.



**MAINTENANCE:**

Use a soft, lint - free cloth to clean the metal frame.

**UNDER NO CIRCUMSTANCES SHOULD METAL POLISHES, CLEANERS, ABRASIVES OR AEROSOL SPRAYS BE USED.**

While the latest finishing techniques have been used on the metal frame, such finish cannot be unconditionally guaranteed. The main cause of deterioration, apart from certain atmospheric conditions, is improper cleaning.

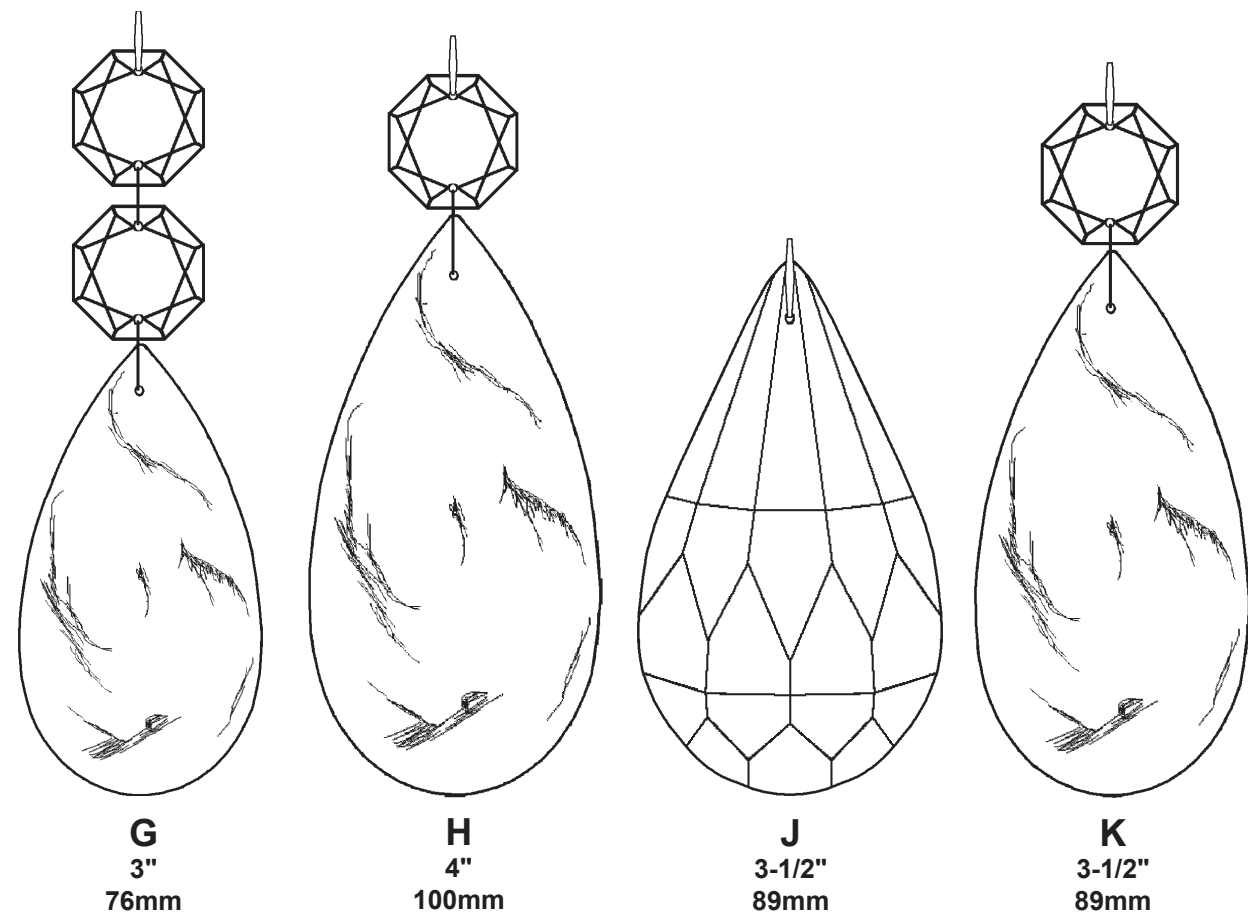
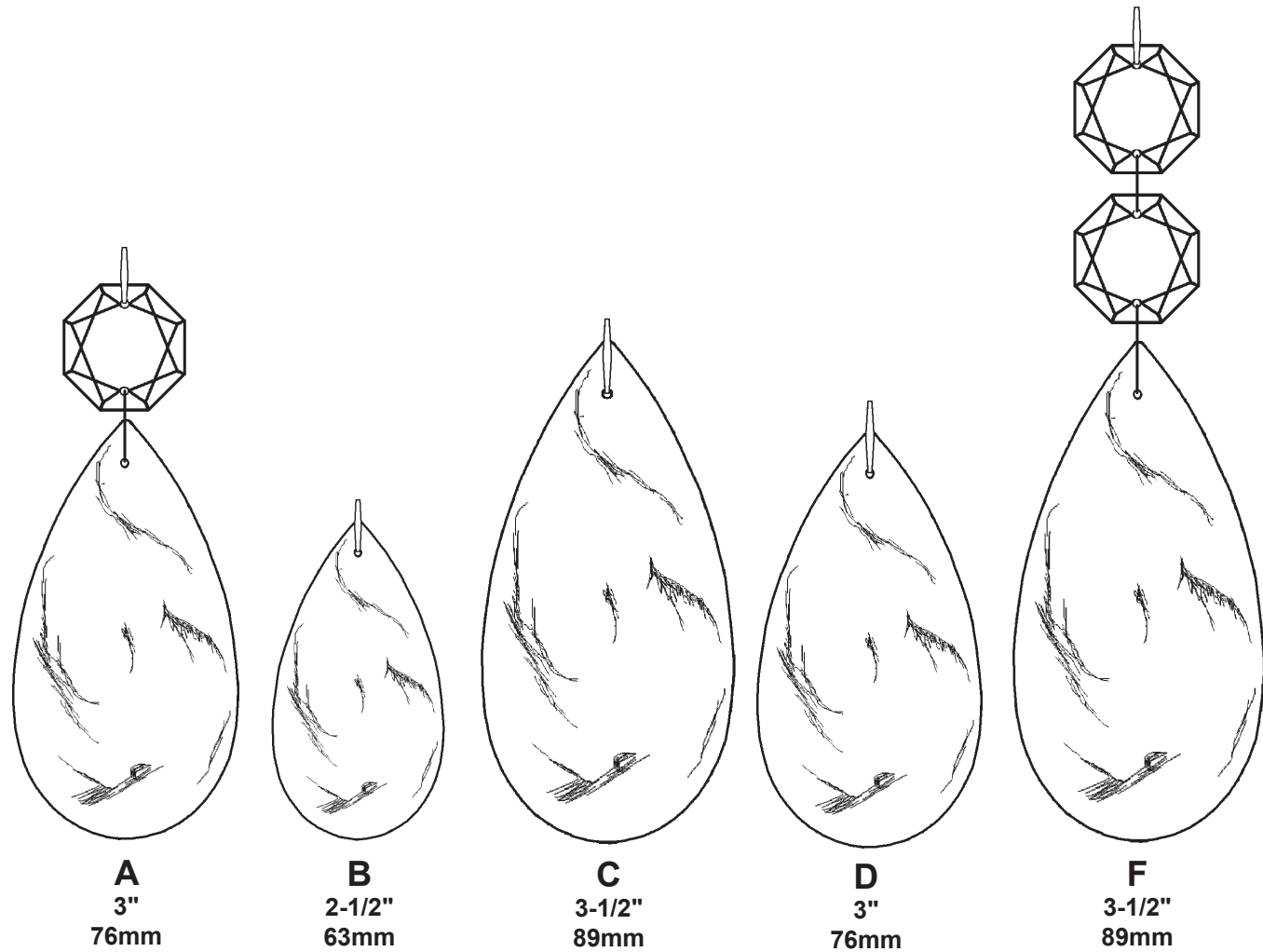
To clean the crystals, polish with a damp chamois.

You are cleaning delicate jewelry... Take the greatest care.

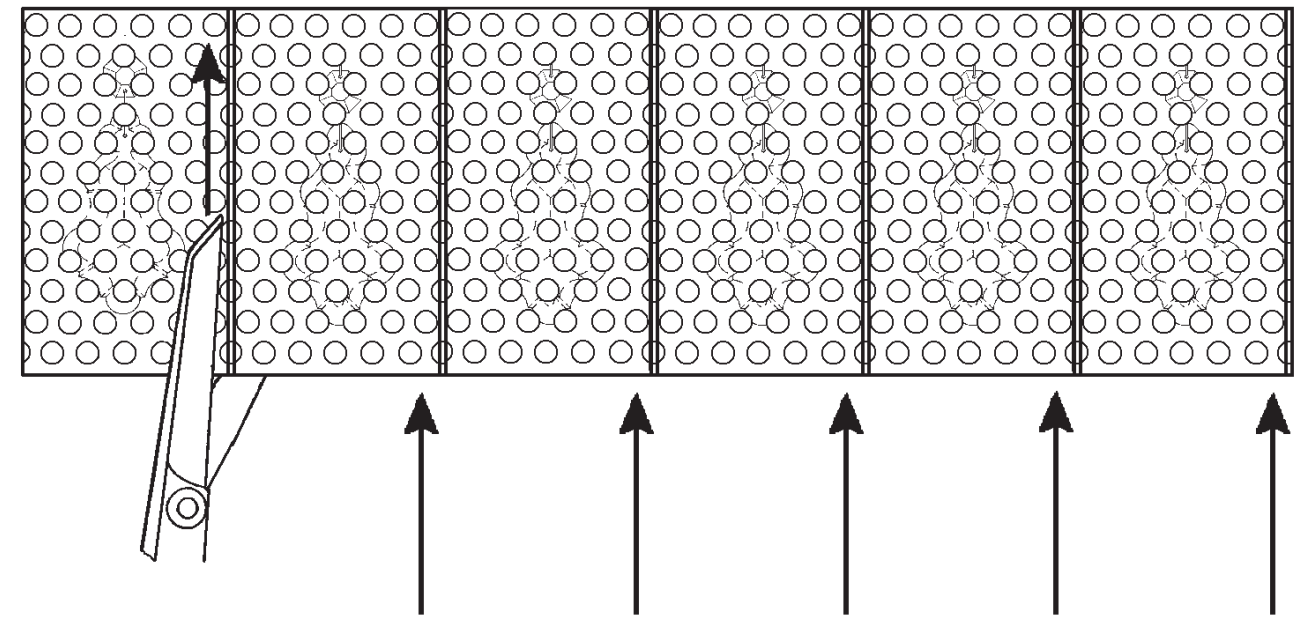
**IMPORTANT:**

Do not clean crystals in a dishwasher. The finish of the metal clips and hangers will be ruined and the crystals may be damaged.

# CRYSTAL ID SHEET



For easy removal of crystal from bubble pack, please cut along pouches on the inside of the seam. Gently remove crystal from the side of the pouch.



**NOTE:** Work on one crystal set at a time. Follow the black line from top to bottom according to the numbered steps on the trim diagram.

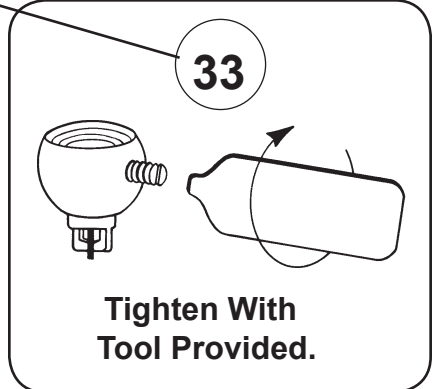
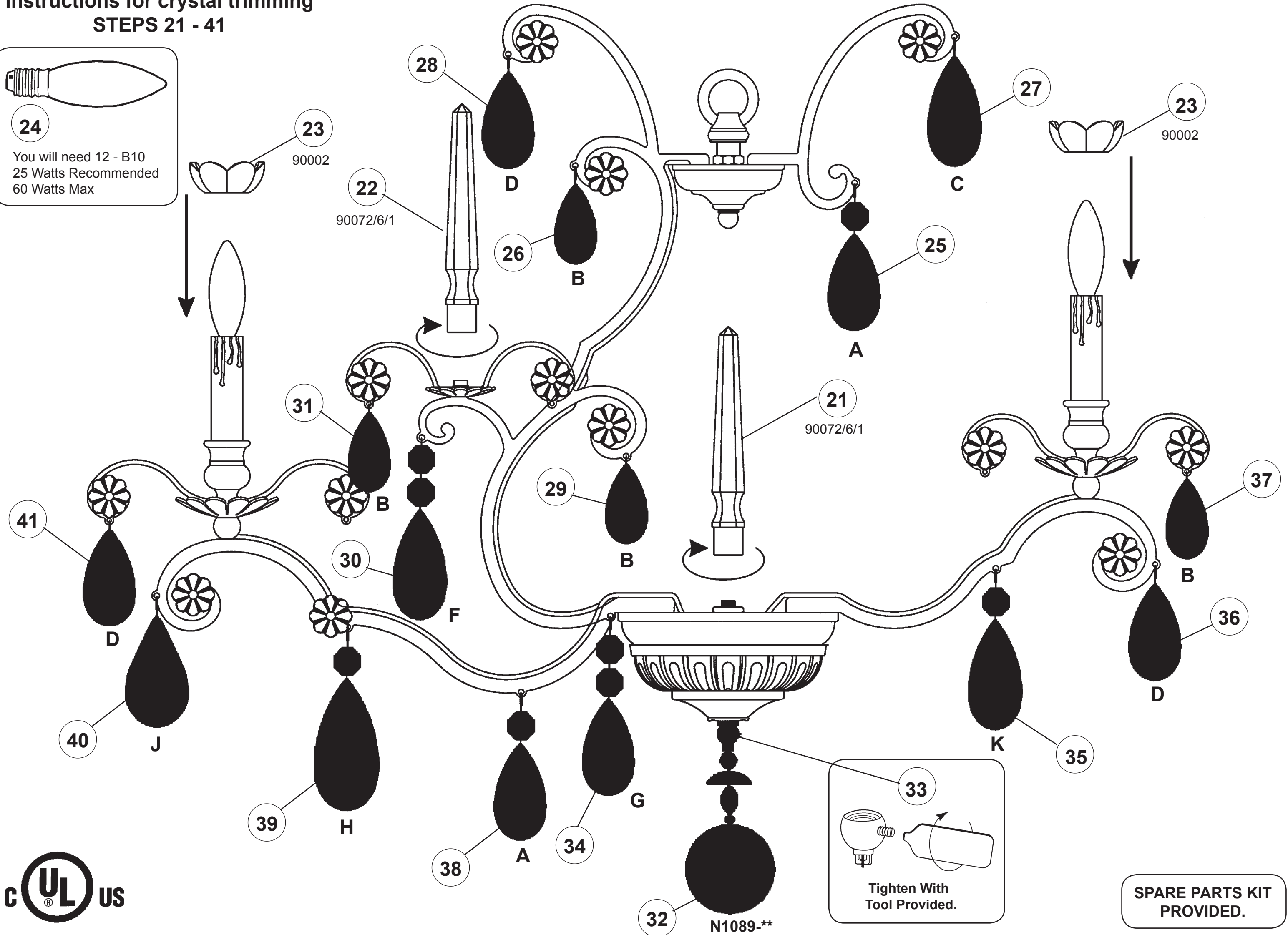


**Instructions for crystal trimming**  
**STEPS 21 - 41**



**24**

You will need 12 - B10  
25 Watts Recommended  
60 Watts Max



**SPARE PARTS KIT  
PROVIDED.**