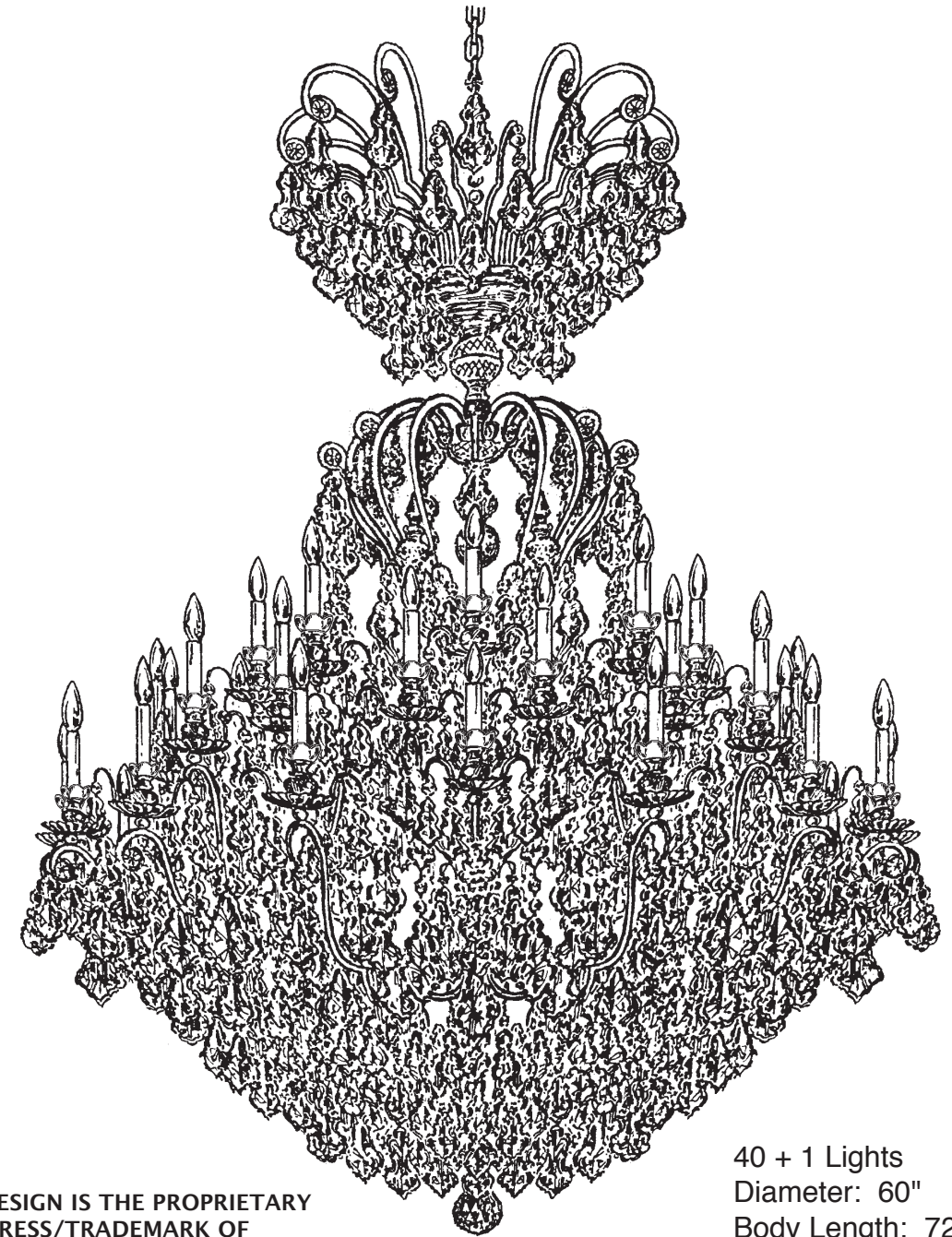


SCHONBEK®

CHANDELIER 2775-_____ (FINISH OPTION)

TRIM DIAGRAM



THIS DESIGN IS THE PROPRIETARY
TRADE DRESS/TRADEMARK OF
SCHONBEK WORLDWIDE LIGHTING
INC.

40 + 1 Lights
Diameter: 60"
Body Length: 72"
Hanging Weight: 200 lbs.

SCHONBEK®

**Follow steps in exact order
Save this trim diagram for future reference**

1

IMPORTANT

*Please record the following
information for future service.*

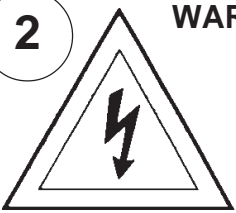
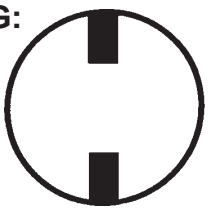
CODE # _____ Four-digit number on outside of carton.
PACKER # _____ See crystal package label.
ORDER # _____ See crystal package label.

SCHONBEK IS A WORLD LEADER IN CHANDELIER DESIGN. PATENTS INCLUDE:
#D5,222,805 & #D374,498

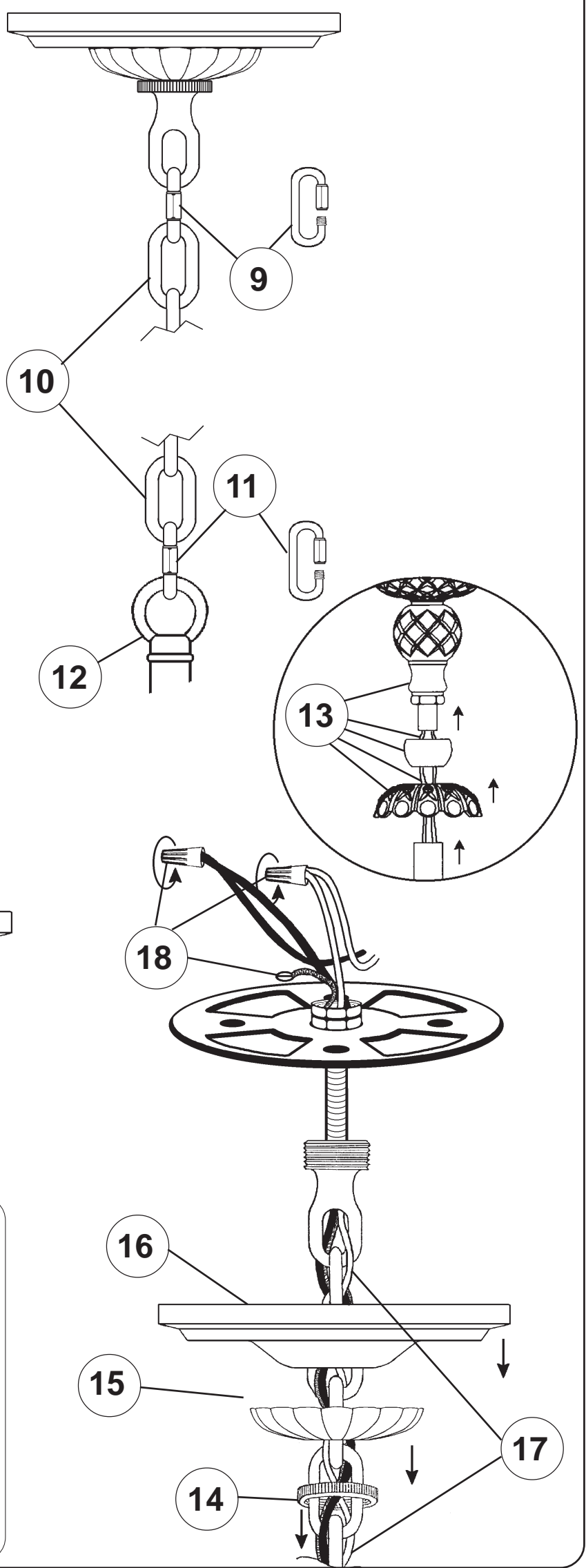
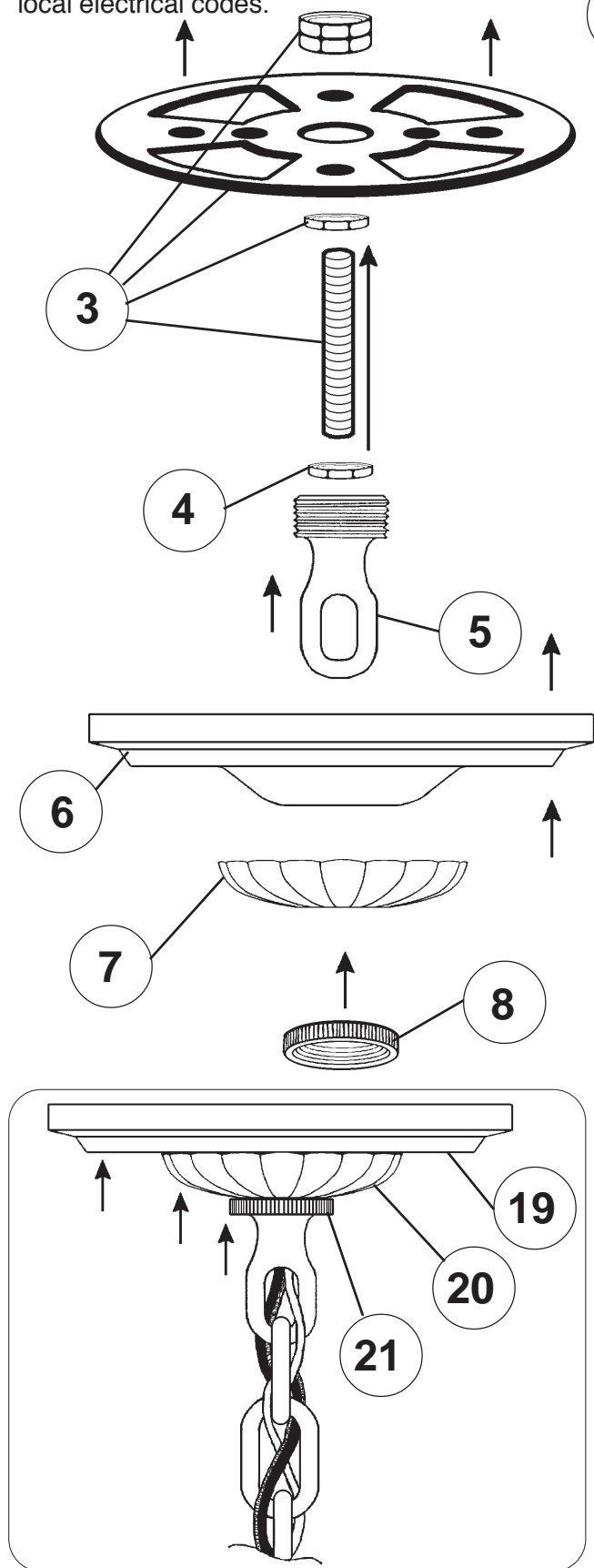
Instructions for electrician

STEPS 2 - 21

WARNING: THIS LUMINAIRE MUST BE MOUNTED OR SUPPORTED INDEPENDENTLY OF AN OUTLET BOX.

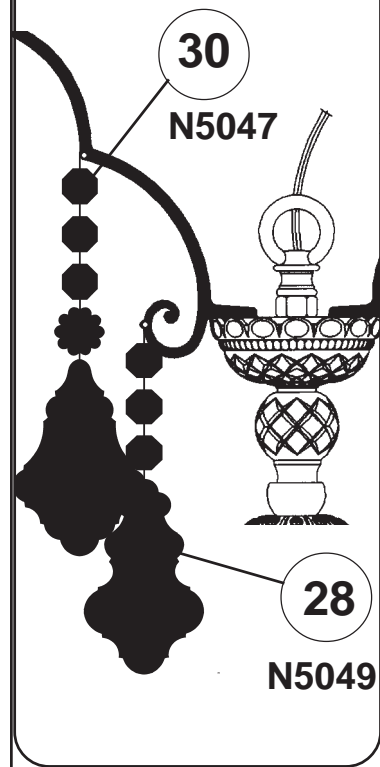
2 **WARNING:**  
Electrical Danger Turn Power Off

All electrical components must be installed by a licensed electrician in accordance with the National Electric Code and the appropriate local electrical codes.

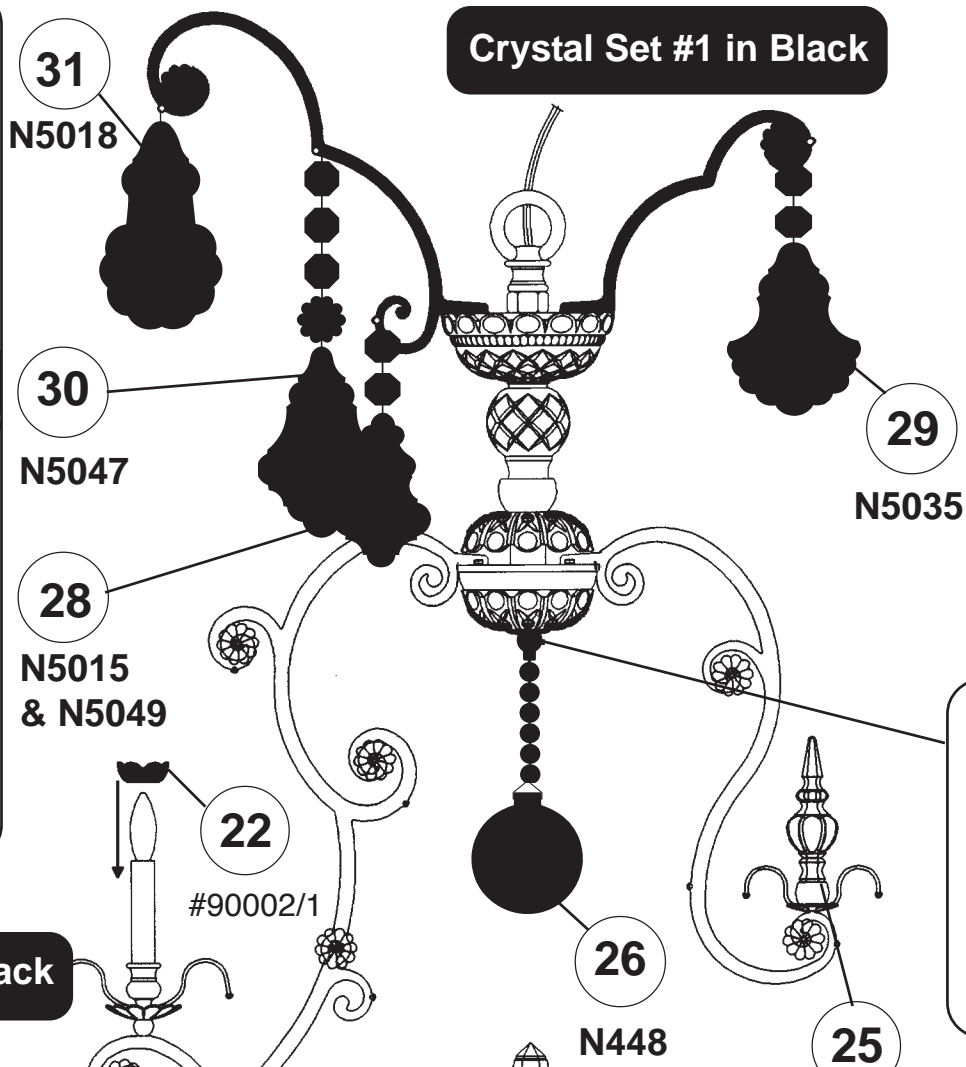


NOTES

ALTERNATE:



Crystal Set #1 in Black



Instructions for crystal trimming STEPS 22 - 62

23

You will need 1 - T7
15 Watts Max
(Center Light)

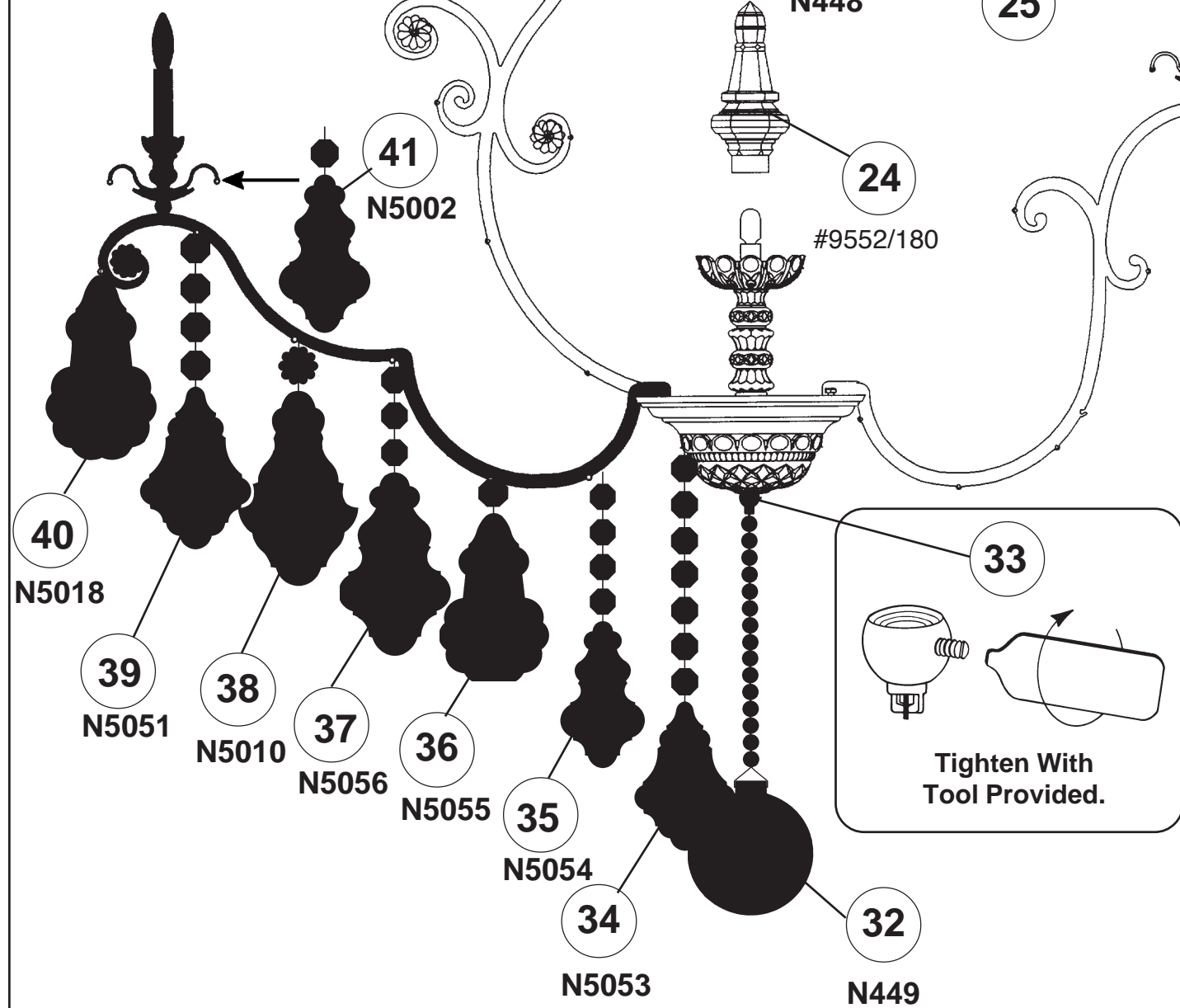
You will need 40 - B10
25 Watts Recommended
60 Watts Max

Install bulbs and be
sure to test fixture
BEFORE trimming.

27

Tighten With
Tool Provided.

Crystal Set #4 in Black



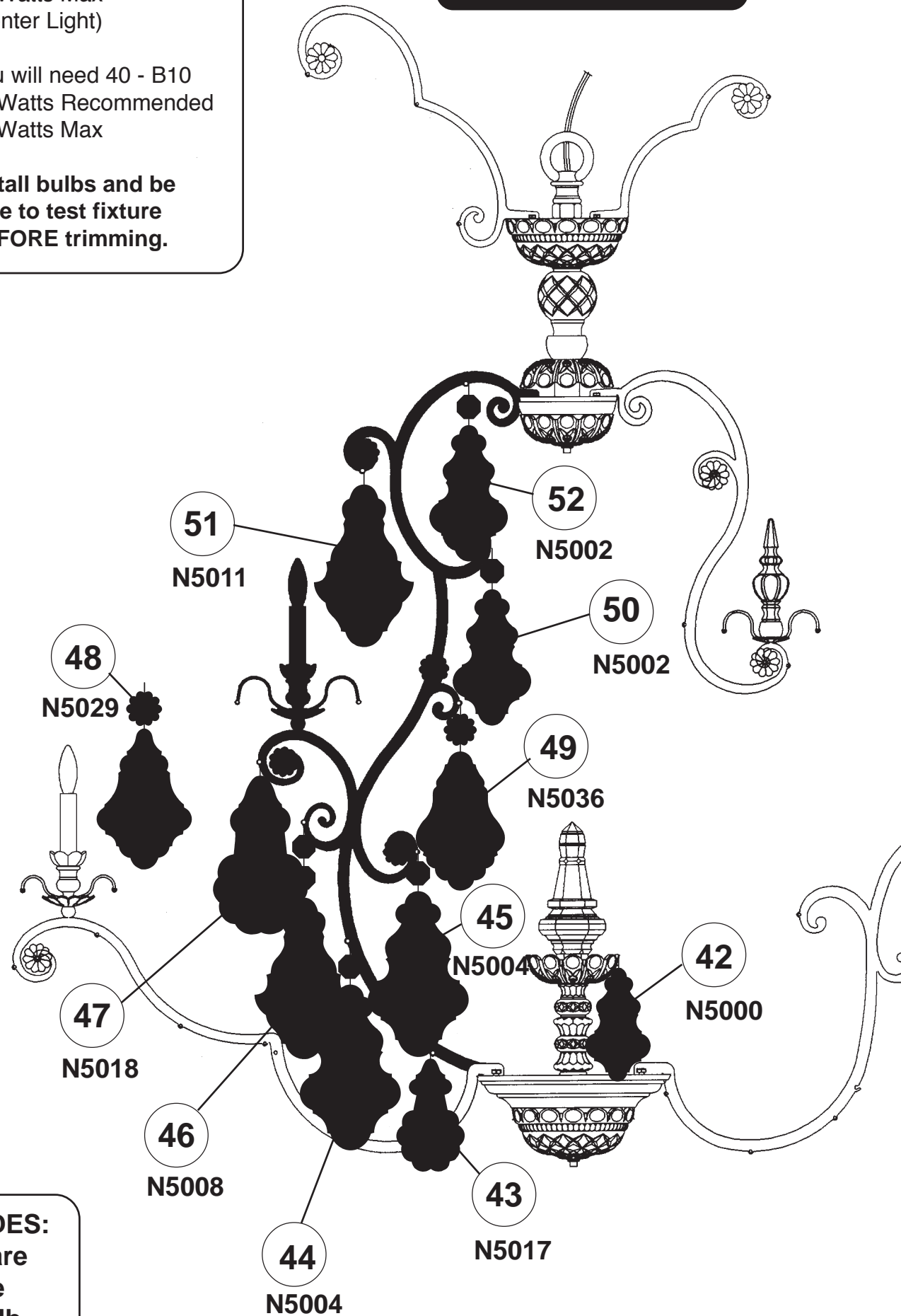
33

Tighten With
Tool Provided.

FIXTURE INCLUDES:
Hanger Hardware
Trim - Frame
1 - T7 Light Bulb

DOES NOT INCLUDE:
C10 - Light Bulbs

Crystal Set #2 in Black



SPARE PARTS KIT
PROVIDED.

