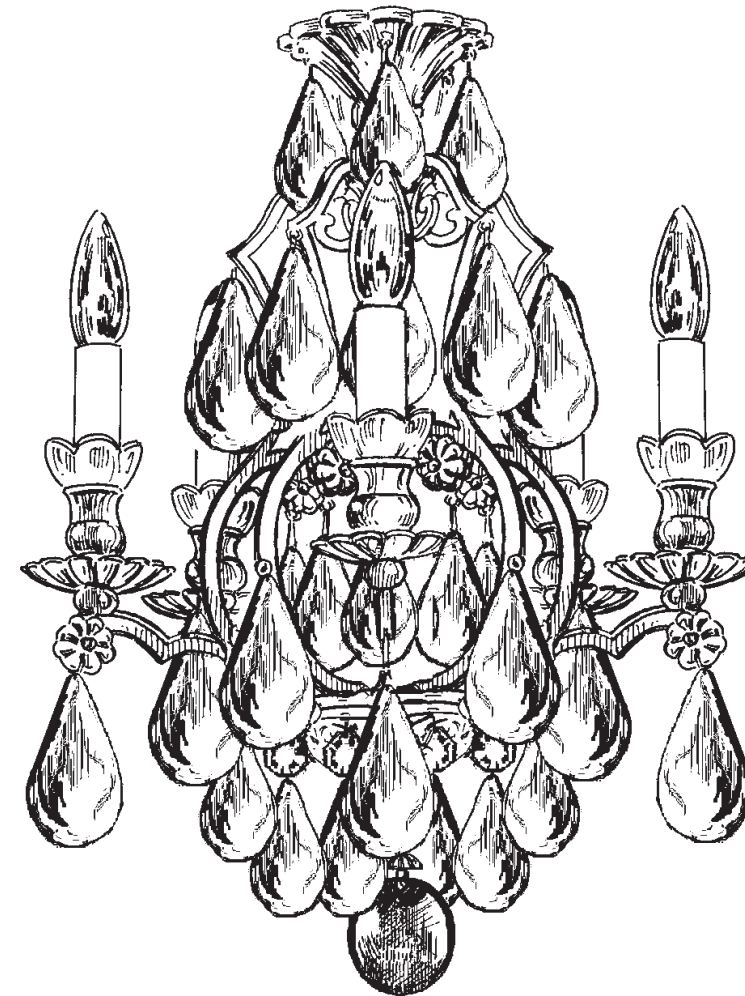




**SCHONBEK®**

**VERSAILLES 2469- \_ \_ \_**



**T**HIS DESIGN IS THE PROPRIETARY TRADE DRESS/TRADEMARK OF SWAROVSKI LIGHTING, LTD.

5 Lights  
Diameter: 14-1/2"  
Body Length: 20"  
Hanging Weight: 8 lbs.

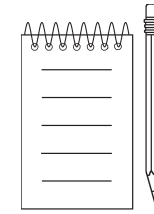
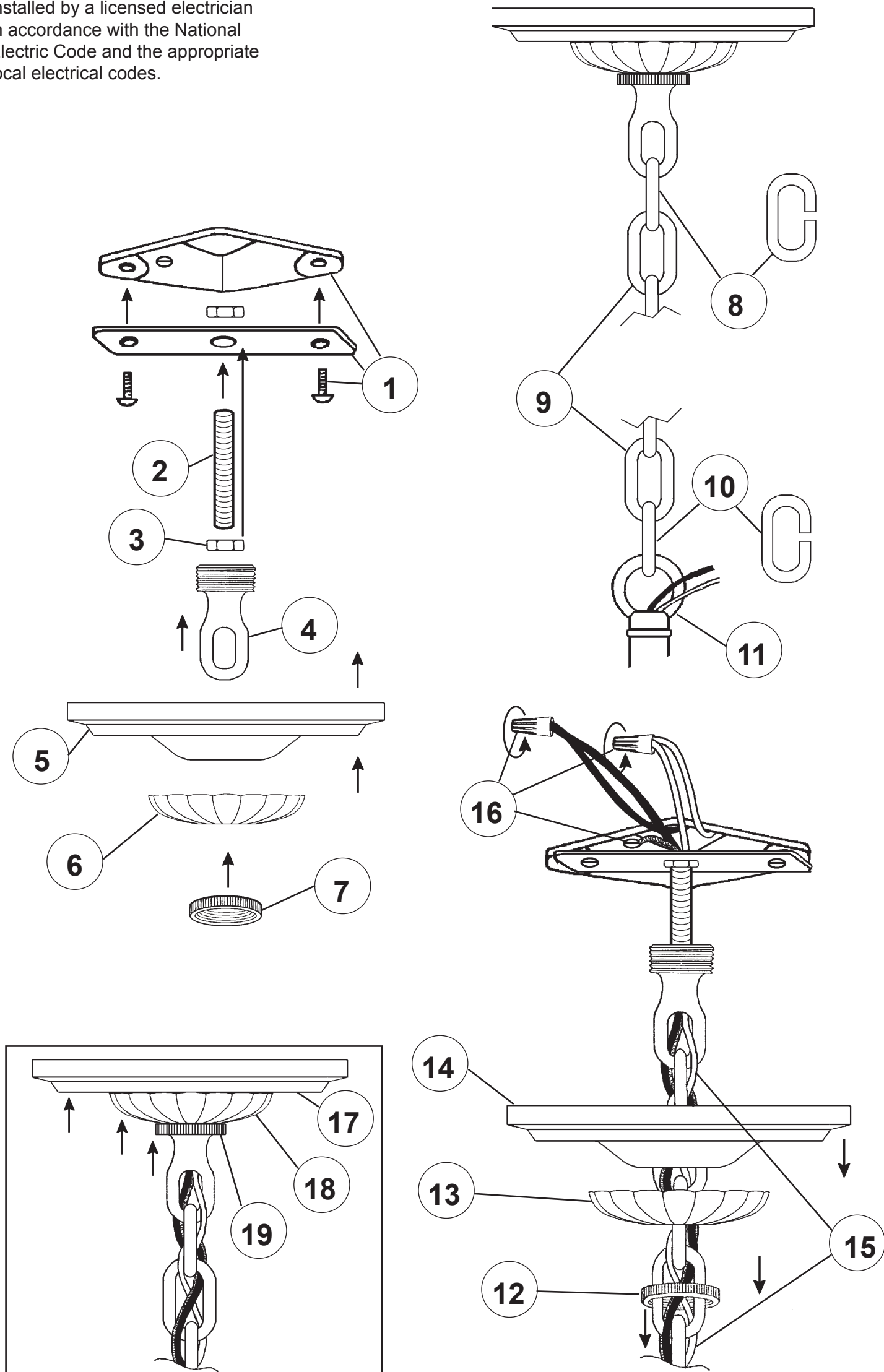


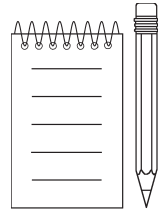
**SCHONBEK®**

MAX <u>60</u> W		110-120 V						

SCHONBEK® is a member of the Swarovski group.

All electrical components must be installed by a licensed electrician in accordance with the National Electric Code and the appropriate local electrical codes.





**A**  
1-1/2"  
38mm



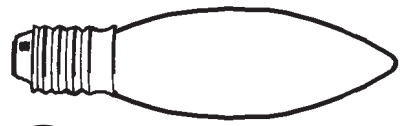
**B**  
2-1/2"  
63mm



**D**  
2-1/2"  
63mm



**E**  
3"  
76mm



**21** 5 - B10  
60 Watts Max  
25 Watts Recommend

