

Contents

Introduction	1
Standard Features*	1
Lock Assembly Drawing Index	3
Trim Assemblies	15-34
Single Dummy Trim: L0170	15
Double Dummy Trim: L0172	16
L400-Series Deadbolt Trim: L460, L462, L463, L464, L480, L496	17
Passage Latch Trim: L9010	18
Emergency Button x Turn Trim: L9040, LV9040, L9440, LV9440	19
Privacy x Turns Both Sides Trim: L9040 x XL11-446, LV9040 x XL11-446	20
Coin Turn Outside x Turn Trim: L9044, LV9044, L9444, LV9444	21
Cylinder x Turn Trim: L9050, LV9050, L9056, LV9056, L9453, LV9453, L9456, LV9456, L9473	22
Double Cylinder Trim: L9060, LV9060, L9071, LV9071, L9077, LV9077, L9082, LV9082, L9457, LV9457, L9462 x XL11-886, L9466	23
Cylinder Outside Trim: L9070, LV9070, L9076, LV9076, L9080, LV9080, L9080EL/EU, LV9080EL/EU, L9080EL/EU-RX, L9464 x XL11-886, L9465	24
Electrically Locked/Unlocked Both Sides Trim: L9082EL/EU	25
Active Double Dummy Trim: L9110 x XL11-741	26
Single Dummy with Case Trim: L9175, L9177 (Discontinued)	27
Double Dummy with Case Trim: L9176, L9178 (Discontinued)	28
L9000-Series Deadbolt Trim: L9460, L9462, L9463, L9464	29
Deadbolt with Fixed Double Dummy Trim: L9460 x XL11-635	30
Fixed Outside x Turn Trim: L9460 x XL11-886, L9480, LV9480, L9485, LV9485	31
Institution Deadbolt Trim: L9482 x XL11-543, LV9482 x XL11-543	32
Prison Lock Trim: L9485 x XL11-557	33
Hotel with Indicator Trim: L9486, LV9486, L9486 x L583-375, LV9486 x L583-375, L9496, LV9496	34
Trim Assemblies Chart	36-47
Lock Case Assemblies	48-85
L460, L462, L463, L464, L480, L496	48
L9010	49
L9040, L9040 x XL11-446, L9044	50
LV9040, LV9040 x XL11-446, LV9044	51
L9050, L9060, L9070, L9071	52
LV9050, LV9060, LV9070, LV9071	53
L9056	54
LV9056	55
L9076, L9077	56
LV9076, LV9077	57
L9080	58
LV9080	59
L9080EL, L9080EL-RX	60
LV9080EL	61
L9080EU, L9080EU-RX	62
LV9080EU	63
L9082	64
LV9082	65
L9082EL	66

L9082EU.....	67
L9110 x XL11-741	68
L9175.....	69
L9176.....	70
L9440, L9444.....	71
LV9440, LV9444.....	72
L9453.....	73
LV9453.....	74
L9456, L9457, L9496.....	75
LV9456, LV9457, LV9496	76
L9460, L9462, L9463, L9464.....	77
L9460 x XL11-635	78
L9460 x XL11-886, L9462 x XL11-886, L9464 x XL11-886.....	79
L9465, L9466, L9473.....	80
L9480, L9485, L9486, L9486 x L583-375.....	81
LV9480, LV9485, LV9486, LV9486 x L583-375.....	82
L9482 x XL11-543	83
LV9482 x XL11-543	84
L9485 x XL11-557	85
Lock Case Assembly Compatibility	86
Assembly of Lock Case Parts.....	87-88
Trim Options.....	89
Cast or Forged Lever Designs	89
Rose Trim A or B	91
L Escutcheon Trim	92
N Escutcheon Trim.....	94
Decorative Trim	95
danmark Stainless Steel Levers	96
Trim Options.....	97
Coin Turn.....	97
Coin Turn and Plug	97
"Do Not Disturb" Indicator.....	97
"Occupied" Indicator	97
Thumbturn	97
ADA Cylinder Turn	97
Cylinder Turn.....	97
"EZ" Thumbturn (ADA) for Rose Trim.....	97
"EZ" Thumbturn (ADA) x Knob/Lever with L or N Escutcheon.....	97
"EZ" Thumbturn (ADA) x Blank with L Escutcheon.....	97
Emergency Turn.....	98
Emergency Button	98
Modified Inside and Outside 03 Lever for Folger Adam Co. [®] Lever Trak™	98
Tactile Warning (Knurling).....	98
Trim Assembly Parts.....	99
Escutcheon Thru-Bolt/Screws.....	99
Standard Screw Packs.....	99
Tamper Resistant Torx Screw Packs.....	99
Drivers to Operate Occupancy Indicator.....	99

Mounting Posts	100
Spindles and Springs.....	100
Mounting Plate for Trim One Side Only.....	100
Armor Fronts	101
Strikes	102
Cylinder Specifications	103
Full Face Cylinders	104
Concealed Cylinders	106
Full Size Interchangeable Cores.....	108
Small Format Interchangeable Core	111
Blocking and Compression Rings	113
Dimensions for Blocking Rings	113
Full Size Core Blocking Ring Requirements, L-Series and LV-Series	113
SFIC Blocking Ring Requirements, L-Series and LV-Series	113
Special Options.....	114
Solid Latchbolt	114
Armor Front with Deadbolt Hole	114
L9000 Lead Lining XL11-515.....	114
L400 Lead Lining XL12-216.....	114
Anti-Ligature Knob Trim	114
Anti-Ligature Thumbturn	114
Anti-Ligature Conversion Kits	114
Special Cylinder Applications	114
Installation Tools and Kits.....	115
40-054 Maintenance Kit Contents	115
Electrically Locking	116
L9080 EL Electrically Locked (Fail Safe):	116
L9080 EU Electrically Unlocked (Fail Secure):	116
Request to Exit (RX) Feature*.....	116
L9082 EL or EU Electrically Locked or Unlocked Both Sides:	116
Replacement Kit.....	116
Electrical Requirements:.....	116
Typical Installation:.....	116
Lubrication Specifications	117
Door Handing	118
Changing the Lock Hand	118
Changing Cylinder Turn Hand.....	118
L9000-Series Installation Sheet–Page 1	119-134
L400-Series Installation Sheet–Page 1	135-136
Ordering Procedures	137
Finishes	138
Finish Codes and Descriptions.....	138
Limited Warranty	139

Introduction

This manual contains a complete listing of parts and assemblies for L-Series mortise locks manufactured by Schlage Lock Company. This edition lists components of L-Series locks manufactured after June, 2001. All lock case covers are labeled with dates to identify year of manufacture. Example: 12507 = the 125th day of 2007.

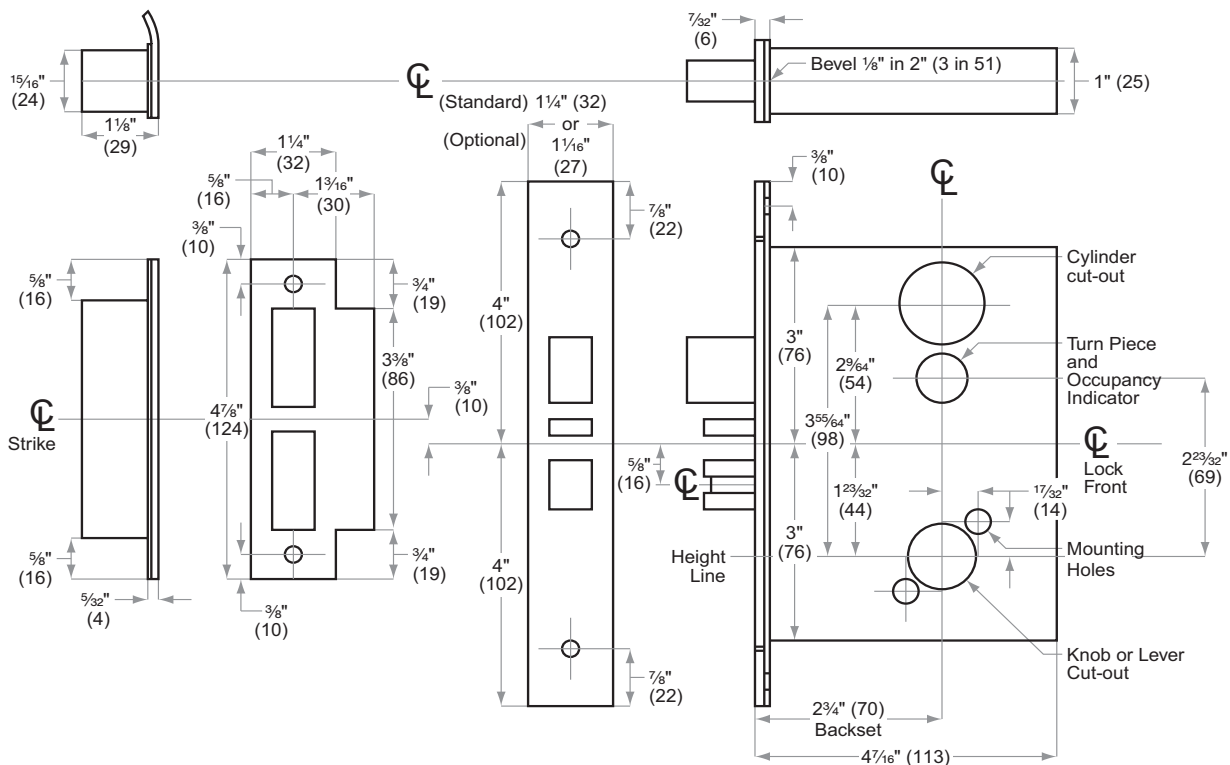
Exploded views of each lock function and trim assembly are provided with accompanying charts to identify parts for replacement purposes. Exploded views of trim are shown with parts for standard size doors. In addition, this manual provides lock trim ordering procedures, cylinder length charts by door range, and all auxiliary components of the L-9000/LV-9000 and L400-Series mortise locks.

Standard Features*

Certifications	L/LV9000: ANSI A156.13, 1994, Series 1000, Grade 1 Operational, Grade 1 Security, UL Listed for 3 hour fire door (except L9076 and L9077). With Interchangeable Core Cylinders: Grade 2 Security L400: ANSI A156.5, 2001, Grade 1, UL Listed for 3 hour fire door.
Case Size	4 ⁷ / ₁₆ " x 6 ¹ / ₁₆ " x 1"; L400: 4 ⁷ / ₁₆ " x 3 ⁵ / ₈ " x 1"
Armor Front	L/LV9000: 1 ¹ / ₄ " x 8"; L400: 1 ¹ / ₄ " x 5 ¹⁹ / ₃₂ "
Deadbolt	1" Throw stainless steel
Latchbolt	1/2" Throw stainless steel with anti-friction tongue
Strike	L/LV9000: 1 ¹ / ₄ " x 4 ⁷ / ₈ ", Square corner, 1 ³ / ₁₆ " lip, box; L400: 1 ¹ / ₈ " x 3 ⁵ / ₈ ", Square corner, box
Backset	2 ³ / ₄ "
Cylinder	6-Pin solid brass, keyed 6-pin, C123 keyway, keyed different (KD)*
Door Range	1 ³ / ₄ " and up
Keys	Two nickel silver cut keys per lock, 6-pin, C123 section*

* Items specified in C keyway will be furnished with cylinders keyed 5-pin and with 5-pin keys unless otherwise specified.

NOTE: Locks are furnished with standard features unless otherwise specified.



Introduction

Dot Charts

• = (1) Part

2 = (2) Parts

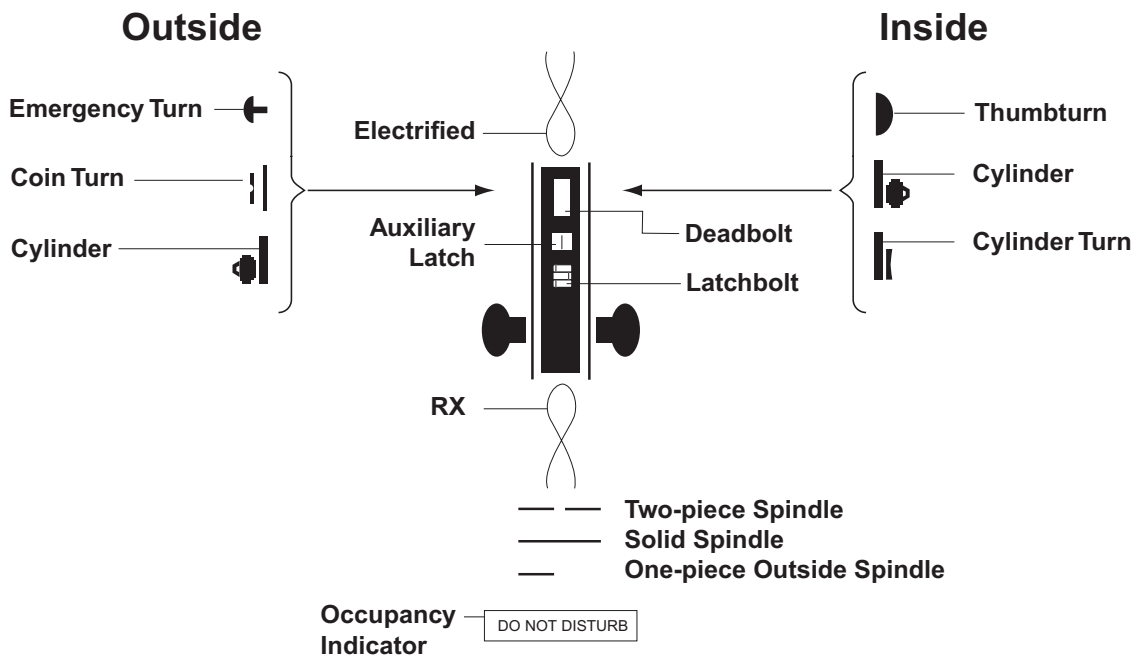
Example:

P/N	Description	L9110/XL11-741	L9175	L9176	L9177 (disc)	L9178 (disc)	L9410 (disc)	L9440	LV9440	L9444*	LV9444*	L9453	LV9453	L9456	LV9456	L9457	LV9457	L9460	L9460/XL11-635	L9460/XL11-886	L9462	L9462/XL11-886	L9463	L9464	L9464/XL11-886	L9465	L9466	L9473	L9480	LV9480	L9482/XL11-543	LV9482/XL11-543	L9485	LV9485	L9485/XL11-557**	LV9485/XL11-557	L9486***Z	LV9486***Z	L9496	LV9496					
30-001	Classic Mortise Cylinder						•					•	•		•	•	•	•	•	•	•	•	•	•	•	•	•	•	•	•	•	•	•	•	•	•	•	•	•	•	•	•	•	•	•

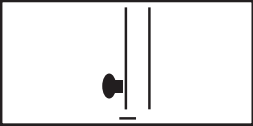
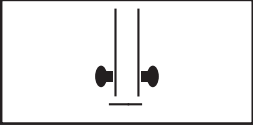






All parts shown in dot charts are standard. Additional options may be available. See current Schlage Price Book for available options, pricing and ordering procedures.

Lock Assembly Drawing Index

The Lock Assembly Drawing Index provides representations and descriptions of available functions. Page numbers for full trim and chassis drawings are referenced.



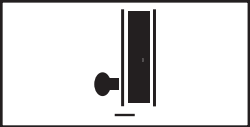



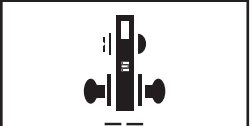


Lock Assembly Drawing Index







FUNCTIONS ANSI/BHMA A156.13, 1994, Series 1000, Grade 1		Trim Assembly Page Number	Lock Assembly Page Number	Lock Case Page Number
Non-Keyed Locks				
SCHLAGE ANSI				
L0170				
	Single Dummy Trim Knob/lever on one side is fixed by mounting bar.	15	—	—
L0172				
	Double Dummy Trim Knob/lever on both sides is fixed by mounting bar.	16	—	—
L9010 F01				
	Passage Latch ⌘ Latchbolt is always retracted by knob/lever from either side.	18	49	L283-131
L9040 F22				
	Bath/Bedroom Privacy Lock Latchbolt is retracted by knob/lever from either side unless outside is locked by inside thumbturn. Turning inside knob/lever or closing door unlocks outside knob/lever. To unlock from outside, remove emergency button, insert emergency turn in access hole and rotate.	19	50	L283-132
LV9040				
	Bath/Bedroom Privacy Lock with Vandgard® Latchbolt is retracted by knob/lever from either side unless outside is locked by inside thumbturn. Turning inside knob/lever or closing door unlocks outside knob/lever. To unlock from outside, remove emergency button, insert emergency turn in access hole and rotate. Vandgard function allows exterior lever to rotate freely down while remaining securely locked.	19	51	L283-171+
L9040 x XL11-446				
	Privacy with Turns Both Sides Latchbolt is retracted by knob/lever from either side unless outside is locked by inside or outside thumbturn. Turning inside knob/lever or closing door unlocks outside knob/lever. Specify per XL11-446.	20	50	L283-132
LV9040 x XL11-446				
	Privacy with Turns Both Sides with Vandgard® Latchbolt is retracted by knob/lever from either side unless outside is locked by inside or outside thumbturn. Turning inside knob/lever or closing door unlocks outside knob/lever. Vandgard function allows exterior lever to rotate freely down while remaining securely locked. Specify per XL11-446.	19	51	L283-171+
L9044				
	Privacy with Coin Turn Outside Latchbolt is retracted by knob/lever from either side unless outside is locked by inside thumbturn or outside coin turn. Operating inside knob/lever, closing door, rotating inside thumbturn or outside coin turn unlocks outside knob/lever. Available in rose trim only. Specify per L283-056 for Torx screws. (Previously XL11-868).	21	50	L283-132

+ Not sold separately as a part.

⌘ Available with Request to Exit feature.

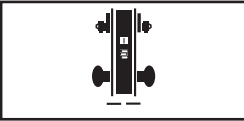






FUNCTIONS ANSI/BHMA A156.13, 1994, Series 1000, Grade 1		Trim Assembly Page Number	Lock Assembly Page Number	Lock Case Page Number
Non-Keyed Locks				
SCHLAGE ANSI				
LV9044				
	<p>Privacy with Coin Turn Outside with Vandlgard® Latchbolt is retracted by knob/lever from either side unless outside is locked by inside thumbturn. Operating inside knob/lever, closing door, rotating inside thumbturn or outside coin turn unlocks outside knob/lever. Available with rose trim only. Vandlgard function allows exterior lever to rotate freely down while remaining securely locked. Specify per L283-056 for Torx screws.</p>	21	51	L283-171+
L9110 x XL11741				
	<p>Double Dummy with Active Trim Knob/lever is always active on both sides. Includes lock case and armor front. Specify XL11-741 for use on active door, or specify XL11-743 for use on inactive door (furnished with armor front with cutout to receive deadbolt).</p>	26	–	–
L9175				
	<p>Single Dummy with Lock Case Inoperable knob/lever on one side. Includes lock case and armor front.</p>	27	69	L283-144
L9176				
	<p>Double Dummy with Lock Case Inoperable knob/lever on both sides. Includes lock case and armor front.</p>	28	70	L283-145
L9440				
	<p>Privacy with Deadbolt Latchbolt is retracted by knob/lever from either side. Deadbolt is thrown or retracted by inside thumbturn. Throwing deadbolt locks outside knob/lever. Rotating inside knob/lever simultaneously retracts deadbolt and latchbolt and unlocks outside knob/lever. To unlock from outside, remove emergency button, insert thumbturn in access hole and rotate. (Previously XL11-761).</p>	19	71	L283-062
LV9440				
	<p>Privacy with Deadbolt with Vandlgard® Latchbolt retracted by knob/lever from either side. Deadbolt is thrown or retracted by inside thumbturn. Throwing deadbolt locks outside knob/lever. Rotating inside knob/lever simultaneously retracts deadbolt and latchbolt and unlocks outside knob/lever. To unlock from outside, remove emergency button, insert thumbturn in access hole and rotate. Vandlgard function allows exterior lever to rotate freely down while remaining securely locked.</p>	19	72	L283-181+
L9444				
	<p>Privacy with Deadbolt and Coin Turn Latchbolt is retracted by knob/lever from either side. Deadbolt is thrown or retracted by inside thumbturn or outside coin turn. Throwing deadbolt locks outside knob/lever. Rotating inside knob/lever simultaneously retracts deadbolt and latchbolt and unlocks outside knob/lever. Rotating outside coin turn retracts deadbolt and unlocks outside knob/lever. Available with rose trim only. Specify per L283-056 for Torx screws. (Previously XL11-868).</p>	21	71	L283-062

+ Not sold separately as a part.

FUNCTIONS ANSI/BHMA A156.13, 1994, Series 1000, Grade 1		Trim Assembly Page Number	Lock Assembly Page Number	Lock Case Page Number
Keyed Locks SCHLAGE ANSI LV9444 	Privacy with Deadbolt and Coin Turn with Vandlgard® Latchbolt is retracted by knob/lever from either side. Deadbolt is thrown or retracted by inside thumbturn or outside coin turn. Throwing deadbolt locks outside knob/lever. Rotating inside knob/lever simultaneously retracts deadbolt and latchbolt and unlocks outside knob/lever. Rotating outside coin turn retracts deadbolt and unlocks outside knob/lever. Available with rose trim only. Vandlgard function allows exterior lever to rotate freely down while remaining securely locked. Specify per L283-056 for Torx screws.	21	72	L283-181+
L9050 F04 	Office and Inner Entry Lock ☼ Latchbolt is retracted by knob/lever from either side unless outside is made inoperative by key outside or inside thumbturn. When outside is locked, latchbolt is retracted by key outside or by knob/lever inside. Outside knob/lever remains locked until thumbturn is returned to vertical position or unlocked by key. Auxiliary latch deadlocks latchbolt when door is closed. Inside knob/lever is always free for immediate exit.	22	52	L283-133
LV9050 	Office and Inner Entry Lock with Vandlgard® ☼ Latchbolt is retracted by knob/lever from either side unless outside is made inoperative by key outside or inside thumbturn. When outside is locked, latchbolt is retracted by key outside or by knob/lever inside. Outside knob/lever remains locked until thumbturn is returned to vertical position or unlocked by key. Auxiliary latch deadlocks latchbolt when door is closed. Inside knob/lever is always free for immediate exit. Vandlgard function allows exterior lever to rotate freely down while remaining securely locked.	22	53	L283-170+
L9056 	L9050 with Automatic Unlocking ☼ Latchbolt is retracted by knob/lever from either side unless outside is made inoperative by key outside or inside thumbturn. Outside knob/lever is unlocked by key outside or thumbturn. Rotating inside knob/lever simultaneously retracts latchbolt and unlocks outside knob/lever. Auxiliary latch deadlocks latchbolt when door is closed. Inside knob/lever is always free for immediate exit. (Previously XL11-776).	22	54	L283-126
LV9056 	LV9050 with Automatic Unlocking with Vandlgard® ☼ Latchbolt is retracted by knob/lever from either side unless outside is made inoperative by key outside or inside thumbturn. Outside knob/lever is unlocked by key outside or thumbturn. Rotating inside knob/lever simultaneously retracts latchbolt and unlocks outside knob/lever. Auxiliary latch deadlocks latchbolt when door is closed. Inside knob/lever is always free for immediate exit. Vandlgard function allows exterior lever to rotate freely down while remaining securely locked.	22	55	L283-180+
L9060 F09 	Apartment Entrance Lock ☼ Latchbolt is retracted by knob/lever from either side unless outside is locked by key from inside. When locked, latchbolt is retracted by key outside or knob/lever inside. Auxiliary latch deadlocks when door is closed. Inside knob/lever is always free for immediate exit.	23	52	L283-133

+ Not sold separately as a part.








☼ Available with Request to Exit feature.

FUNCTIONS ANSI/BHMA A156.13, 1994, Series 1000, Grade 1		Trim Assembly Page Number	Lock Assembly Page Number	Lock Case Page Number	
Keyed Locks					
SCHLAGE ANSI					
LV9060		Apartment Entrance Lock with Vandlgard® ⌘	23	53	L283-170+
		Latchbolt is retracted by knob/lever from either side unless outside is locked by key from inside. When locked, latchbolt is retracted by key outside or knob/lever inside. Auxiliary latch deadlocks when door is closed. Inside knob/lever is always free for immediate exit. Vandlgard function allows exterior lever to rotate freely down while remaining securely locked.			
L9070	F05 	Classroom Lock ⌘	24	52	L283-133
		Latchbolt is retracted by knob/lever from either side unless outside is locked by key. Outside is unlocked by key. Inside knob/lever is always free for immediate exit. Auxiliary latch deadlocks latchbolt when door is closed.			
LV9070		Classroom Lock with Vandlgard® ⌘	24	53	L283-170+
		Latchbolt is retracted by knob/lever from either side unless outside is locked by key. Outside is unlocked by key. Inside knob/lever is always free for immediate exit. Auxiliary latch deadlocks latchbolt when door is closed. Vandlgard function allows exterior lever to rotate freely down while remaining securely locked.			
L9071		Classroom Security Lock ⌘	23	52	L283-133
		Latchbolt is retracted by knob/lever from either side unless locked by key from either side. When locked, latchbolt is retracted by key outside or knob/lever inside. Inside knob/lever is always free for immediate exit. Auxiliary latch deadlocks latchbolt when door is closed.			
LV9071		Classroom Security Lock with Vandlgard® ⌘	23	53	L283-170+
		Latchbolt is retracted by knob/lever from either side unless locked by key from either side. When locked, latchbolt is retracted by key outside or knob/lever inside. Inside knob/lever is always free for immediate exit. Auxiliary latch deadlocks latchbolt when door is closed. Vandlgard function allows exterior lever to rotate freely down while remaining securely locked.			
L9076	F06 	Classroom Holdback Lock* ⌘	24	56	L283-039
		Latchbolt is retracted by knob/lever from either side unless locked by key outside. When locked, latchbolt is retracted by key outside or knob/lever inside. Inside knob/lever is always free for immediate exit. Auxiliary latch deadlocks latchbolt when door is closed. Turn/depress inside knob/lever and turn key 360° for holdback feature.			
LV9076		Classroom Holdback Lock* with Vandlgard® ⌘	24	57	L283-172+
		Latchbolt is retracted by knob/lever from either side unless locked by key outside. When locked, latchbolt is retracted by key outside or knob/lever inside. Inside lever is always free for immediate exit. Auxiliary latch deadlocks latchbolt when door is closed. Turn/depress inside knob/lever and turn key 360° for holdback feature. Vandlgard function allows exterior lever to rotate freely down while remaining securely locked.			

* Locks with holdback feature are not UL listed. Installation should be in accordance with existing codes only.


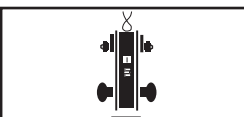

+ Not sold separately as a part.

⌘ Available with Request to Exit feature.

FUNCTIONS ANSI/BHMA A156.13, 1994, Series 1000, Grade 1		Trim Assembly Page Number	Lock Assembly Page Number	Lock Case Page Number	
Keyed Locks					
SCHLAGE ANSI					
L9077		Classroom Security Holdback Lock* ⌘ Latchbolt is retracted by knob/lever from either side unless locked by key from either side. When locked, latchbolt is retracted by key outside or knob/lever inside. Auxiliary latch deadlocks latchbolt when door is closed. Turn/depress inside knob/lever and turn key 360° for holdback feature.	23	56	L283-039
LV9077		Classroom Security Holdback Lock* with Vandgard® ⌘ Latchbolt is retracted by knob/lever from either side unless locked by key from either side. When locked, latchbolt is retracted by key outside or knob/lever inside. Auxiliary latch deadlocks latchbolt when door is closed. Turn/depress inside knob/lever and turn key 360° for holdback feature. Vandgard function allows exterior lever to rotate freely down while remaining securely locked.	23	57	L283-172+
L9080		Storeroom Lock ⌘ Latchbolt is retracted by key outside or by knob/lever inside. Outside knob/lever is always inoperative. Auxiliary latch deadlocks latchbolt when door is closed. Inside knob/lever is always free for immediate exit.	24	58	L283-134
LV9080		Storeroom Lock with Vandgard® ⌘ Latchbolt is retracted by key outside or by knob/lever inside. Outside knob/lever is always inoperative. Auxiliary latch deadlocks latchbolt when door is closed. Inside knob/lever is always free for immediate exit. Vandgard function allows exterior lever to rotate freely down while remaining securely locked.	24	59	L283-173+
L9080EL		Electrically Locked (Fail Safe) ⌘ Outside knob/lever is continuously locked. Latchbolt is retracted by key outside or by knob/lever inside. Switch or power failure allows outside knob/lever to retract latchbolt. Auxiliary latch deadlocks latchbolt when door is closed. Inside knob/lever is always free for immediate exit.	24	60	L283-142
LV9080EL		Electrically Locked (Fail Safe) with Vandgard® ⌘ Outside knob/lever is continuously locked. Latchbolt is retracted by key outside or by knob/lever inside. Switch or power failure allows outside knob/lever to retract latchbolt. Auxiliary latch deadlocks latchbolt when door is closed. Inside knob/lever is always free for immediate exit. Vandgard function allows exterior lever to rotate freely down while remaining securely locked.	24	61	L283-174+
L9080EU		Electrically Unlocked (Fail Secure) ⌘ Outside knob/lever is continuously unlocked. Latchbolt is retracted by key outside or by knob/lever inside. Inside knob/lever is always free for immediate exit. Auxiliary latch deadlocks latchbolt when door is closed.	24	62	L283-143

+ Not sold separately as a part.








⌘ Available with Request tho Exit feature.

FUNCTIONS ANSI/BHMA A156.13, 1994, Series 1000, Grade 1		Trim Assembly Page Number	Lock Assembly Page Number	Lock Case Page Number
Keyed Locks				
SCHLAGE ANSI				
LV9080EU				
	Electrically Unlocked (Fail Secure) with Vandgard® ☹ Outside knob/lever is continuously unlocked. Latchbolt is retracted by key outside or by knob/lever inside. Inside knob/lever is always free for immediate exit. Auxiliary latch deadlocks latchbolt when door is closed. Vandgard function allows exterior lever to rotate freely down, while remaining securely locked.	24	63	L283-175+
L9080EL-RX				
	Request to Exit Electrically Locked (Fail Safe) Same as L9080EL function. In addition, a microswitch positioned inside the lock case is activated when either inside or outside knob/lever is rotated. The switch signals the use of that opening to security systems, allowing a non-disruptive means of immediate exit. Specify L283-263. (Previously XL11-807)	24	60	L283-142 per L283-263
L9080EU-RX				
	Request to Exit Electrically Unlocked (Fail Secure) Same as L9080EU function. In addition, a microswitch positioned inside the lock case is activated when either inside or outside knob/lever is rotated. The switch signals the use of that opening to security systems, allowing a non-disruptive means of immediate exit. Specify L283-263. (Previously XL11-807).	24	62	L283-143 per L283-263
L9082				
	Institution Lock* Latchbolt is retracted by key on either side. Knob/lever on both sides is always inoperative. Auxiliary latch deadlocks latchbolt when door is closed.	23	64	L283-146
LV9082				
	Institution Lock* with Vandgard® Latchbolt is retracted by key on either side. Inside and outside knob/lever are always inoperative. Auxiliary latch deadlocks latchbolt when door is closed. Vandgard function allows exterior lever to rotate freely down while remaining securely locked.	23	65	L283-182+
L9082EL				
	Electrically Locked (Fail Safe) Both Sides ☹ Outside and inside knob/lever are continuously locked. Latchbolt is retracted by key on either side. Switch or power failure allows inside and outside knob/lever to retract latchbolt. Auxiliary latch deadlocks latchbolt when door is closed. (Previously XL11-452).	25	66	L283-085
L9082EU				
	Electrically Unlocked (Fail Secure) Both Sides* ☹ Outside and inside knob/lever are continuously unlocked. Latchbolt is retracted by key on either side. Switch or power failure prevents retraction of latchbolt by inside and outside knob/lever. (Previously XL11-452).	25	67	L283-086
L9453 F20				
	Entrance Lock ☹ Latchbolt is retracted by knob/lever from either side unless outside is locked by 20° rotation of thumbturn. Deadbolt is thrown or retracted by 90° rotation of thumbturn. When locked, key outside or knob/lever inside retracts deadbolt and latchbolt simultaneously. Outside knob/lever remains locked until thumbturn is returned to vertical position. Throwing deadbolt automatically locks outside knob/lever. Auxiliary latch deadlocks latchbolt when door is closed. Inside knob/lever is always free for immediate exit.	22	73	L283-137

*Caution: Double cylinder locks on residences—or on any door in any structure which are used for egress—are a life safety hazard in times of emergency, and their use is not recommended. Installation should be in accordance with existing codes only.









+ Not sold separately as a part.

☹ Available with Request to Exit feature.

FUNCTIONS ANSI/BHMA A156.13, 1994, Series 1000, Grade 1		Trim Assembly Page Number	Lock Assembly Page Number	Lock Case Page Number	
Keyed Locks					
SCHLAGE	ANSI				
LV9453		Entrance Lock with Vandlgard® ⌘ Latchbolt is retracted by knob/lever from either side unless outside is locked by key outside or 20° rotation of thumbturn. Deadbolt is thrown or retracted by 90° rotation of thumbturn. When locked, key outside or knob/lever inside retracts deadbolt and latchbolt simultaneously. Outside knob/lever remains locked until thumbturn is returned to vertical position. Throwing deadbolt automatically locks outside knob/lever. Auxiliary latch deadlocks latchbolt when door is closed. Vandlgard function allows exterior lever to rotate freely down while remaining securely locked.	22	74	L283-176+
L9456	F13 	Corridor Lock ⌘ Latchbolt is retracted by knob/lever from either side. Deadbolt is operated by key outside or inside thumbturn. Throwing deadbolt locks outside knob/lever. Turning inside knob/lever simultaneously retracts deadbolt and latchbolt and unlocks outside knob/lever. Inside knob/lever is always free for immediate exit.	22	75	L283-138
LV9456		Corridor Lock with Vandlgard® ⌘ Latchbolt is retracted by knob/lever from either side. Deadbolt is operated by key outside or inside thumbturn. Throwing deadbolt locks outside knob/lever. Turning inside knob/lever simultaneously retracts deadbolt and latchbolt and unlocks outside knob/lever. Inside knob/lever is always free for immediate exit. Vandlgard function allows exterior lever to rotate freely down while remaining securely locked.	22	76	L283-177+
L9457		Classroom Security Lock ⌘ Latchbolt is retracted by knob/lever from either side. Deadbolt is operated by key from either side. Throwing deadbolt locks outside knob/lever. Turning inside knob/lever simultaneously retracts deadbolt and latchbolt and unlocks outside knob/lever. Inside knob/lever is always free for immediate exit.	23	75	L283-138
LV9457		Classroom Security Lock with Vandlgard® ⌘ Latchbolt is retracted by knob/lever from either side. Deadbolt is operated by key from either side. Throwing deadbolt locks outside knob/lever. Turning inside knob/lever simultaneously retracts deadbolt and latchbolt and unlocks outside knob/lever. Inside knob/lever is always free for immediate exit. Vandlgard function allows exterior lever to rotate freely down while remaining securely locked.	23	76	L283-177+
L9460 x XL11-635		L9460 with Fixed Dummy Trim Knob/lever is always fixed on both sides. Deadbolt is operated by key outside or thumbturn inside. Specify per XL11-635.	30	78	XL11-635+
L9460 x XL11-886		Deadbolt with Retraction by Inside Knob/Lever Deadbolt is operated by key outside or thumbturn inside. Rotating inside knob/lever retracts deadbolt. Outside knob/lever is always fixed. Specify per XL11-886.	31	79	—







+ Not sold separately as a part.

⌘ Available with Request to Exit feature.

<p style="text-align: center;">FUNCTIONS ANSI/BHMA A156.13, 1994, Series 1000, Grade 1</p>	<p style="text-align: center;">Trim Assembly Page Number</p>	<p style="text-align: center;">Lock Assembly Page Number</p>	<p style="text-align: center;">Lock Case Page Number</p>
<p>Keyed Locks SCHLAGE ANSI L9462 x XL11-886</p>			
 <p>Double Cylinder Deadbolt with Retraction by Inside Knob/Lever Deadbolt is operated by key on either side. Rotating inside knob/lever retracts deadbolt. Outside knob/lever is always fixed. Specify per XL11-886.</p>	23	79	–
<p>L9464 x XL11-886</p>  <p>Single Cylinder Deadbolt with Retraction by Inside Knob/Lever Deadbolt is operated by key outside. Rotating inside knob/lever retracts deadbolt. Outside knob/lever is always fixed. Specify per XL11-886.</p>	24	79	–
<p>L9465</p>  <p>Closet/Storage Room Lock Latchbolt is operated by knob/lever from either side. Deadbolt is operated by key outside.</p>	24	80	L283-140
<p>L9466</p>  <p>Storage Room/Utility Room Lock* Latchbolt is operated by knob/lever from either side. Deadbolt is operated by key from either side.</p>	23	80	L283-140
<p>L9473</p>  <p>Dormitory/Bedroom Lock Latchbolt is operated by knob/lever from either side. Deadbolt is operated by key outside or thumbturn inside.</p>	22	80	L283-140
<p>L9480</p>  <p>Storage Room Lock with Deadbolt Latchbolt is operated by key outside or by knob/lever inside. Outside knob/lever is always fixed. Deadbolt is operated by key outside or thumbturn inside. Turning inside knob/lever simultaneously retracts both deadbolt and latchbolt. Auxiliary latch deadlocks latchbolt when door is closed. Inside knob/lever is always free for immediate exit. (Previously XL11-591).</p>	31	81	L283-141
<p>LV9480</p>  <p>Storage Room Lock with Deadbolt with Vandgard® Latchbolt is operated by key outside or by knob/lever inside. Outside knob/lever is always inoperative. Deadbolt is operated by key outside or thumbturn inside. Turning inside knob/lever simultaneously retracts both deadbolt and latchbolt. Auxiliary latch deadlocks latchbolt when door is closed. Inside knob/lever is always free for immediate exit. Vandgard function allows exterior lever to rotate freely down while remaining securely locked. (Previously XL11-591).</p>	31	82	L283-178+
<p>L9482 x XL11-543</p>  <p>Institution Lock with Deadbolt* Latchbolt is operated by key from either side. Knob/lever on both sides is always fixed. Deadbolt is operated by key on either side. Auxiliary latch deadlocks latchbolt when door is closed. Specify per XL11-543.</p>	32	83	–





*Caution: Double cylinder locks on residences—or on any door in any structure which are used for egress—are a life safety hazard in times of emergency, and their use is not recommended. Installation should be in accordance with existing codes only.

+ Not sold separately as a part.


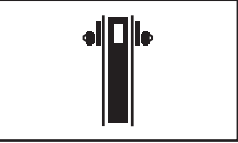


<p style="text-align: center;">FUNCTIONS ANSI/BHMA A156.13, 1994, Series 1000, Grade 1</p>	<p style="text-align: center;">Trim Assembly Page Number</p>	<p style="text-align: center;">Lock Assembly Page Number</p>	<p style="text-align: center;">Lock Case Page Number</p>
<p>Keyed Locks SCHLAGE ANSI LV9482 x XL11-543</p>  <p>Institution Lock with Deadbolt* with Vandlgard® Latchbolt is operated by key from either side. Inside and outside knob/lever are always inoperative. Deadbolt is thrown or retracted by key on either side. Auxiliary latch deadlocks latchbolt when door is closed. Vandlgard function allows exterior lever to rotate freely down while remaining securely locked. Specify per XL11-543.</p>	32	84	—
<p>L9485</p>  <p>Hotel or Restroom Lock Latchbolt is operated by key outside or by knob/lever inside. Outside knob/lever is always fixed. Deadbolt is thrown or retracted by inside thumbturn. When deadbolt is thrown all keys become inoperative except emergency keys. Turning inside knob/lever simultaneously retracts both deadbolt and latchbolt. Auxiliary latch deadlocks latchbolt when door is closed.</p>	31	81	L283-141
<p>LV9485</p>  <p>Hotel or Restroom Lock with Vandlgard® Latchbolt is retracted by key outside or by knob/lever inside. Outside knob/lever is always inoperative. Deadbolt is thrown or retracted by inside thumbturn. When deadbolt is thrown, all keys become inoperative except emergency or display keys. Turning inside knob/lever simultaneously retracts both deadbolt and latchbolt. Auxiliary latch deadlocks latchbolt when door is closed. Vandlgard function allows exterior lever to rotate freely down while remaining securely locked.</p>	31	82	L283-178+
<p>L9485 x XL11-557</p>  <p>Prison Lock Latchbolt is operated by key outside or by knob inside. Outside knob is always free spinning. Inside knob is fixed when deadbolt is thrown. Deadbolt is thrown or retracted by guard's key. Prisoner's key retracts latchbolt. Furnished with tamper-resistant Torx screws. Specify per XL11-557.</p>	33	85	—
<p>L9486 F15</p>  <p>Hotel Lock with "Do Not Disturb" Indicator Latchbolt is operated by key outside or by knob/lever inside. Outside knob/lever is always fixed. Deadbolt is thrown or retracted by inside thumbturn. When deadbolt is thrown, "DO NOT DISTURB" plate is displayed. Deadbolt thrown by inside thumbturn shuts out all keys except emergency keys. Inside knob/lever simultaneously retracts both deadbolt and latchbolt. Auxiliary latch deadlocks latchbolt when door is closed.</p>	34	81	L283-141
<p>LV9486</p>  <p>Hotel Lock with "Do Not Disturb" Indicator with Vandlgard® Latchbolt is operated by key outside or by knob/lever inside. Outside knob/lever is always inoperative. Deadbolt is thrown or retracted by inside thumbturn. When deadbolt is thrown, "DO NOT DISTURB" plate is displayed. Deadbolt thrown by inside thumbturn shuts out all keys except emergency keys. Inside knob/lever simultaneously retracts both deadbolt and latchbolt. Vandlgard function allows exterior lever to rotate freely down while remaining securely locked.</p>	34	82	L283-178+

*Caution: Double cylinder locks on residences—or on any door in any structure which are used for egress—are a life safety hazard in times of emergency, and their use is not recommended. Installation should be in accordance with existing codes only.







+ Not sold separately as a part.

<p style="text-align: center;">FUNCTIONS ANSI/BHMA A156.13, 1994, Series 1000, Grade 1</p>	<p style="text-align: center;">Trim Assembly Page Number</p>	<p style="text-align: center;">Lock Assembly Page Number</p>	<p style="text-align: center;">Lock Case Page Number</p>
<p>Keyed Locks SCHLAGE ANSI L9486 x L583-375</p>  <p>Hotel Lock with “Occupied” Indicator Latchbolt is operated by key outside or by knob/lever inside. Outside knob/lever is always inoperative. Deadbolt is thrown or retracted by inside thumbturn. When deadbolt is thrown, “OCCUPIED” plate is displayed. Deadbolt thrown by inside thumbturn shuts out all keys except emergency keys. Inside knob/lever simultaneously retracts both deadbolt and latchbolt. Auxiliary latch deadlocks latchbolt when door is closed. Specify per L583-375. (Previously XL11-580).</p>	34	81	L283-141
<p>LV9486 x L583-375</p>  <p>Hotel Lock with “Occupied” Indicator with Vandlgard® Latchbolt is operated by key outside or by knob/lever inside. Outside knob/lever is always inoperative. Deadbolt is thrown or retracted by inside thumbturn. When deadbolt is thrown, “OCCUPIED” plate is displayed. Deadbolt thrown by inside thumbturn shuts out all keys except emergency keys. Inside knob/lever simultaneously retracts both deadbolt and latchbolt. Auxiliary latch deadlocks latchbolt when door is closed. Vandlgard function allows exterior lever to rotate freely down while remaining securely locked. Specify per L583-375.</p>	34	82	L283-178+
<p>L9496</p>  <p>Privacy Lock with “Occupied” Indicator ⌘ Latchbolt is operated by knob/lever on either side. Deadbolt is thrown or retracted by key outside (retraction by key required in the event of an emergency) or inside thumbturn. Throwing deadbolt locks outside knob/lever and displays “OCCUPIED” plate. Rotating inside knob/lever simultaneously retracts both deadbolt and latchbolt and unlocks outside knob/lever. (Previously XL11-885).</p>	34	75	L283-138
<p>LV9496</p>  <p>Privacy Lock with “Occupied” Indicator ⌘ Latchbolt is operated by knob/lever on either side. Deadbolt is thrown or retracted by key outside (retraction by key required in the event of an emergency) or inside thumbturn. Throwing deadbolt locks outside knob/lever and displays “OCCUPIED” plate. Rotating inside knob/lever simultaneously retracts both deadbolt and latchbolt and unlocks outside knob/lever. Vandlgard function allows exterior lever to rotate freely down while remaining securely locked.</p>	34	76	L283-177+

+ Not sold separately as a part.
⌘ Available with Request to Exit feature.

FUNCTIONS ANSI/BHMA A156.13, 1994, Series 1000, Grade 1		Trim Assembly Page Number	Lock Assembly Page Number	Lock Case Page Number
Keyed L9000-Series Deadbolts				
SCHLAGE	ANSI			
L9460	F17			
	Cylinder by Thumbturn Lock Deadbolt is operated by key outside or thumbturn inside.	29	77	L283-139
L9462	F16			
	Double Cylinder Lock* Deadbolt is operated by key on either side.	29	77	L283-139
L9463				
	Classroom Lock Deadbolt is operated by key on outside. Inside cylinder turn retracts deadbolt but cannot extend it.	29	77	L283-139
L9464	F18			
	Cylinder Lock Deadbolt is operated by key on one side. No trim on opposite side. Available with rose trim only.	29	77	L283-139

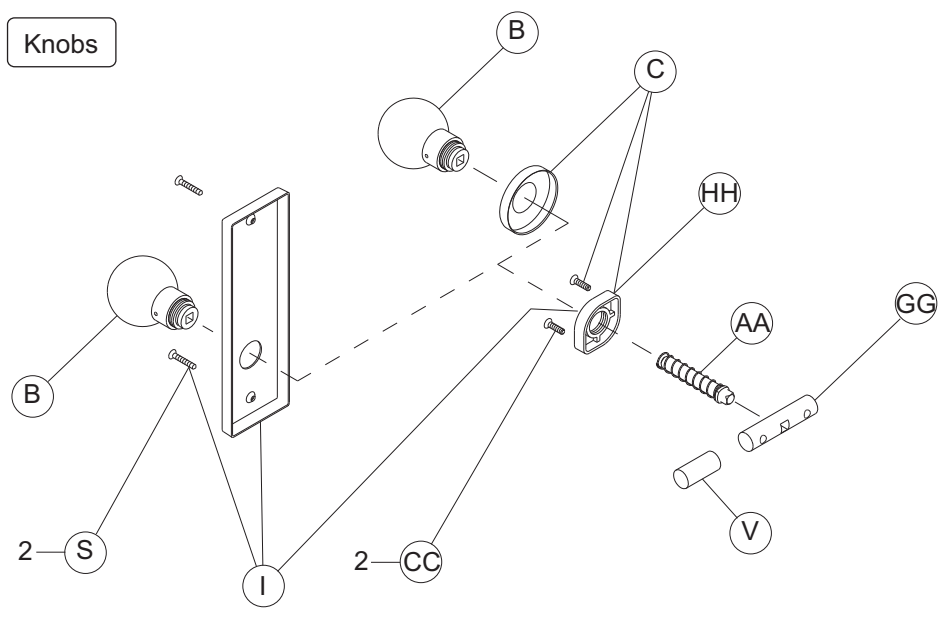
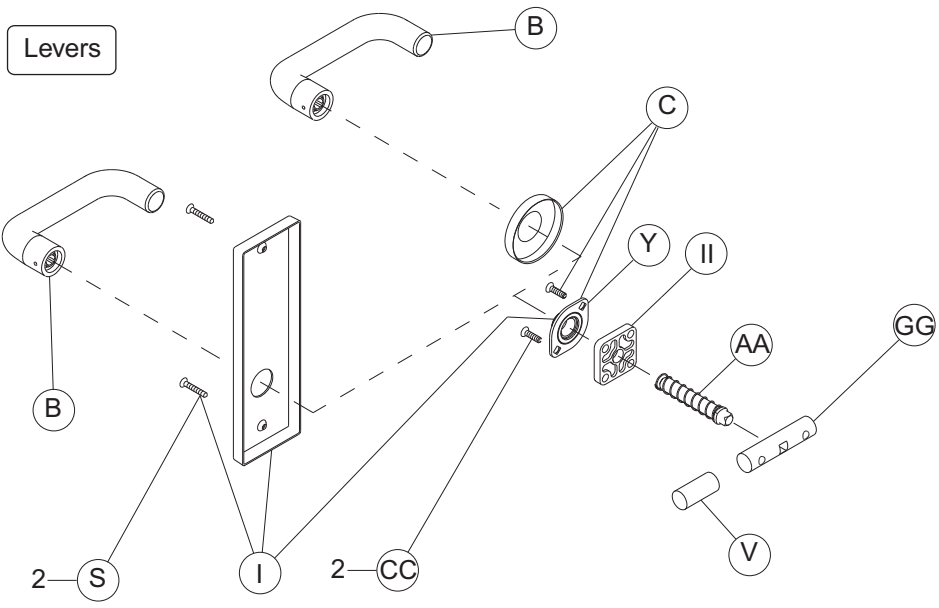
*Caution: Double cylinder locks on residences—or on any door in any structure which are used for egress—are a life safety hazard in times of emergency, and their use is not recommended. Installation should be in accordance with existing codes only.

FUNCTIONS ANSI/BHMA A156.13, 1994, Series 1000, Grade 1		Trim Assembly Page Number	Lock Assembly Page Number	Lock Case Page Number
Keyed L400-Series				
SCHLAGE	ANSI			
L460	E06071			
	Cylinder by Thumbturn Lock Deadbolt is operated by key outside or thumbturn inside.	17	48	L283-099
L462	E06061			
	Double Cylinder Lock* Deadbolt is operated by key on either side.	17	48	L283-099
L463	E06091			
	Classroom Lock Deadbolt is operated by key on outside. Inside cylinder turn retracts deadbolt but cannot extend it.	17	48	L283-099
L464	E06081			
	Cylinder Lock Deadbolt is operated by key on one side. No trim on opposite side. Available with rose trim only.	17	48	L283-099
L496				
	Deadbolt with "Occupied" Indicator Deadbolt is operated by key outside or thumbturn inside. Furnished with 09-611 per L583-375 indicator. When deadbolt is thrown "OCCUPIED" plate is displayed. Available with rose trim only. (Previously XL11-911).	17	48	L283-099
Non-Keyed L400-Series				
SCHLAGE	ANSI			
L480	F14			
	Door Bolt Deadbolt is operated by thumbturn on one side. No trim on opposite side.	17	48	L283-099

**Caution: Double cylinder locks on residences—or on any door in any structure which are used for egress—are a life safety hazard in times of emergency, and their use is not recommended. Installation should be in accordance with existing codes only.*

Trim Assemblies

Single Dummy Trim: L0170

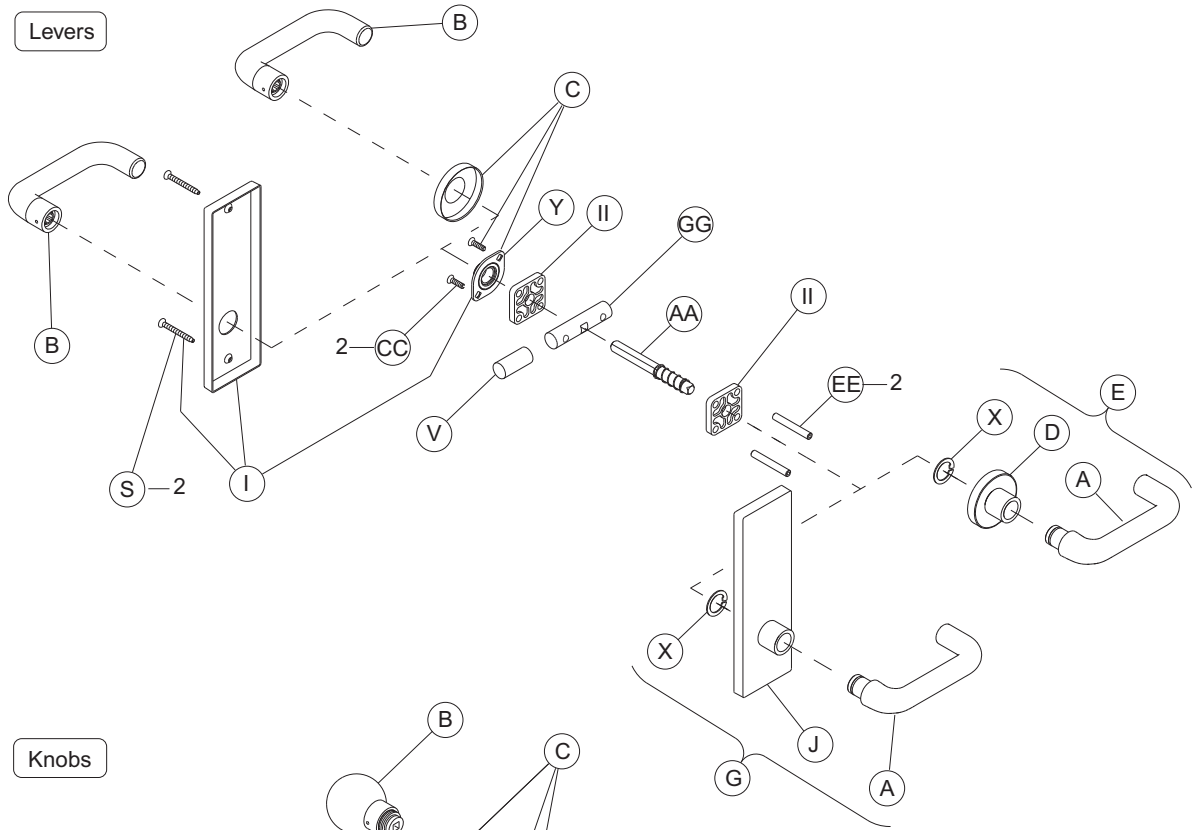


NOTE: Reinforcement required for metal door applications. See Schlage Door Preparation Manual & Template Guide.

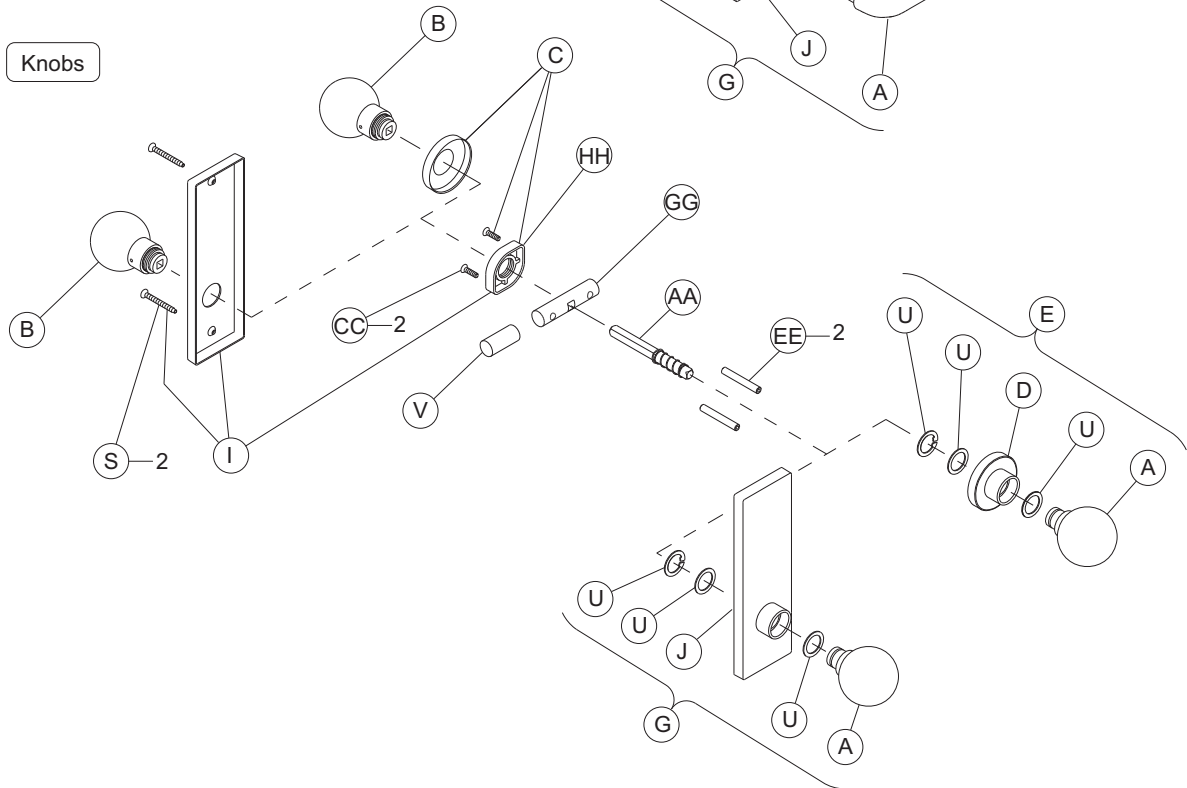
Trim Assemblies

Double Dummy Trim: L0172

Levers



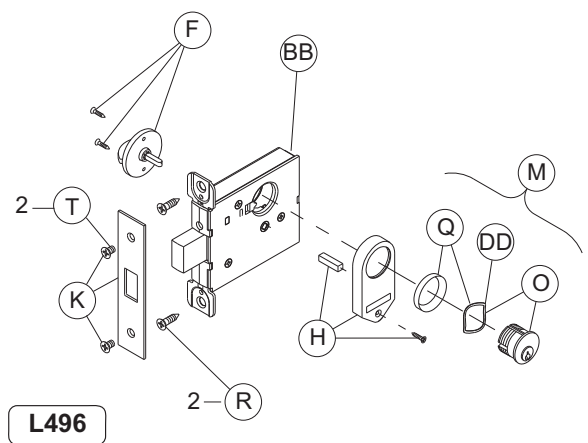
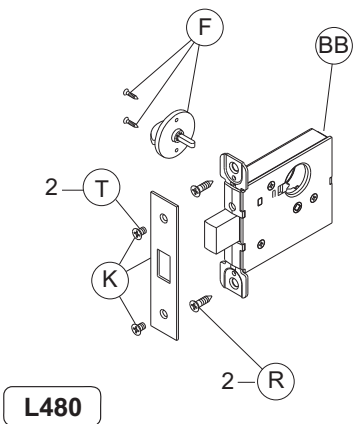
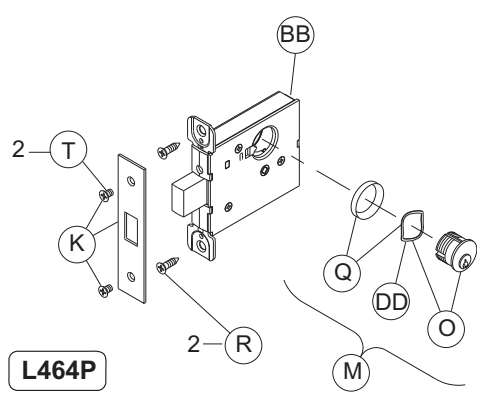
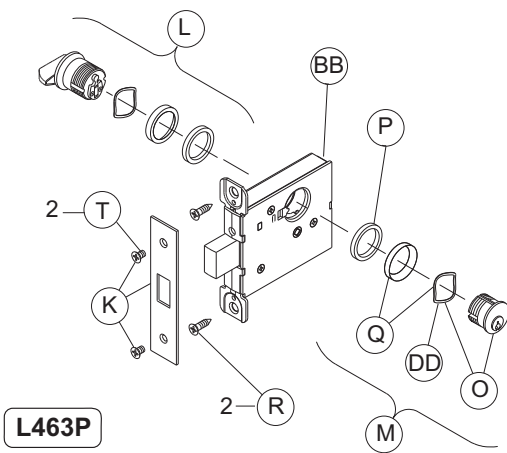
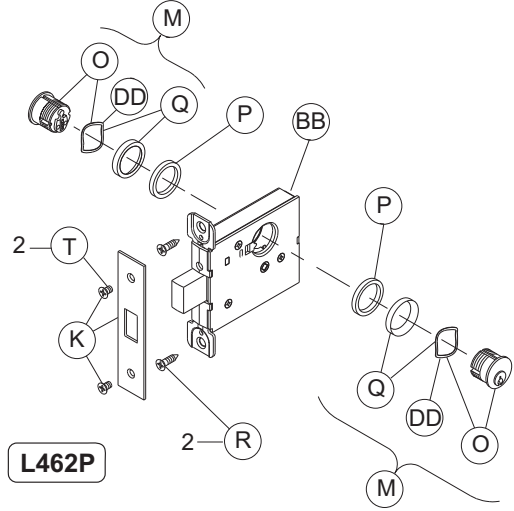
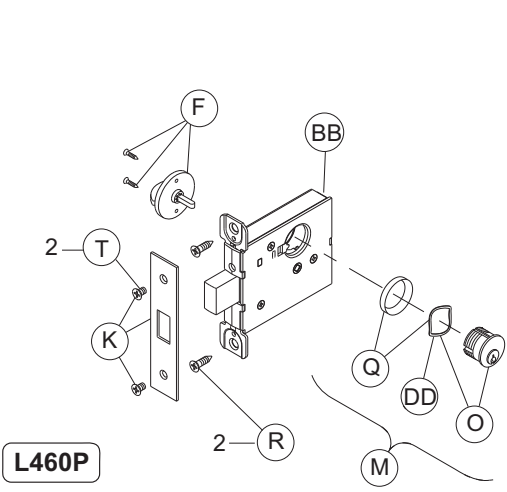
Knobs



NOTE: Reinforcement required for metal door applications. See Schlage Door Preparation Manual & Template Guide.

Trim Assemblies

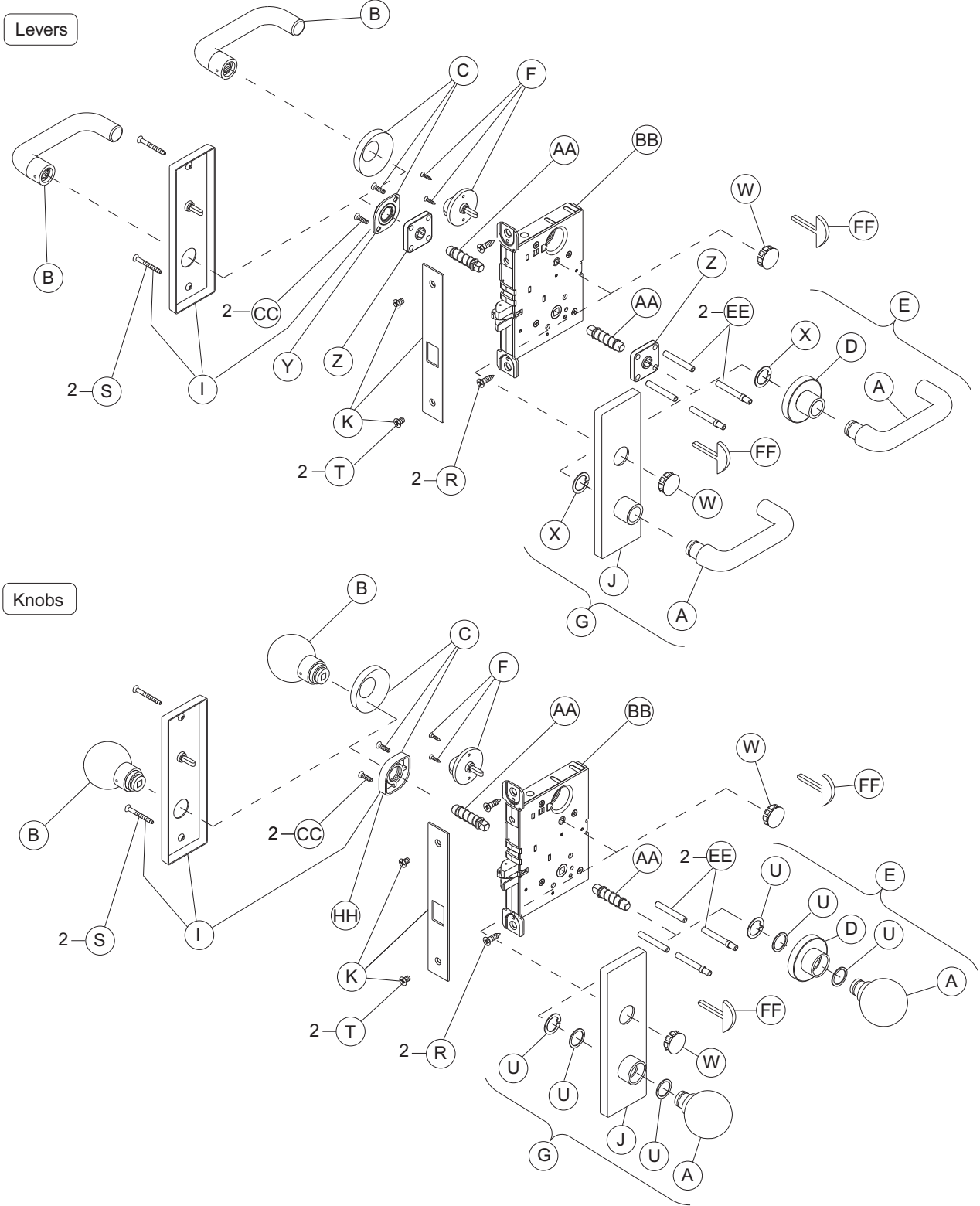
L400-Series Deadbolt Trim: L460, L462, L463, L464, L480, L496



NOTE: Standard full face mortise cylinder shown.

Trim Assemblies

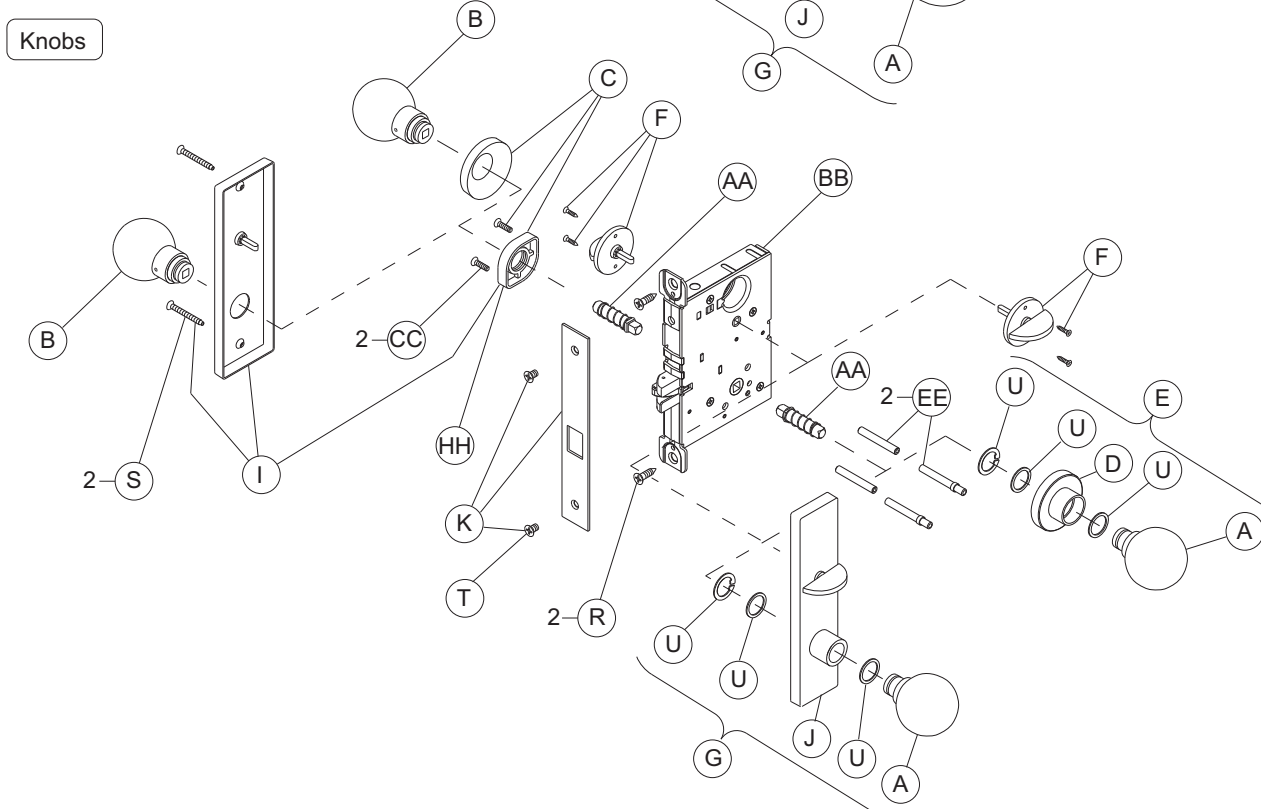
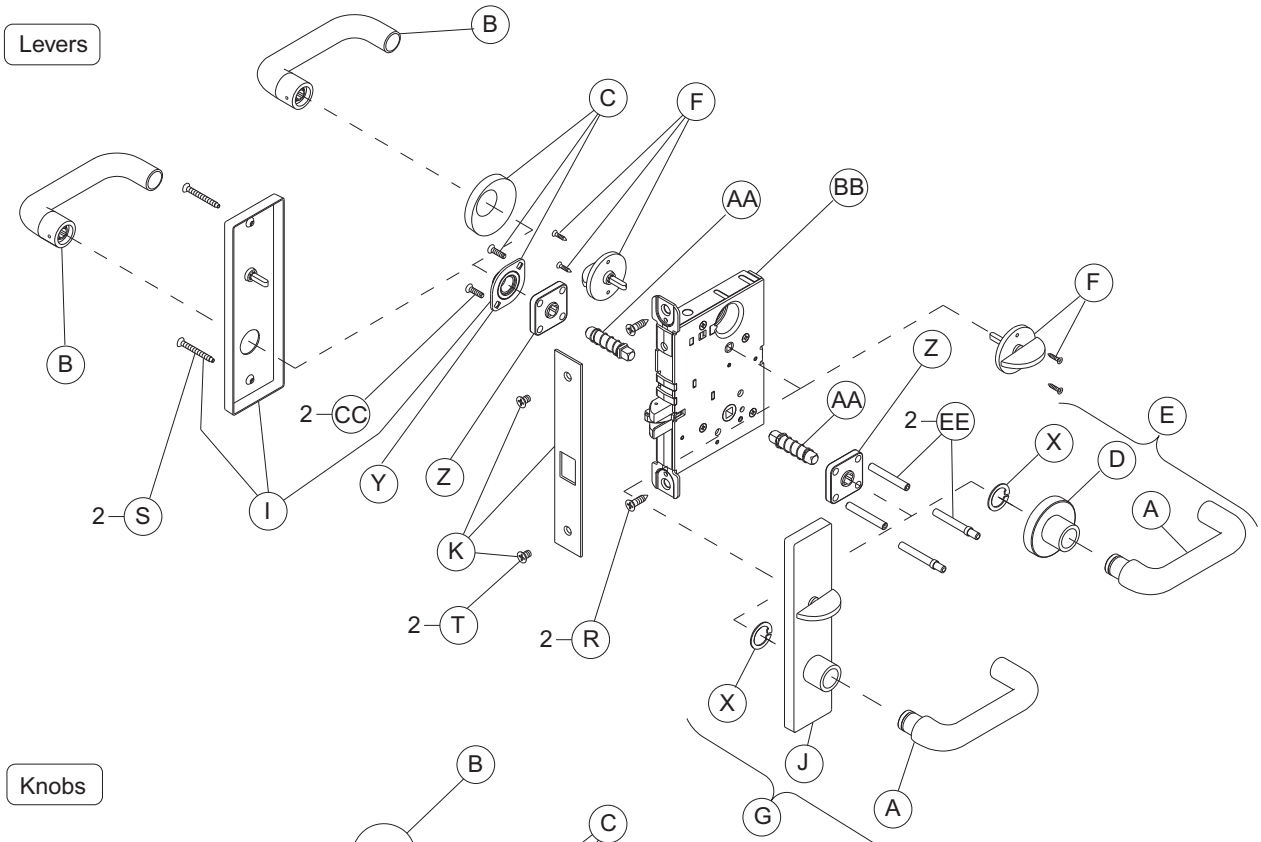
Emergency Button x Turn Trim: L9040, LV9040, L9440, LV9440



NOTE: L9440 and LV9440 lock functions have latch and deadbolt. Lock case and armor front shown with latch only.

Trim Assemblies

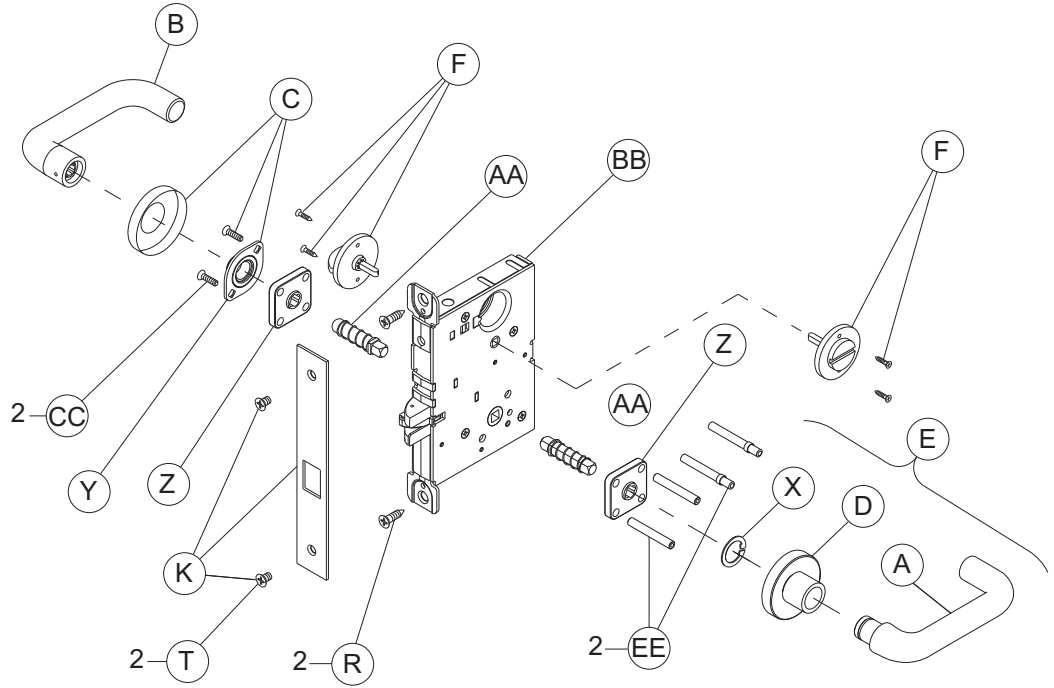
Privacy x Turns Both Sides Trim: L9040 x XL11-446, LV9040 x XL11-446



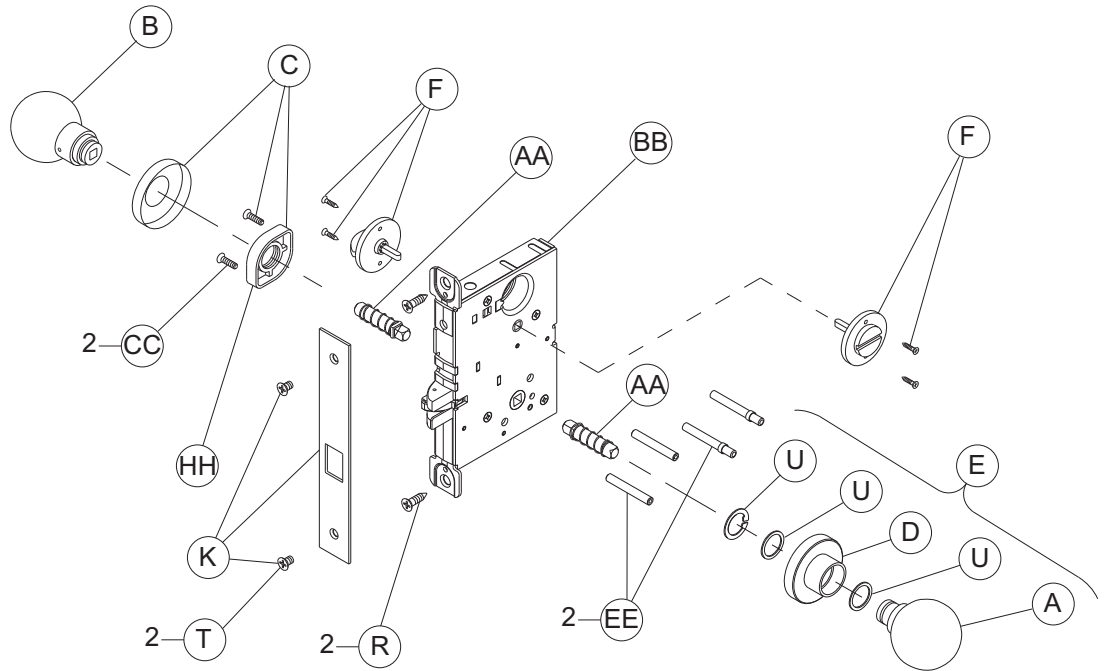
Trim Assemblies

Coin Turn Outside x Turn Trim: L9044, LV9044, L9444, LV9444

Levers



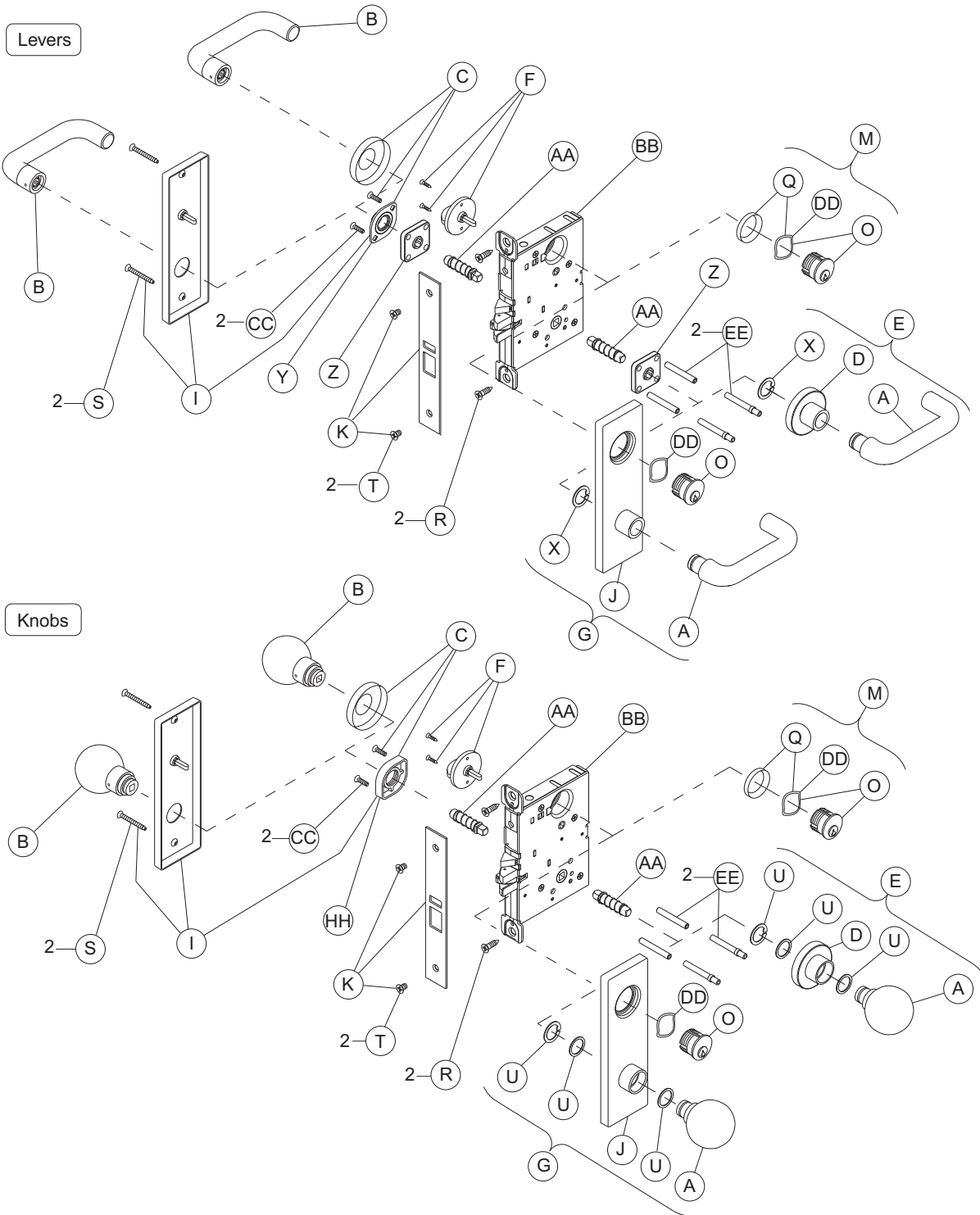
Knobs



NOTE: L9444 and LV9444 lock functions have latch and deadbolt. Lock case and armor front shown with latch only.

Trim Assemblies

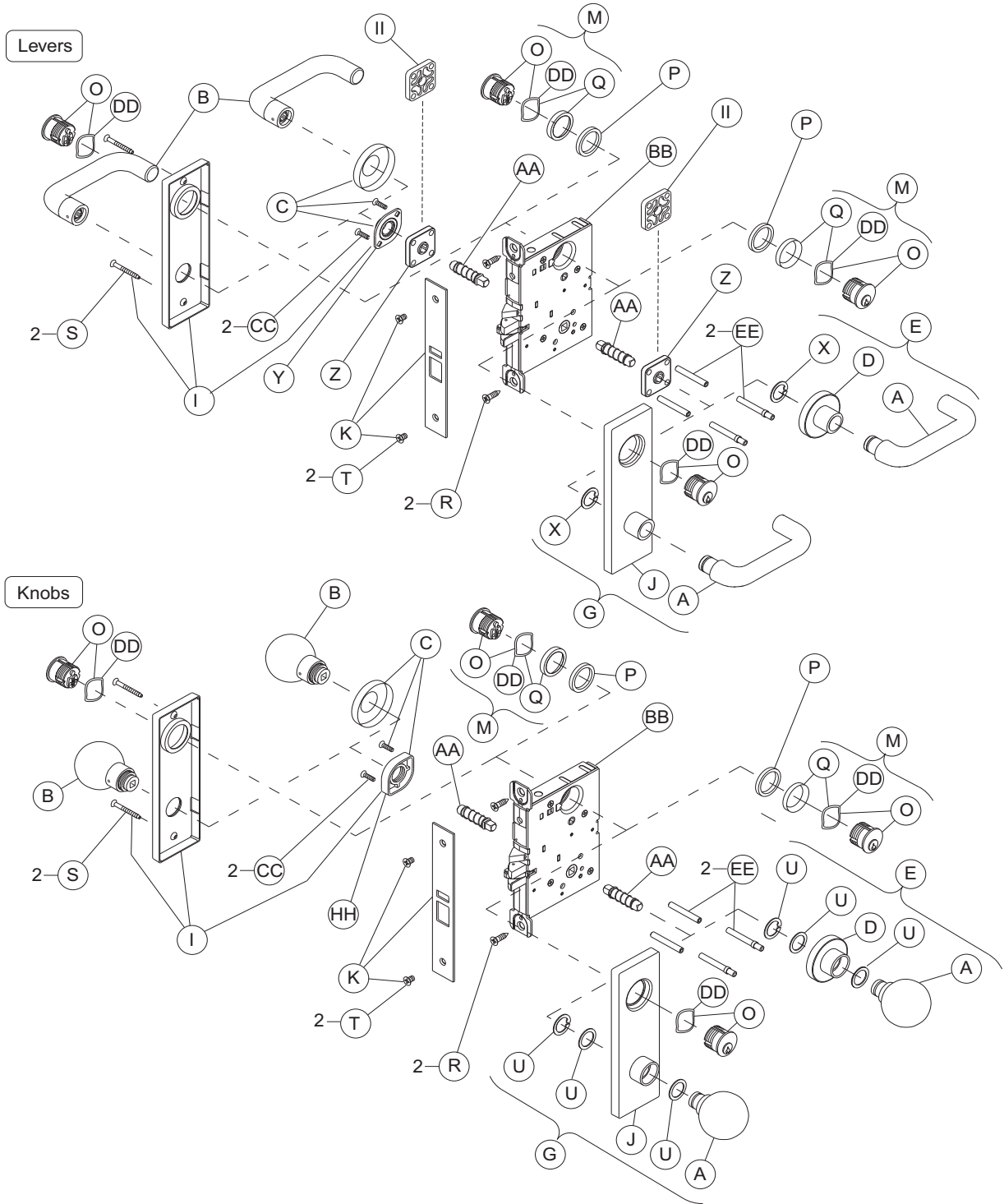
Cylinder x Turn Trim: L9050, LV9050, L9056, LV9056, L9453, LV9453, L9456, LV9456, L9473



NOTES: L9456, LV9456, and L9473 lock functions have a latch and deadbolt. Lock case and armor front shown with latch and auxiliary latch.
 L/LV9453 lock functions have a latch, auxiliary latch, and deadbolt. Lock case and armor front shown with latch and auxiliary latch only.
 Standard full face mortise cylinder shown.

Trim Assemblies

Double Cylinder Trim: L9060, LV9060, L9071, LV9071, L9077, LV9077, L9082, LV9082, L9457, LV9457, L9462 x XL11-886, L9466

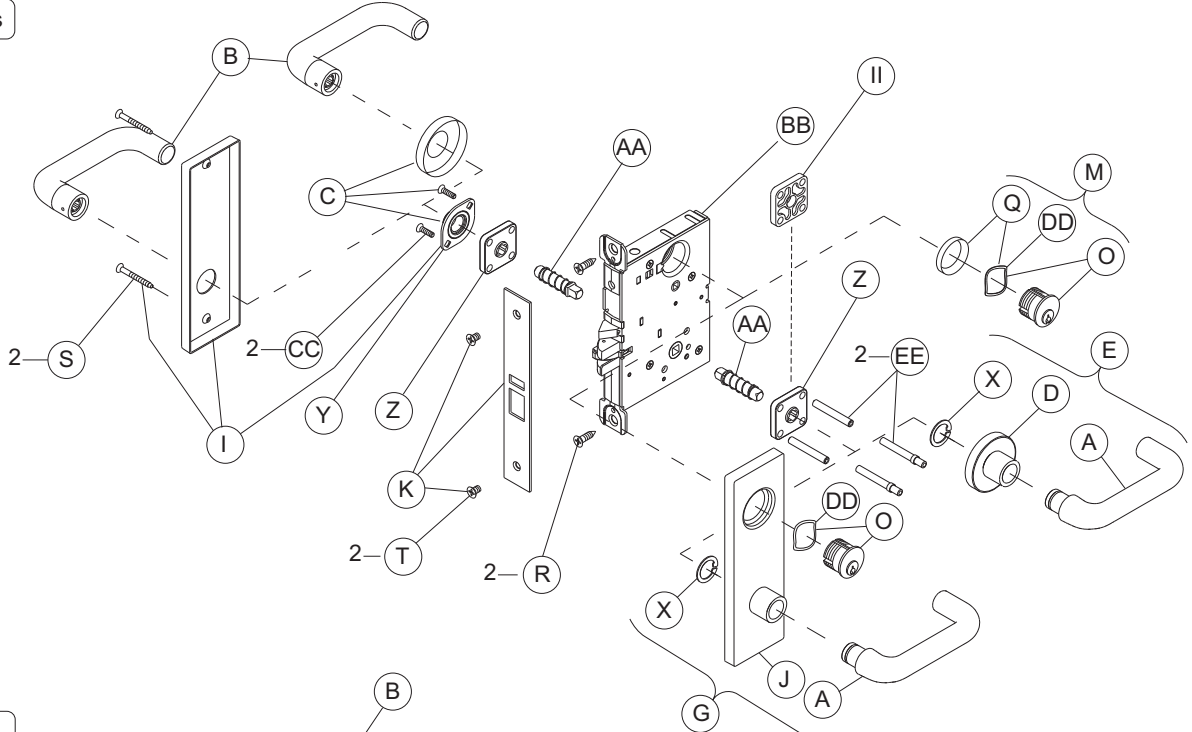


NOTES: L9457, LV9457, and L9466 lock functions have a latch and deadbolt. Lock case and armor front shown with latch and auxiliary latch.
 L9462 x XL11-886 lock function has deadbolt only. Lock case and armor front shown with latch & auxiliary latch.
 Standard full face mortise cylinder shown.

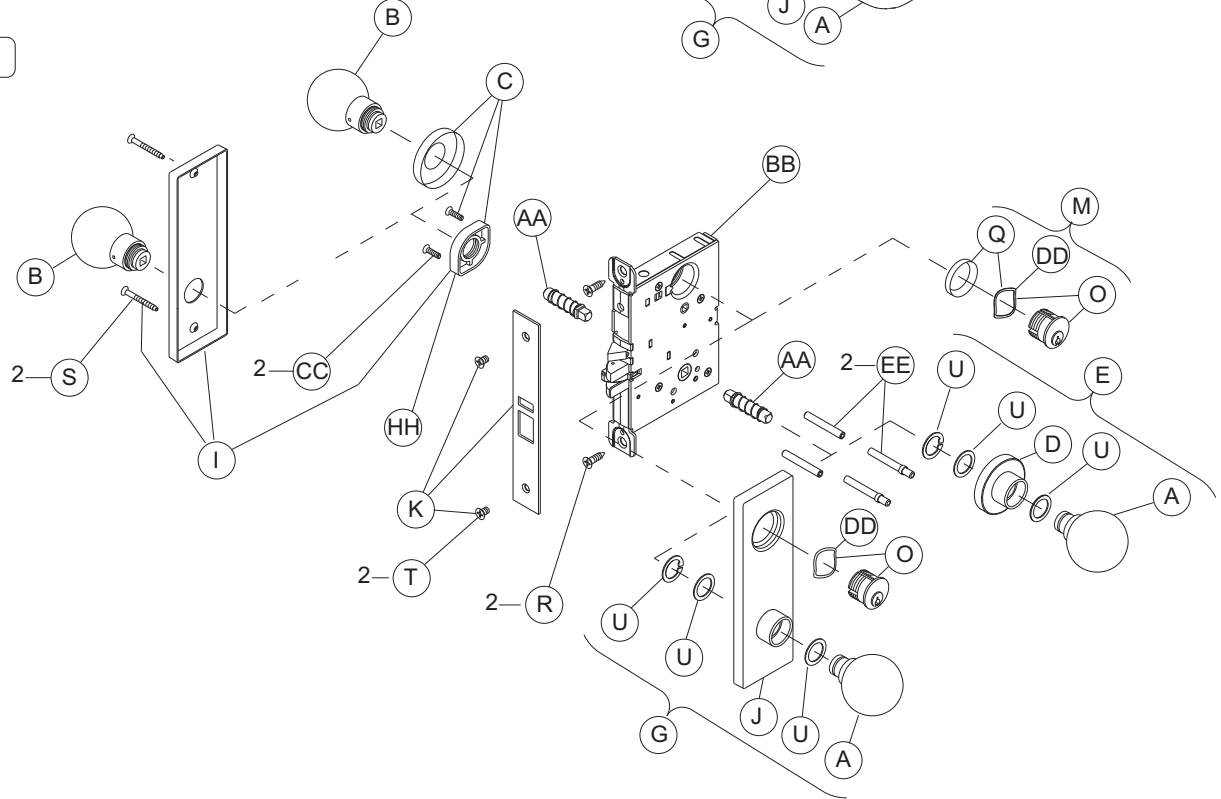
Trim Assemblies

Cylinder Outside Trim: L9070, LV9070, L9076, LV9076, L9080, LV9080, L9080EL/EU, LV9080EL/EU, L9080EL/EU-RX, L9464 x XL11-886, L9465

Levers



Knobs

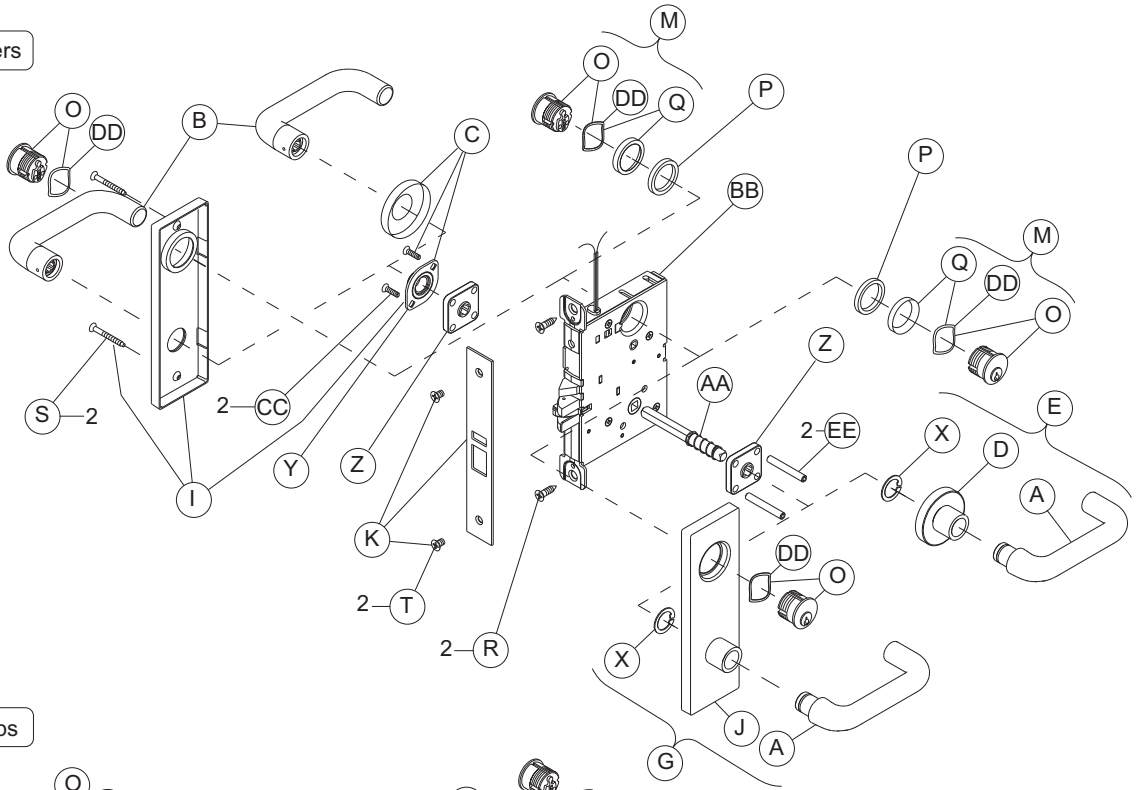


NOTES: L9465 lock function has a latch and deadbolt. Lock case and armor front shown with latch and auxiliary latch.
 L9464 x XL11-886 lock function has deadbolt only. Lock case and armor front shown with latch and auxiliary latch.
 Standard full face mortise cylinder shown.

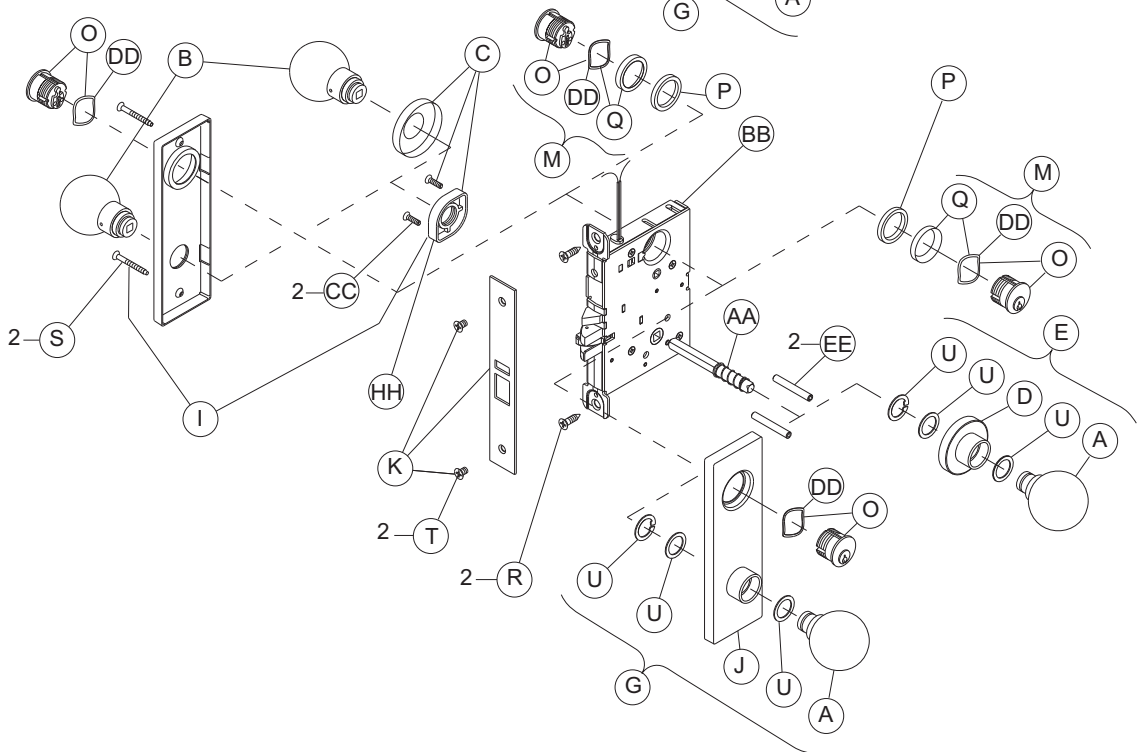
Trim Assemblies

Electrically Locked/Unlocked Both Sides Trim: L9082EL/EU

Lever



Knobs

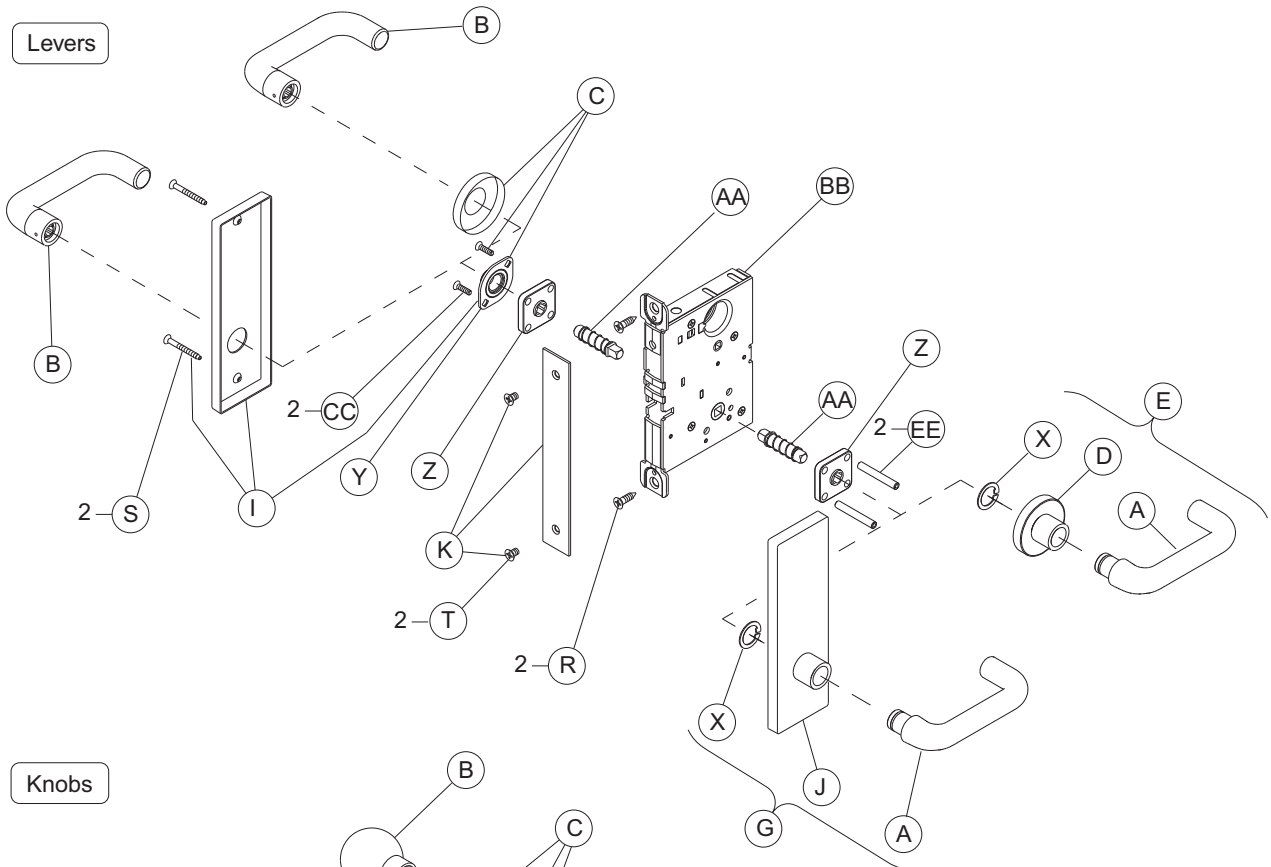


NOTE: Standard full face mortise cylinder shown.

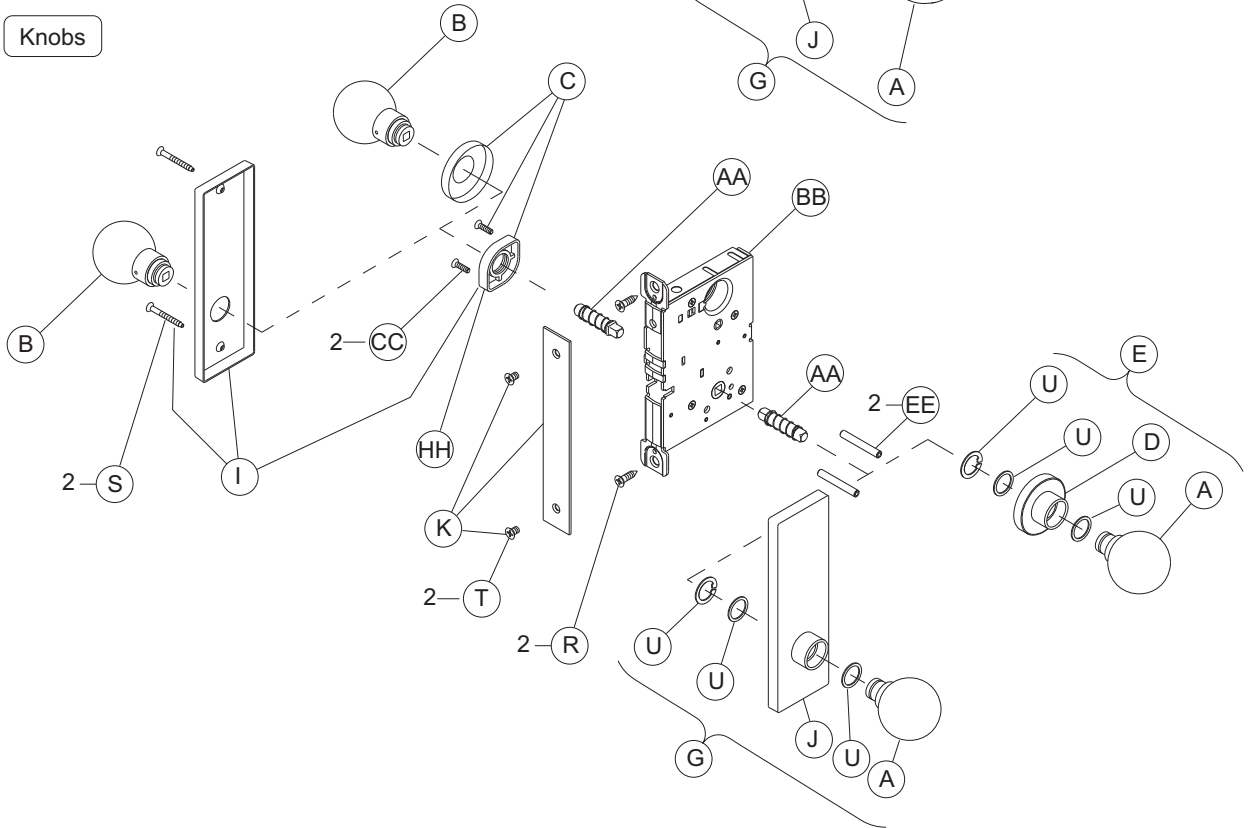
Trim Assemblies

Active Double Dummy Trim: L9110 x XL11-741

Levers



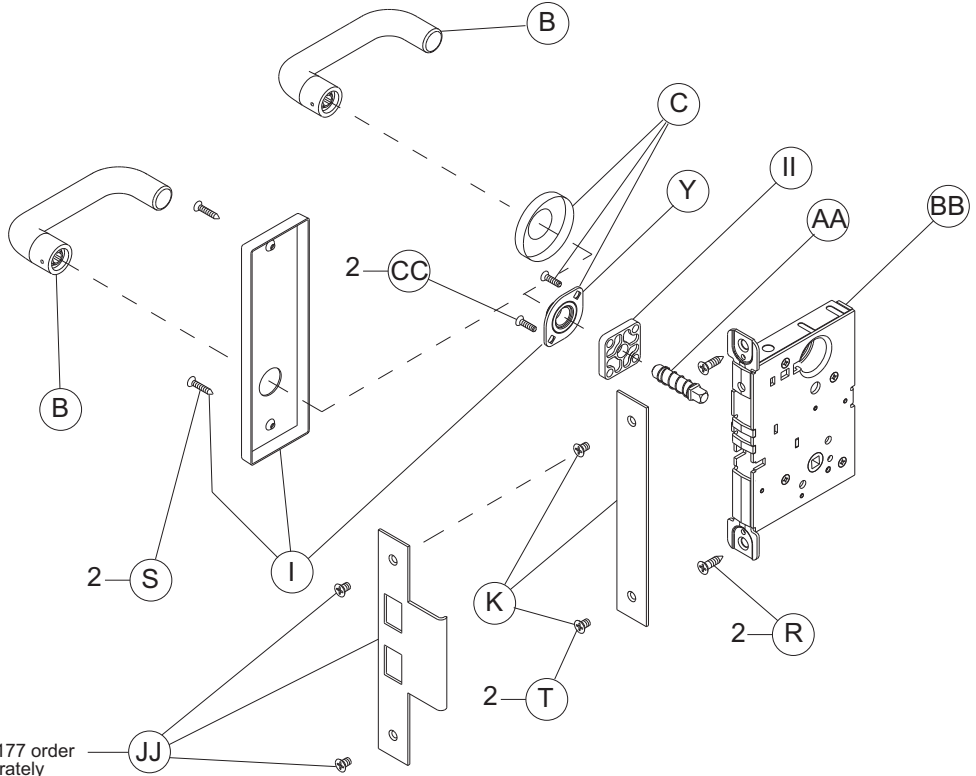
Knobs



Trim Assemblies

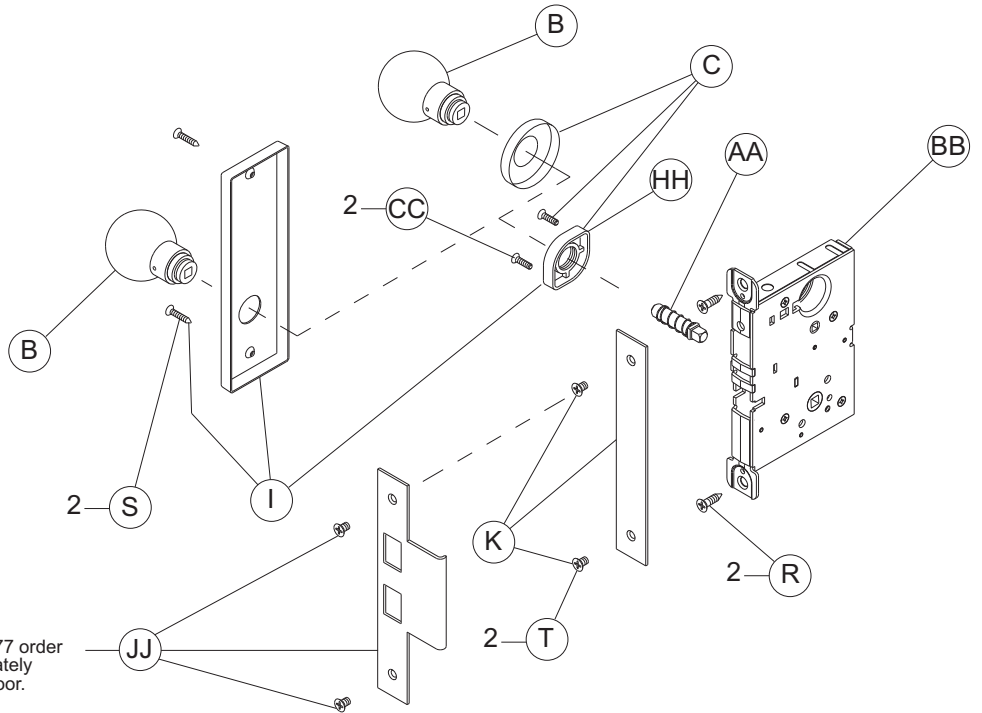
Single Dummy with Case Trim: L9175, L9177 (Discontinued)

Levers



For discontinued function L9177 order L9175 and armor strike separately and specify hand of inactive door. Mount in place of blank armor.

Knobs

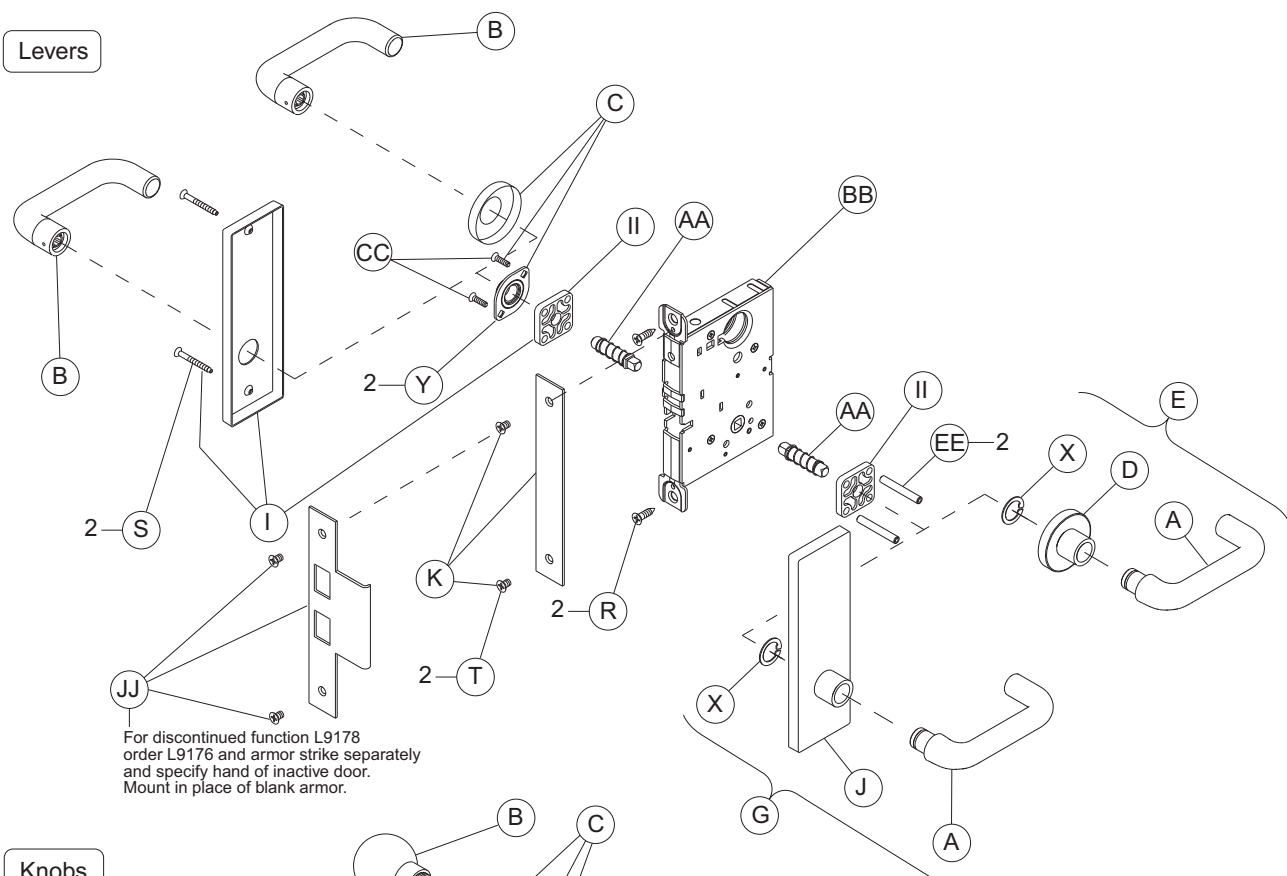


For discontinued function L9177 order L9175 and armor strike separately and specify hand of inactive door. Mount in place of blank armor.

Trim Assemblies

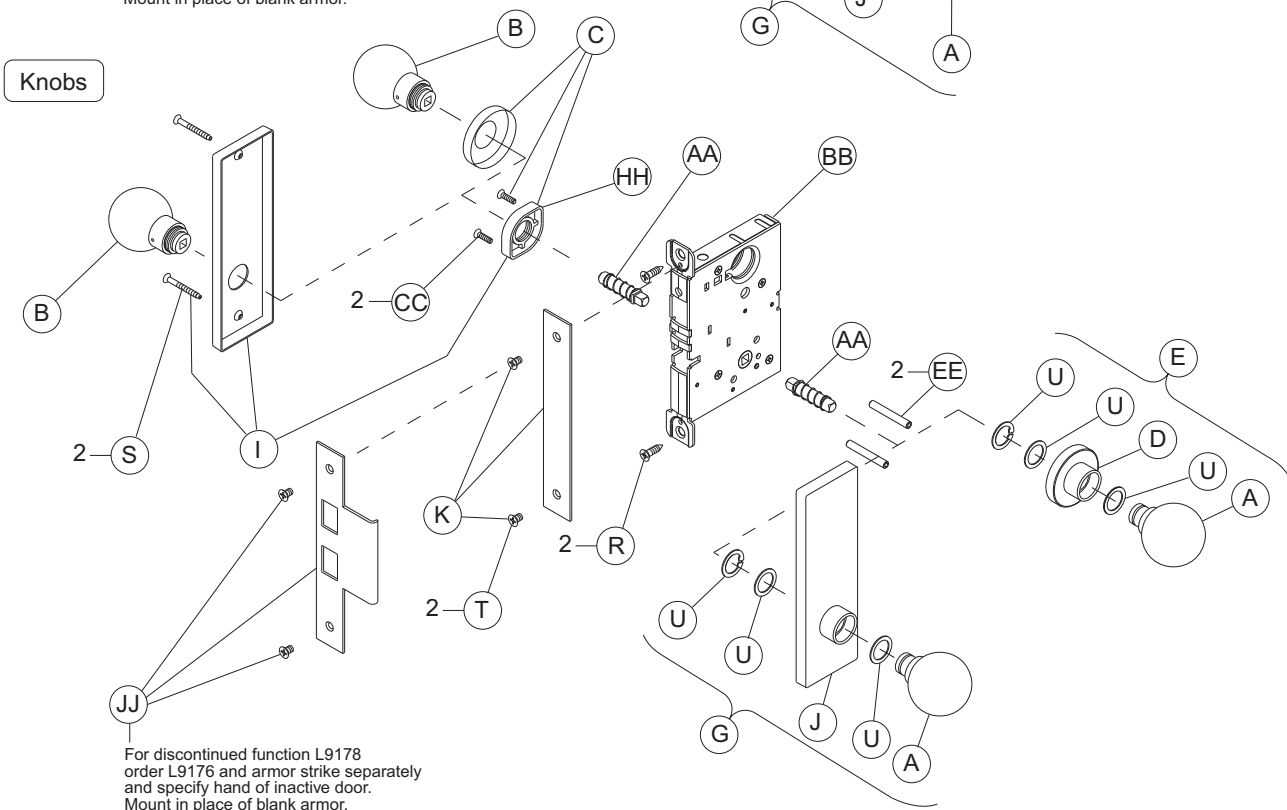
Double Dummy with Case Trim: L9176, L9178 (Discontinued)

Levers



For discontinued function L9178 order L9176 and armor strike separately and specify hand of inactive door. Mount in place of blank armor.

Knobs

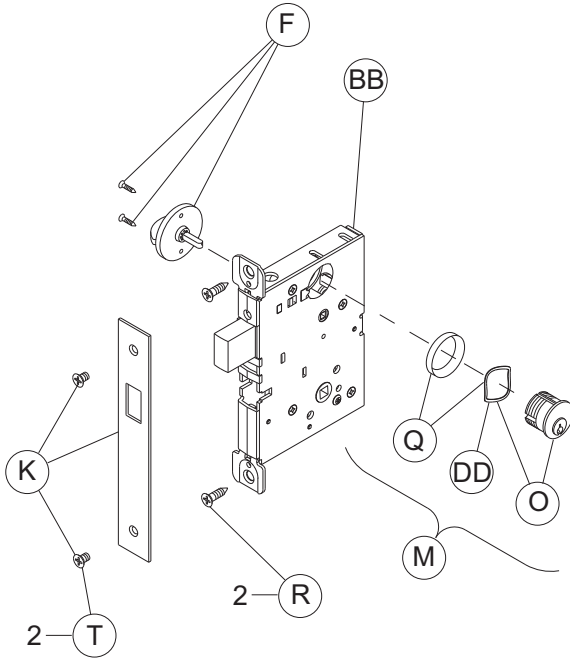


For discontinued function L9178 order L9176 and armor strike separately and specify hand of inactive door. Mount in place of blank armor.

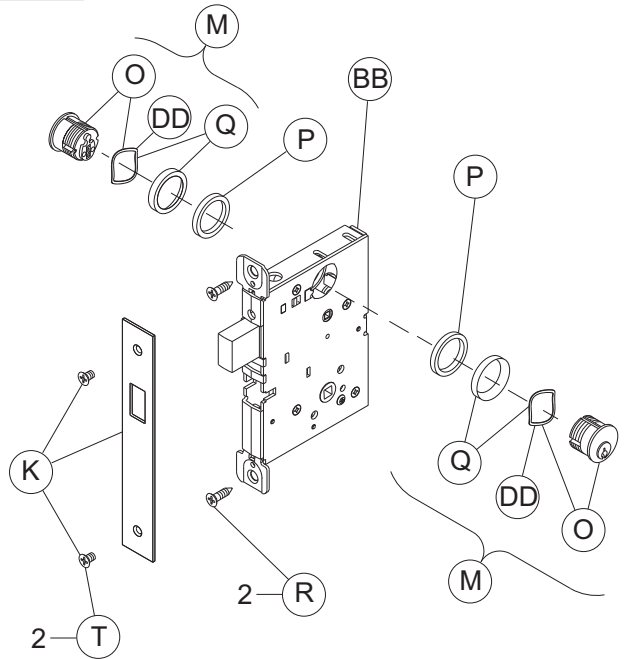
Trim Assemblies

L9000-Series Deadbolt Trim: L9460, L9462, L9463, L9464

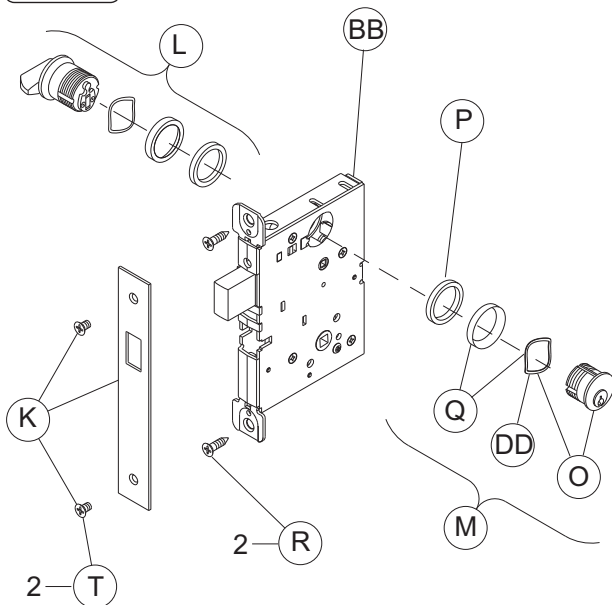
L9460P



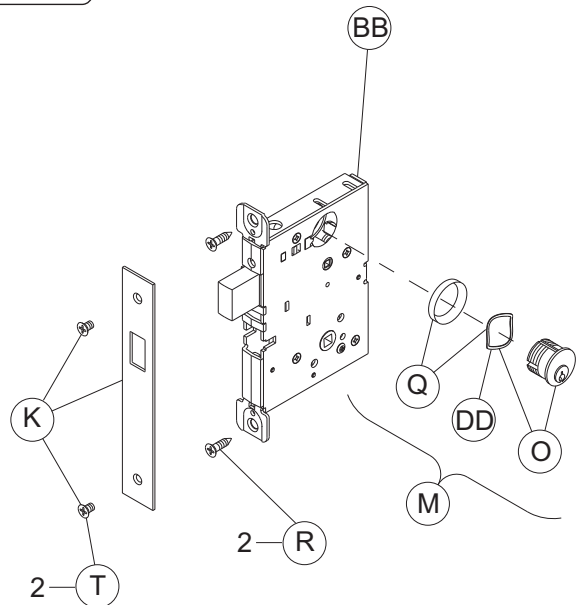
L9462P



L9463P



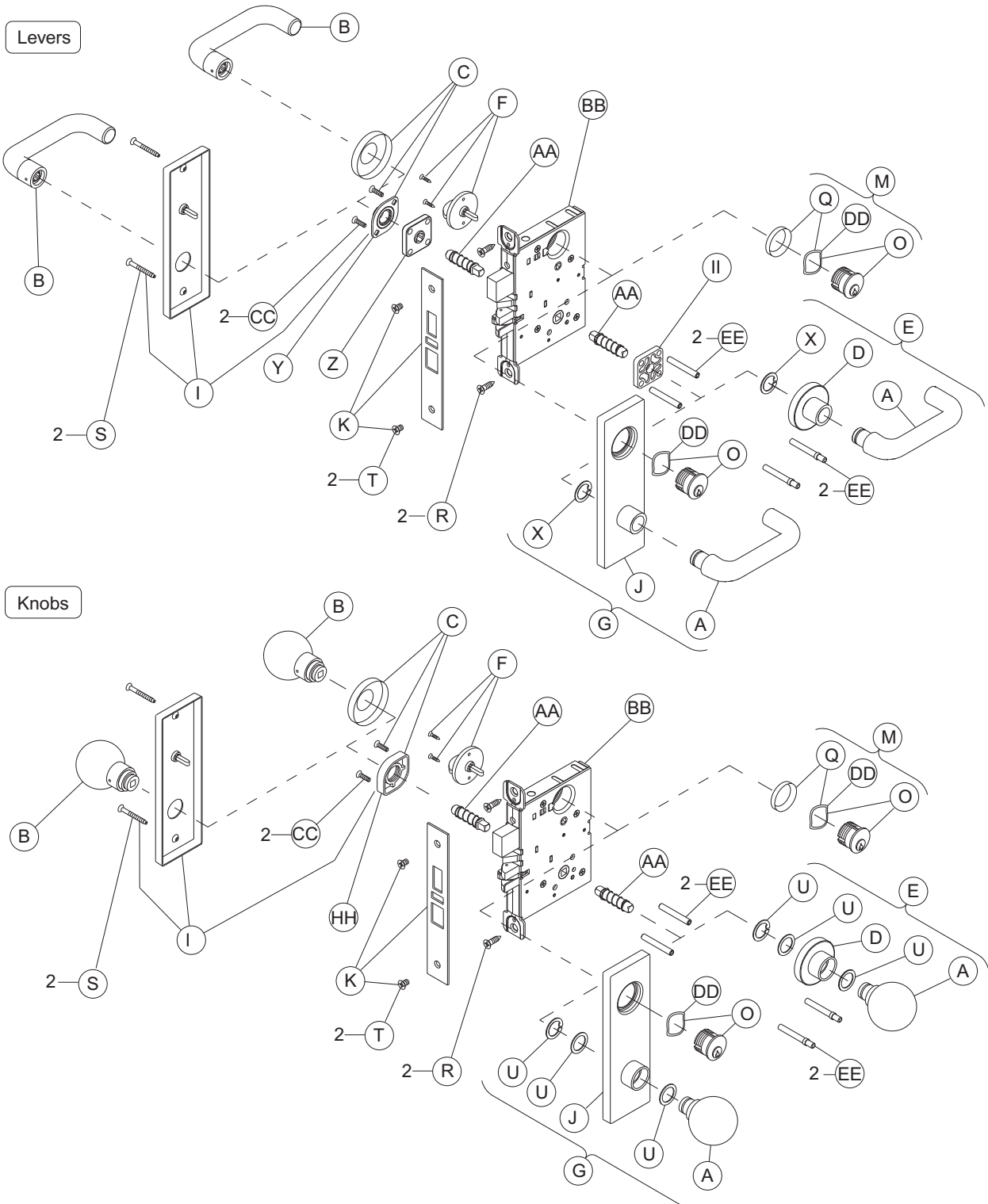
L9464P



NOTE: Standard full face mortise cylinder shown.

Trim Assemblies

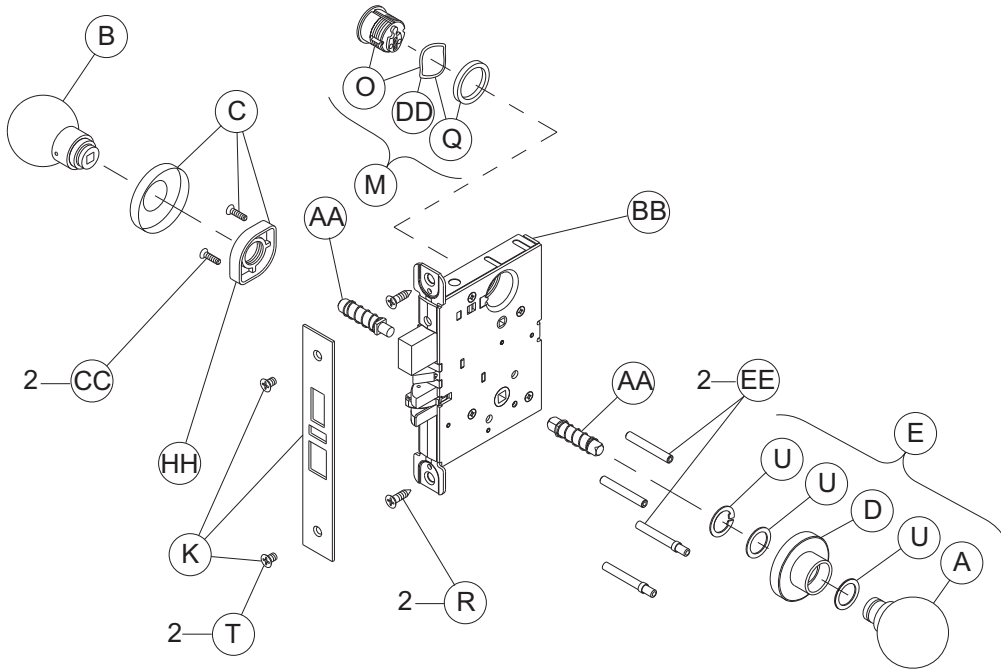
Fixed Outside x Turn Trim: L9460 x XL11-886, L9480, LV9480, L9485, LV9485



NOTES: L9460 x XL11-886 lock function has a deadbolt only. Lock case and armor front shown with latch, auxiliary latch, and deadbolt. Standard full face mortise cylinder shown

Trim Assemblies

Prison Lock Trim: L9485 x XL11-557



NOTE: Standard full face mortise cylinder shown.

Blank

Trim Assemblies Chart

P/N	Description	L0170	L0172	L460	L462	L463	L464	L480	L496	L9010	L9040	L9040	L9040/XL11-446**	L9040/XL11-446**	L9044*	L9044	L9050	L9050	L9056	L9056	L9060	L9060	L9060	L9070	L9070	L9071	L9071	L9076	L9076	L9076	L9077	L9077	L9077	L9080	L9080	L9080EL	L9080EL	L9080EU	L9080EU	L9080EU	L9080EL-RX	L9080EU-RX	L9082	L9082	L9082EL	L9082EU										
		A	09-401	O/S Knob & Lever	•							•	•	•	•	•	•	•	•	•	•	•	•	•	•	•	•	•	•	•	•	•	•	•	•	•	•	•	•	•	•	•	•	•	•	•	•	•	•	•	•	•				
B	09-402	I/S Knob & Lever	•	•						•	•	•	•	•	•	•	•	•	•	•	•	•	•	•	•	•	•	•	•	•	•	•	•	•	•	•	•	•	•	•	•	•	•	•	•	•	•	•	•	•	•					
C	09-403	I/S Rose	•	•						•	•	•	•	•	•	•	•	•	•	•	•	•	•	•	•	•	•	•	•	•	•	•	•	•	•	•	•	•	•	•	•	•	•	•	•	•	•	•	•	•	•	•				
D	09-404	O/S Rose & Bushing	•							•	•	•	•	•	•	•	•	•	•	•	•	•	•	•	•	•	•	•	•	•	•	•	•	•	•	•	•	•	•	•	•	•	•	•	•	•	•	•	•	•	•	•				
Outside Rose & Knob/Lever:																																																								
E	09-506	All design except AST, AVA, MER and 93	•							•	•	•	•	•	•	•	•	•	•	•	•	•	•	•	•	•	•	•	•	•	•	•	•	•	•	•	•	•	•	•	•	•	•	•	•	•	•	•	•	•	•					
	09-655	AST, AVA, MER and 93	•							•	•	•	•	•	•	•	•	•	•	•	•	•	•	•	•	•	•	•	•	•	•	•	•	•	•	•	•	•	•	•	•	•	•	•	•	•	•	•	•	•	•	•				
F	09-509	Thumbturn		•				•	•	•	•	•	•	•	•	•	•	•	•	•	•	•	•	•	•	•	•	•	•	•	•	•	•	•	•	•	•	•	•	•	•	•	•	•	•	•	•	•	•	•	•	•				
	L283-124	Coin turn outside													•	•																																								
Outside Escutcheon x Knob/Lever except 93 lever:																																																								
G	09-550	L & N x blank	•							•																																														
	09-550/ XL11-446	L x thumbturn †											•	•																																										
	09-551	L & N emergency button								•	•																																													
	09-553	L & N x full face cylinder															•	•	•	•	•	•	•	•	•	•	•	•	•	•	•	•	•	•	•	•	•	•	•	•	•	•	•	•	•	•	•	•	•	•	•	•	•	•	•	
	09-554	L x concealed cylinder/indicator																																																						
	09-555	L x full face cylinder/indicator																																																						
H	09-611	Occupancy Indicator							•																																															
Inside Escutcheon for Knob/Lever:																																																								
I	09-632	L & N x blank	•	•						•																																														
	09-633	L & N x thumbturn								•	•	•	•			•	•	•	•																																					
	09-635	L & N x full face cylinder																				•	•					•	•																											

† Not sold separately as a part.
 * Available with rose trim only.
 ** Not available with N escutcheon.

NOTE: Standard cylinder part numbers are shown for cylinder function locks. See page 103-112 for other cylinder options.



Trim Assemblies Chart

	P/N	Description	L9110/XL11-741	L9175	L9176	L9177 (disc)	L9178 (disc)	L9440	LV9440	L9444*	LV9444*	L9453	LV9453	L9456	LV9456	L9457	LV9457	L9460	L9460/XL11-635	L9460/XL11-886	L9462	L9462/XL11-886	L9463	L9464	L9464/XL11-886	L9465	L9466	L9473	L9480	LV9480	L9482/XL11-543	LV9482/XL11-543	L9485	LV9485	L9485/XL11-557**	L9486***⌘	LV9486***⌘	L9496	LV9496													
			A	09-401	O/S Knob & Lever	•	•		•	•	•	•	•	•	•	•	•	•	•	•	•	•	•	•	•			•	•	•	•	•	•	•	•	•	•	•	•	•	•	•	•	•	•	•	•					
B	09-402	I/S Knob & Lever	•	•	•	•	•	•	•	•	•	•	•	•	•	•	•	•	•	•	•	•			•	•	•	•	•	•	•	•	•	•	•	•	•	•	•	•	•	•	•	•	•	•						
C	09-403	I/S Rose	•	•	•	•	•	•	•	•	•	•	•	•	•	•	•	•	•	•	•	•			•	•	•	•	•	•	•	•	•	•	•	•	•	•	•	•	•	•	•	•	•	•						
D	09-404	O/S Rose & Bushing	•	•																						•	•	•	•	•	•	•	•	•	•	•	•	•	•	•	•	•	•	•	•	•						
Outside Rose & Knob/Lever:																																																				
E	09-506	All design except AST, AVA, MER and 93	•	•																																																
	09-655	AST, AVA, MER and 93	•																																																	
F	09-509	Thumbturn																																																		
	L283-124	Coin turn outside									•	•																																								
Outside Escutcheon x Knob/Lever except 93 lever:																																																				
G	09-550	L & N x blank	•	•	•																																															
	09-550/ XL11-446	L x thumbturn†																																																		
	09-551	L & N emergency button																																																		
	09-553	L & N x full face cylinder																																																		
	09-554	L x concealed cylinder/indicator																																																		
	09-555	L x full face cylinder/indicator																																																		
H	09-611	Occupancy Indicator																																																		
Inside Escutcheon for Knob/Lever:																																																				
I	09-632	L & N x blank	•	•	•	•	•																																													
	09-633	L & N x thumbturn																																																		
	09-635	L & N x full face cylinder																																																		

† Not sold separately as a part.
 * Available with rose trim only.
 ** Available with knob x rose trim only.
 *** Not available with N escutcheon.
 ⌘ L9486 and LV9486 available with "Occupied" indicator option. Specify 09-611 x L583-375.

NOTE: Standard cylinder part numbers are shown for cylinder function locks. See page 103-112 for other cylinder options.

Trim Assemblies Chart

P/N	Description	L0170	L0172	L460	L462	L463	L464	L480	L496	L9010	L9040	LV9040	L9040/XL11-446**	LV9040/XL11-446**	L9044*	LV9044	L9050	LV9050	L9056	LV9056	L9060	LV9060	L9070	LV9070	L9071	LV9071	L9076	LV9076	L9077	LV9077	L9080	LV9080	L9080EL	LV9080EL	L9080EU	LV9080EU	L9080EL-RX	LV9080EL-RX	L9082	LV9082	L9082EL	LV9082EU			
		Outside Escutcheon & Bushing x Knob/Lever Except 93 Lever:																																											
09-636	L & N x blank	•								•																																			
09-636/ XL-446	L x thumbturn †												•	•																															
09-637	L & N x emergency button										•	•																																	
09-639	L & N x full face cylinder															•	•	•	•	•	•	•	•	•	•	•	•	•	•	•	•	•	•	•	•	•	•	•	•	•	•	•	•		
09-640	L x concealed cylinder/ind.																																												
09-641	L x full face cylinder, indicator																																												
Outside N Escutcheon & Bushing x 93 Lever:																																													
09-650	Blank	•								•																																			
09-651	Emergency button										•	•	•	•																															
09-652	Full face cylinder															•	•	•	•	•	•	•	•	•	•	•	•	•	•	•	•	•	•	•	•	•	•	•	•	•	•	•	•		
1/4" Armor Front x Schlage Logo:																																													
09-661	Blank																																												
09-662	Latch									•	•	•	•	•	•																														
09-663	Latch & aux. latch															•	•	•	•	•	•	•	•	•	•	•	•	•	•	•	•	•	•	•	•	•	•	•	•	•	•	•	•	•	
09-664	Latch & deadbolt																																												
09-665	Deadbolt																																												
09-666	Latch, aux. latch and deadbolt																																												
09-713	Latch, aux. latch less UL stamp																								•	•	•	•																	
09-717	L400-Series deadbolt	•	•	•	•	•	•	•																																					
L 09-905	Classroom Turn & 1 1/8" blocking ring				•																																								
Full Face Cylinder with Compression Ring and Spring:																																													
M 20-001	Straight cam																			•	•																								
30-001	Clover leaf cam	•	2	•	•	•										•	•	•	•	•	•	•	•	•	•	•	•	•	•	•	•	•	•	•	•	•	•	•	•	•	•	•	•	•	
30-002	Hotel (handed)																																												

† Not sold separately as a part.
 * Available with rose trim only.
 ** Not available with N escutcheon.

NOTE: Standard cylinder part numbers are shown for cylinder function locks. See page 103-112 for other cylinder options.



Trim Assemblies Chart

P/N	Description	L9110/XL11-741	L9175	L9176	L9177 (disc)	L9178 (disc)	L9440	LV9440	L9444*	LV9444*	L9453	LV9453	L9456	LV9456	L9457	LV9457	L9460	L9460/XL11-635	L9460/XL11-886	L9462	L9462/XL11-886	L9463	L9464	L9464/XL11-886	L9465	L9466	L9473	L9480	LV9480	L9482/XL11-543	LV9482/XL11-543	L9485	LV9485	L9485/XL11-557**	L9486***⌘	LV9486***⌘	L9496	LV9496				
		Outside Escutcheon & Bushing x Knob/Lever Except 93 Lever:																																								
09-636	L & N x blank	•	•	•																																						
09-636/ XL-446	L x thumbturn†																																									
09-637	L & N x emergency button						•	•																																		
09-639	L & N x full face cylinder										•	•	•	•	•	•		•	•						•	•	•	•	•	•	•	•	•	•	•							
09-640	L x concealed cylinder/ind.																																									
09-641	L x full face cylinder, indicator																																				•	•	•	•		
Outside N Escutcheon & Bushing x 93 Lever:																																										
09-650	Blank			•	•																																					
09-651	Emergency button						•	•																																		
09-652	Full face cylinder										•	•	•	•	•	•										•	•	•	•	•	•		•	•								
1 1/4" Armor Front x Schlage Logo:																																										
09-661	Blank	•	•	•																																						
09-662	Latch																																									
09-663	Latch & aux. latch																																									
09-664	Latch & deadbolt						•	•	•	•		•	•	•	•										•	•	•														•	•
09-665	Deadbolt																•	•	•	•	•	•	•	•																		
09-666	Latch, aux. latch and deadbolt										•	•															•	•	•	•	•	•	•	•	•	•	•	•	•			
09-713	Latch, aux. latch less UL stamp																																									
09-717	L400-Series deadbolt																																									
L 09-905	Classroom Turn & 1 1/8" blocking ring																							•																		
Full Face Cylinder with Compression Ring and Spring:																																										
M 20-001	Straight cam																																									
30-001	Clover leaf cam										•	•	•	•	2	2	•	•	•	2	2	•	•	•	•	•	2	•	•	•	2	2	•	•					•	•		
30-002	Hotel (handed)																																							•	•	

† Not sold separately as a part.

* Available with rose trim only.

** Available with knob x rose trim only.

*** Not available with N escutcheon.

⌘ L9486 and LV9486 available with "Occupied" indicator option. Specify 09-611 x L583-375.

NOTE: Standard cylinder part numbers are shown for cylinder function locks. See page 103-112 for other cylinder options.

Trim Assemblies Chart

	P/N	Description	L0170	L0172	L460	L462	L463	L464	L480	L496	L9010	L9040	L9040	L9040/XL11-446**	L9040/XL11-446**	L9044*	LV9044	L9050	LV9050	L9056	LV9056	L9060	LV9060	L9070	LV9070	L9071	LV9071	L9076	LV9076	L9077	LV9077	L9080	LV9080	L9080EL	LV9080EL	L9080EU	LV9080EU	L9080EL-RX***	LV9080EL-RX***	L9082	LV9082	L9082EL	LV9082EU			
			Assembled Lock Case:																																											
CC	F506-237	Wood doors x L escutcheon	2																																											
	L583-066	Wood/metal doors x rose/ Escutcheon x knob/lever except single dummy	2								2	2		2		2		2		2		2		2		2		2		2		2		2		2		2	2	2	2	2	2			
	L583-290	Wood/metal doors x rose/ Escutcheon x lever	2																																											
	L583-291	Wood/metal doors x rose/ Escutcheon x knob	2																																											
DD	L583-195	Compression spring			•	2	•	•		•								•	•	•	•	2	2	•	•	2	2	•	•	2	2	•	•	•	•	•	•	•	•	•	•	•	2	2	2	2
EE	L583-212	Mounting posts, L	2								2	2		2		2		2		2		2		2		2		2		2		2		2		2		2		2	2	2	2	2		
	L583-497	Mounting posts, LV											2	2		2		2		2		2		2		2		2		2		2		2		2		2		2		2		2		
FF	L583-233	Emergency turn										•	•																																	
GG	L583-286	Dummy mounting bar	•	•																																										
HH	L583-321	I/S Knob mounting plate	•	•						•	•		•		•		•		•		•		•		•		•		•		•		•		•		•		•		•		•		•	
II	L583-322	Lever spacer	•	2																																										2
JJ	10-091	Armor strike																																												

* Available with rose trim only.

** Available with knob x rose trim only.

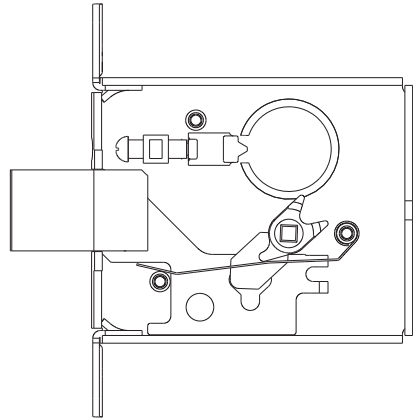
*** Not available with N escutcheon.

NOTE: Standard cylinder part numbers are shown for cylinder function locks. See page 103-112 for other cylinder options.

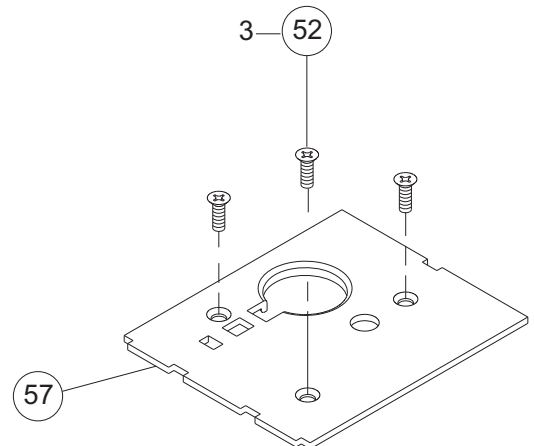
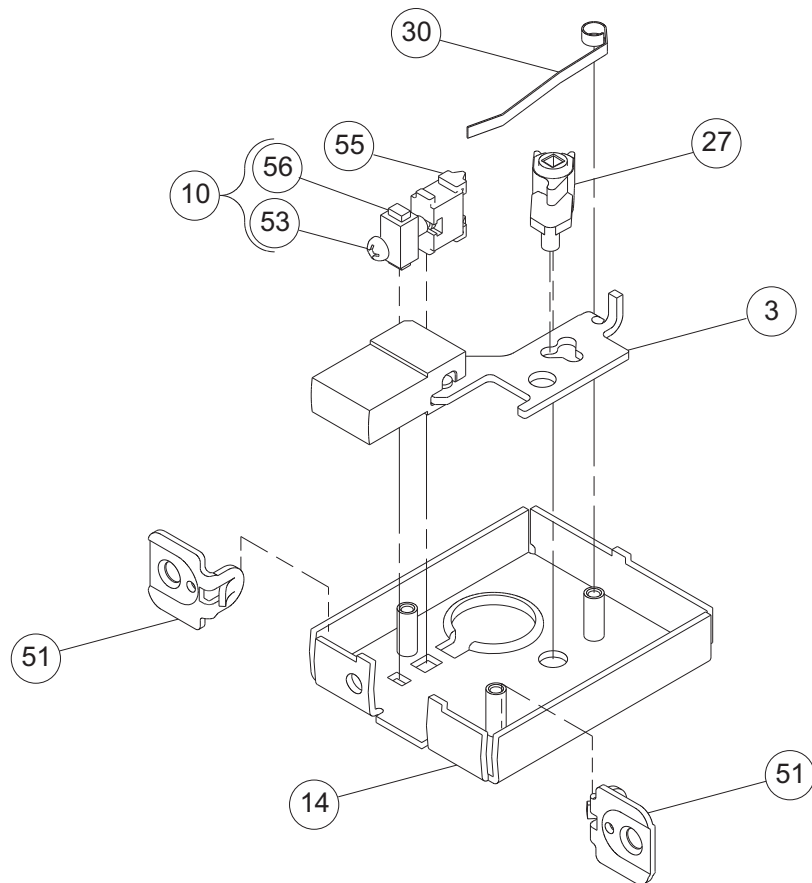
Lock Case Assemblies

L460, L462, L463, L464, L480, L496

Assembled Lock Case L283-099



Number	Description	Part Number
3	Deadbolt	L283-003
10	Cylinder Plate & Screw	L283-055
14	L400 Lock Case	L283-128
27	Turn Hub	L583-029
30	Turn Hub Spring	L583-035
51	1¼" Faceplate Tab	L583-426
52	Case Cover Screws	L583-454
53	Cylinder Retainer Screw	L583-481
55	Cylinder Retainer	L583-490
56	Screw Plate	L583-492
57	Lock Case Cover	L583-494

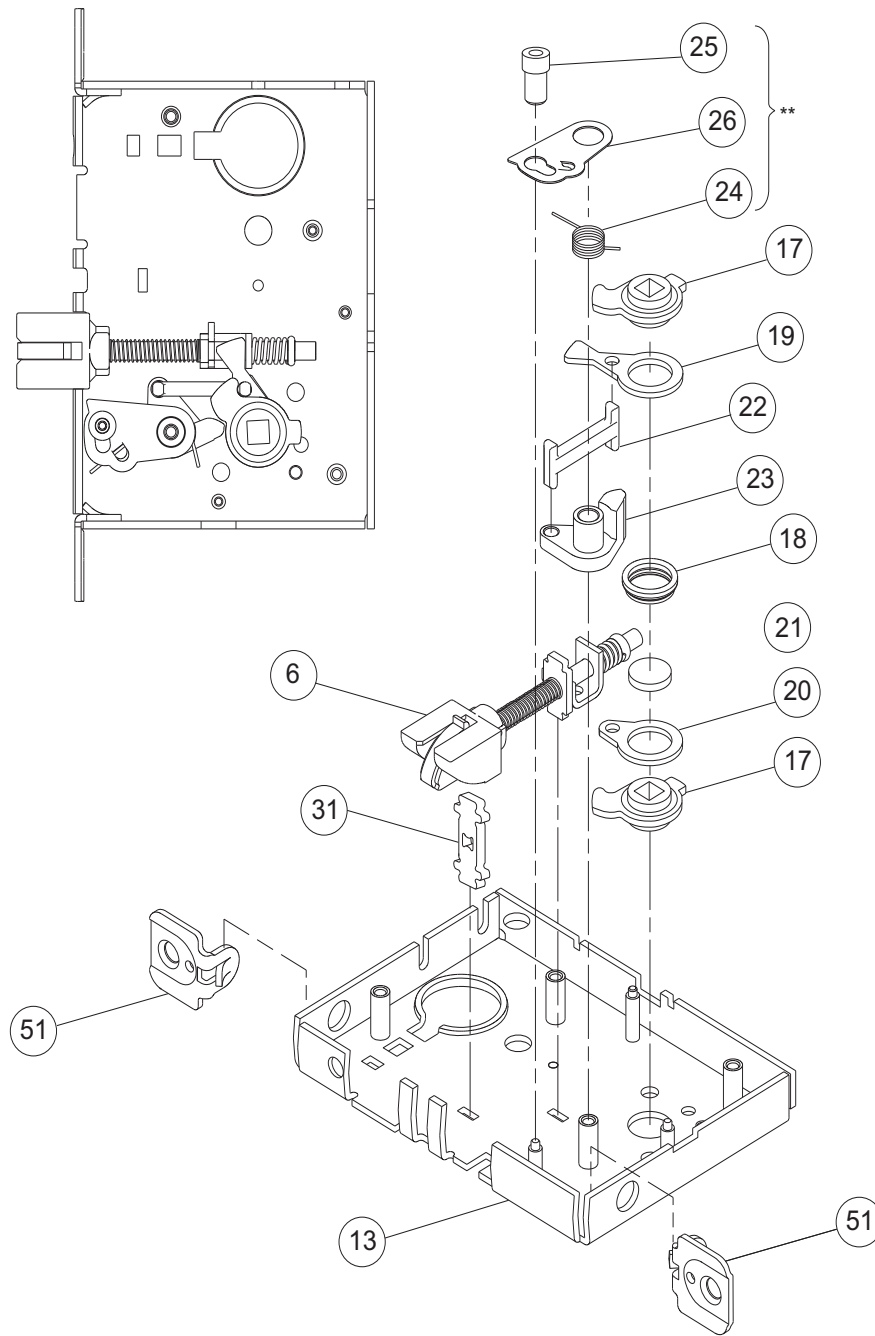


NOTE: Lock case assembly shown for LH and LHR doors.

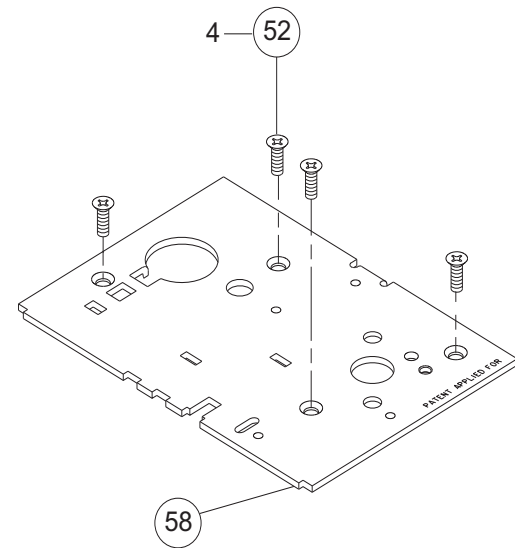
Lock Case Assemblies

L9010

Assembled Lock Case L283-131



Number	Description	Part Number
6	Latchbolt	L283-008
13	L9000 Lock Case	L283-112
17	Retractor Hub	L583-019
18	Hub Spacer	L583-020
19	Retractor Lever	L583-021
20	Retractor Rocker	L583-022
21	Blocking Plate	L583-023
22	Retractor Link	L583-024
23	Retractor Crank	L583-025
24	Hub Spring	L583-026
25	Fire Door Fuse	L583-027
26	Fire Door Catch	L583-028
31	Auxiliary Bar Guide	L583-038
51	1 1/4" Faceplate Tab	L583-426
52	Case Cover Screws	L583-454
58	Lock Case Cover	L583-496

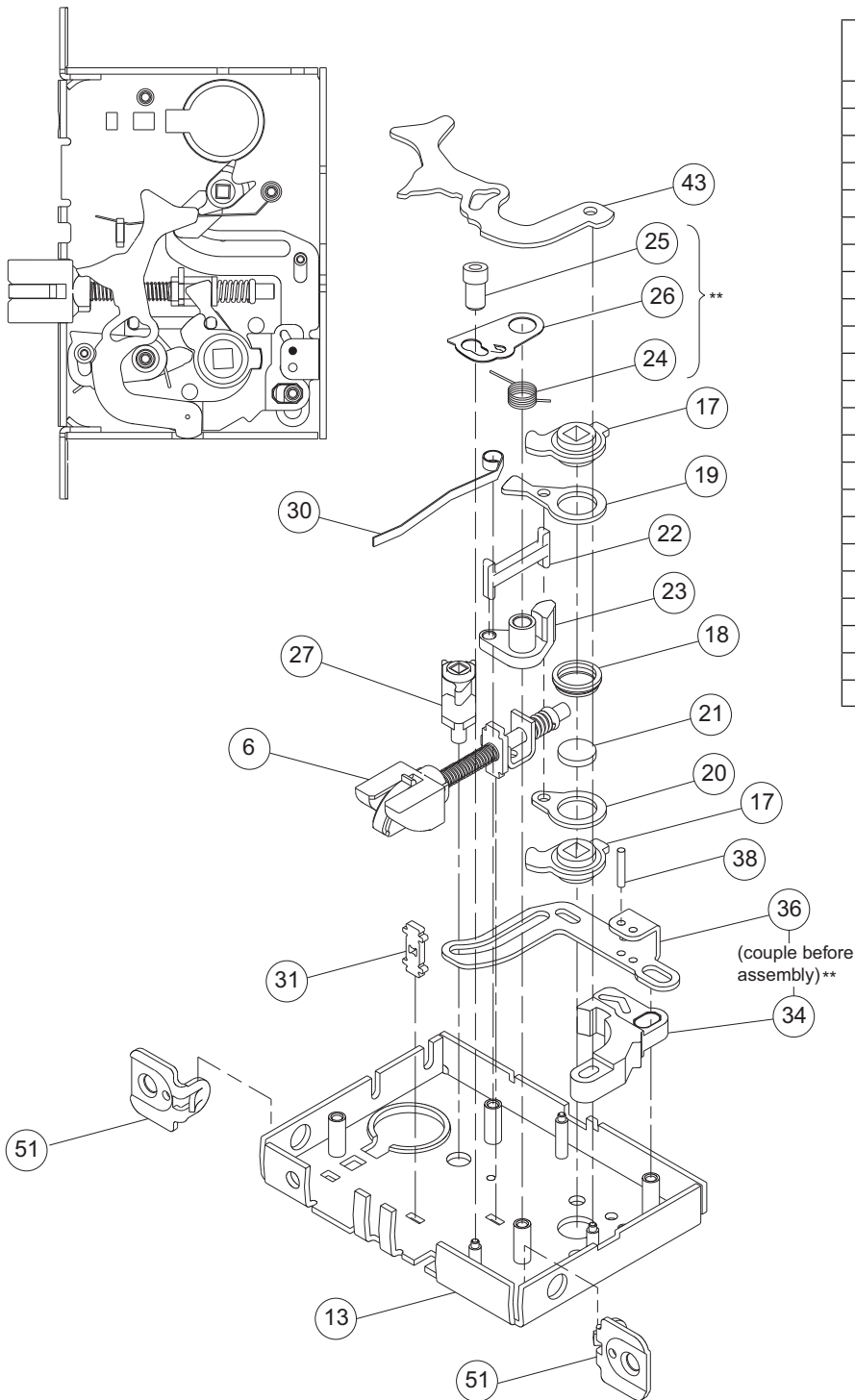


** See "Assembly of Lock Case Parts" on page 87.
 NOTE: Lock case assembly shown for LH and LHR doors.

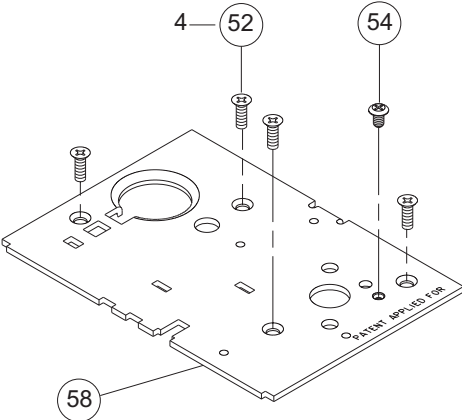
Lock Case Assemblies

L9040, L9040 x XL11-446, L9044

Assembled Lock Case L283-132



Number	Description	Part Number
6	Latchbolt	L283-008
13	L9000 Lock Case	L283-112
17	Retractor Hub	L583-019
18	Hub Spacer	L583-020
19	Retractor Lever	L583-021
20	Retractor Rocker	L583-022
21	Blocking Plate	L583-023
22	Retractor Link	L583-024
23	Retractor Crank	L583-025
24	Hub Spring	L583-026
25	Fire Door Fuse	L583-027
26	Fire Door Catch	L583-028
27	Turn Hub	L583-029
30	Turn Hub Spring	L583-035
31	Auxiliary Bar Guide	L583-038
34	Locking Catch	L583-045
36	Locking Link	L583-048
38	Link Pin	L583-050
43	Simultaneous Retractor	L583-058
51	1/4" Faceplate Tab	L583-426
52	Case Cover Screws	L583-454
54	Lock Handing Screw	L583-485
58	Lock Case Cover	L583-496



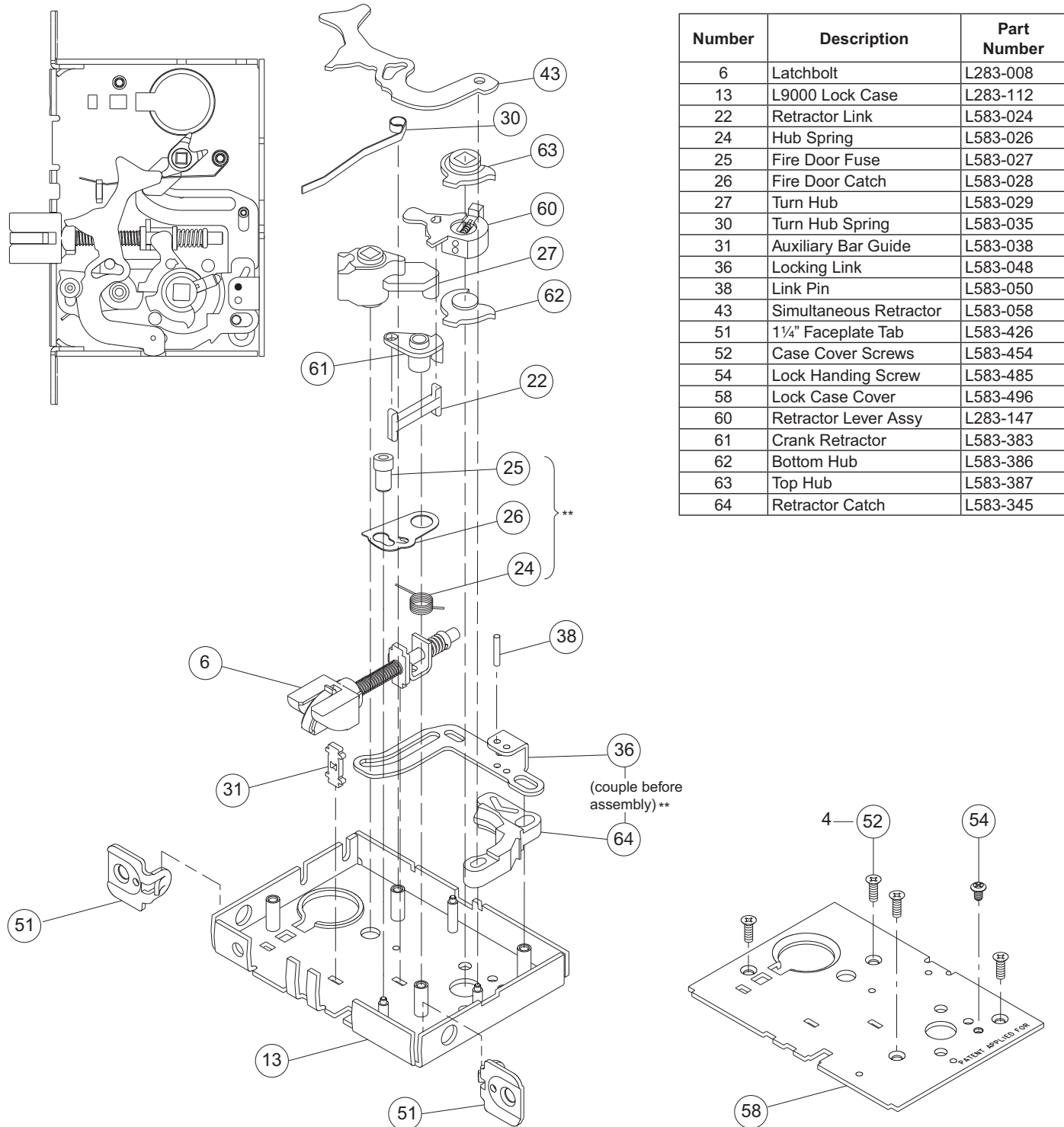
** See "Assembly of Lock Case Parts" on page 87.

NOTE: Lock case assembly shown for LH and LHR doors. See page 118 for instructions on changing the lock hand.

Lock Case Assemblies

LV9040, LV9040 x XL11-446, LV9044

Assembled Lock Case L283-171



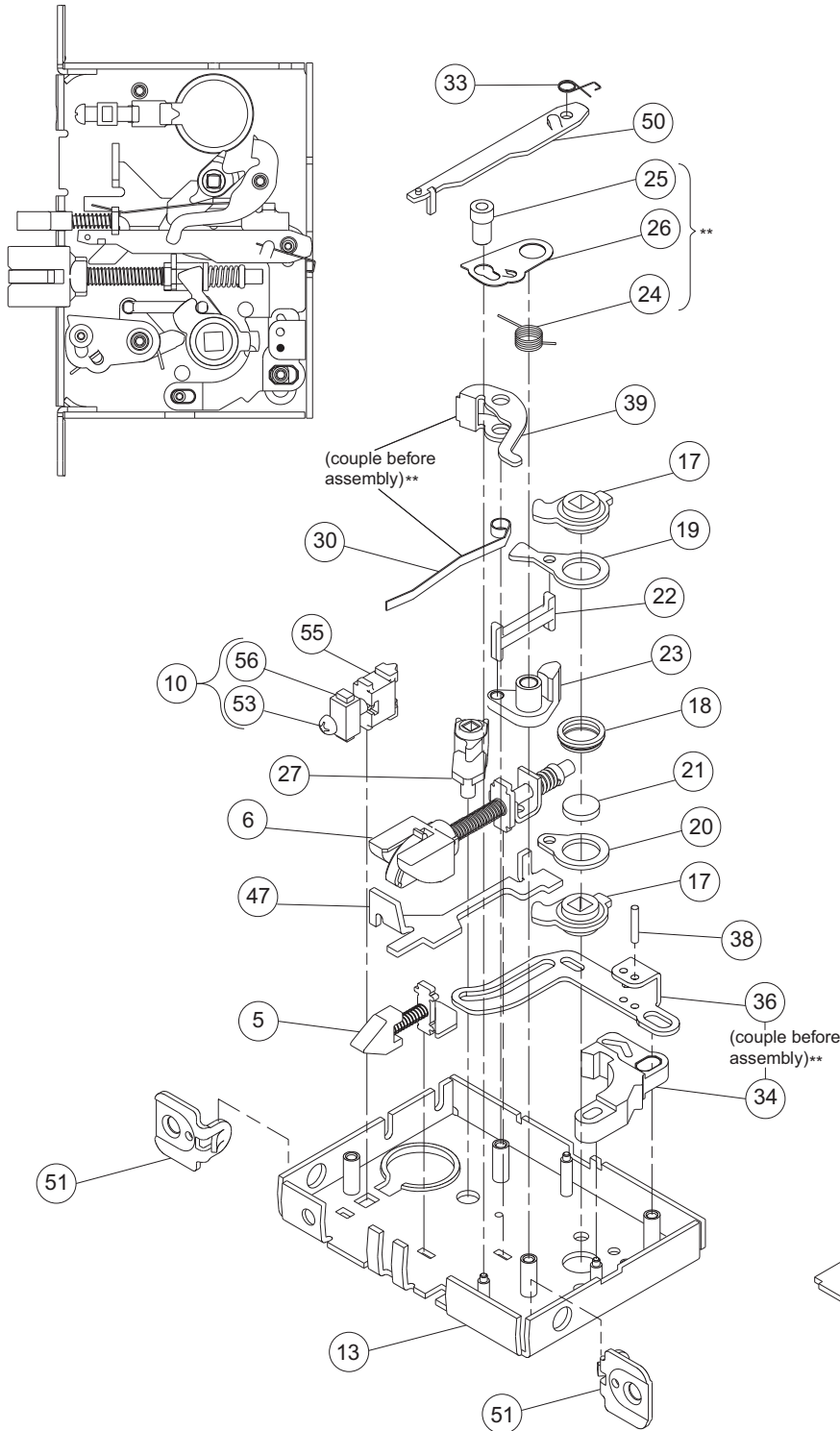
** See "Assembly of Lock Case Parts" on page 87.

NOTE: Lock case assembly shown for RH and RHR doors. See page 118 for instructions on changing the lock hand.

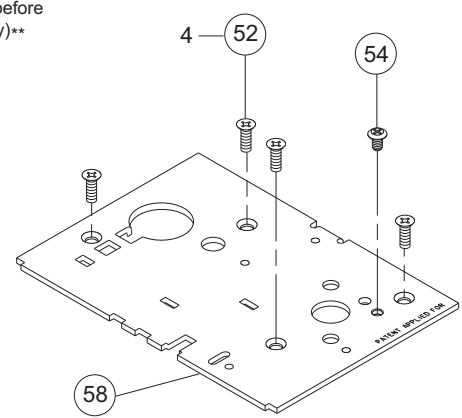
Lock Case Assemblies

L9050, L9060, L9070, L9071

Assembled Lock Case L283-133



Number	Description	Part Number
5	Auxiliary Latchbolt	L283-006
6	Latchbolt	L283-008
10	Cylinder Plate & Screw	L283-055
13	L9000 Lock Case	L283-112
17	Retractor Hub	L583-019
18	Hub Spacer	L583-020
19	Retractor Lever	L583-021
20	Retractor Rocker	L583-022
21	Blocking Plate	L583-023
22	Retractor Link	L583-024
23	Retractor Crank	L583-025
24	Hub Spring	L583-026
25	Fire Door Fuse	L583-027
26	Fire Door Catch	L583-028
27	Turn Hub	L583-029
30	Turn Hub Spring	L583-035
33	Stop Spring	L583-044
34	Locking Catch	L583-045
36	Locking Link	L583-048
38	Link Pin	L583-050
39	Transfer Lever	L583-051
47	Transfer Lifter	L583-156
50	Auxiliary Stop	L583-196
51	1 1/4" Faceplate Tab	L583-426
52	Case Cover Screws	L583-454
53	Cylinder Retainer Screw	L583-481
54	Lock Handing Screw	L583-485
55	Cylinder Retainer	L583-490
56	Screw Plate	L583-492
58	Lock Case Cover	L583-496



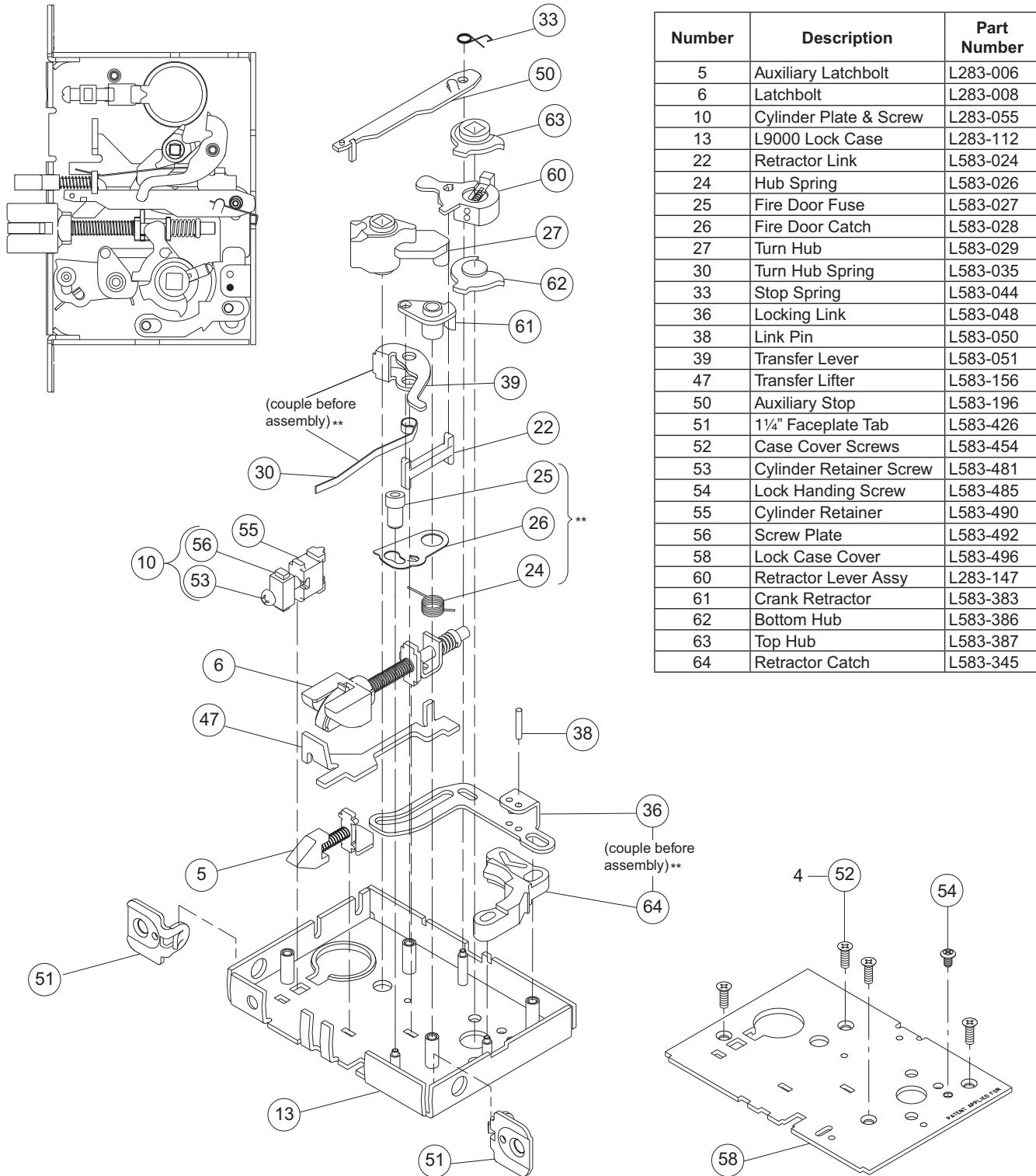
** See "Assembly of Lock Case Parts" on page 87.

NOTE: Lock case assembly shown for LH and LHR doors. See page 118 for instructions on changing the lock hand.

Lock Case Assemblies

LV9050, LV9060, LV9070, LV9071

Assembled Lock Case L283-170



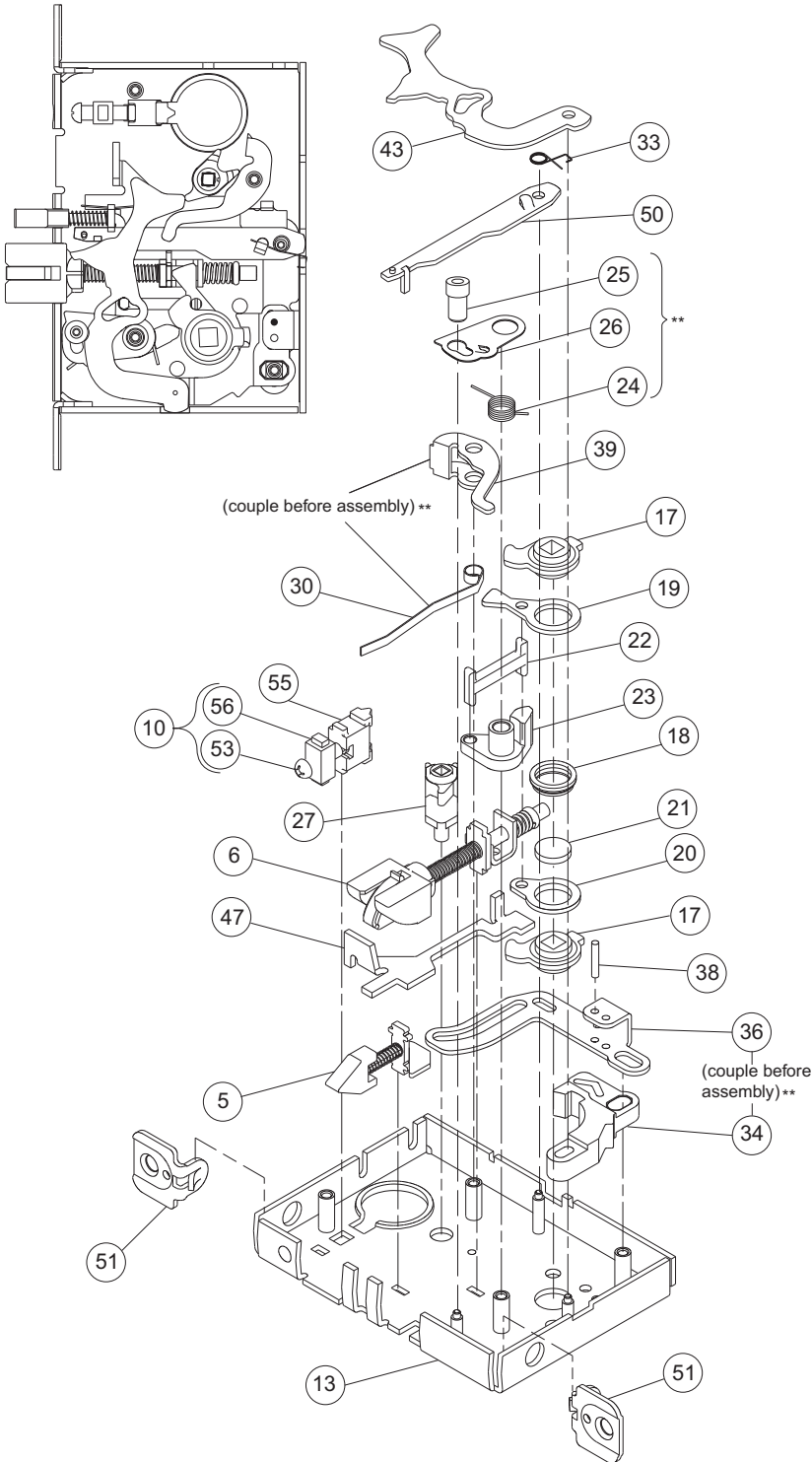
** See "Assembly of Lock Case Parts" on page 87.

NOTE: Lock case assembly shown for RH and RHR doors. See page 118 for instructions on changing the lock hand.

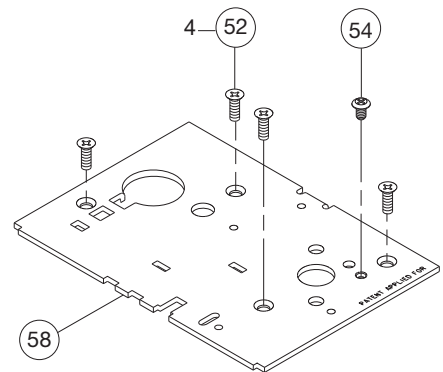
Lock Case Assemblies

L9056

Assembled Lock Case L283-126



Number	Description	Part Number
5	Auxiliary Latchbolt	L283-006
6	Latchbolt	L283-008
10	Cylinder Plate & Screw	L283-055
13	L9000 Lock Case	L283-112
17	Retractor Hub	L583-019
18	Hub Spacer	L583-020
19	Retractor Lever	L583-021
20	Retractor Rocker	L583-022
21	Blocking Plate	L583-023
22	Retractor Link	L583-024
23	Retractor Crank	L583-025
24	Hub Spring	L583-026
25	Fire Door Fuse	L583-027
26	Fire Door Catch	L583-028
27	Turn Hub	L583-029
30	Turn Hub Spring	L583-035
33	Stop Spring	L583-044
34	Locking Catch	L583-045
36	Locking Link	L583-048
38	Link Pin	L583-050
39	Transfer Lever	L583-051
43	Simultaneous Retractor	L583-058
47	Transfer Lifter	L583-156
50	Auxiliary Stop	L583-196
51	1/4" Faceplate Tab	L583-426
52	Case Cover Screws	L583-454
53	Cylinder Retainer Screw	L583-481
54	Lock Handing Screw	L583-485
55	Cylinder Retainer	L583-490
56	Screw Plate	L583-492
58	Lock Case Cover	L583-496



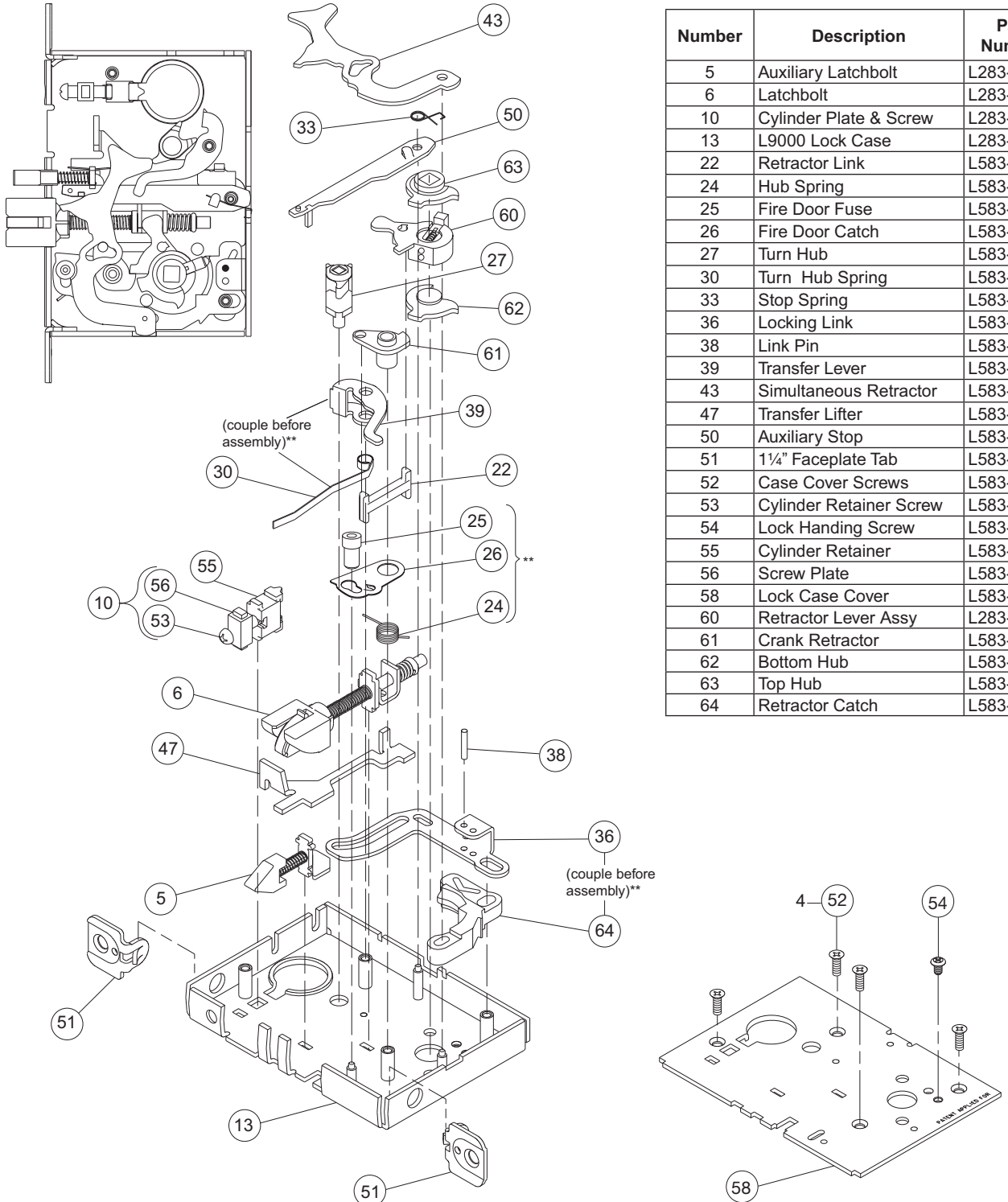
** See "Assembly of Lock Case Parts" on page 87.

NOTE: Lock case assembly shown for LH and LHR doors. See page 118 for instructions on changing the lock hand.

Lock Case Assemblies

LV9056

Assembled Lock Case L283-180



Number	Description	Part Number
5	Auxiliary Latchbolt	L283-006
6	Latchbolt	L283-008
10	Cylinder Plate & Screw	L283-055
13	L9000 Lock Case	L283-112
22	Retractor Link	L583-024
24	Hub Spring	L583-026
25	Fire Door Fuse	L583-027
26	Fire Door Catch	L583-028
27	Turn Hub	L583-029
30	Turn Hub Spring	L583-035
33	Stop Spring	L583-044
36	Locking Link	L583-048
38	Link Pin	L583-050
39	Transfer Lever	L583-051
43	Simultaneous Retractor	L583-058
47	Transfer Lifter	L583-156
50	Auxiliary Stop	L583-196
51	1 1/4" Faceplate Tab	L583-426
52	Case Cover Screws	L583-454
53	Cylinder Retainer Screw	L583-481
54	Lock Handing Screw	L583-485
55	Cylinder Retainer	L583-490
56	Screw Plate	L583-492
58	Lock Case Cover	L583-496
60	Retractor Lever Assy	L283-147
61	Crank Retractor	L583-383
62	Bottom Hub	L583-386
63	Top Hub	L583-387
64	Retractor Catch	L583-345

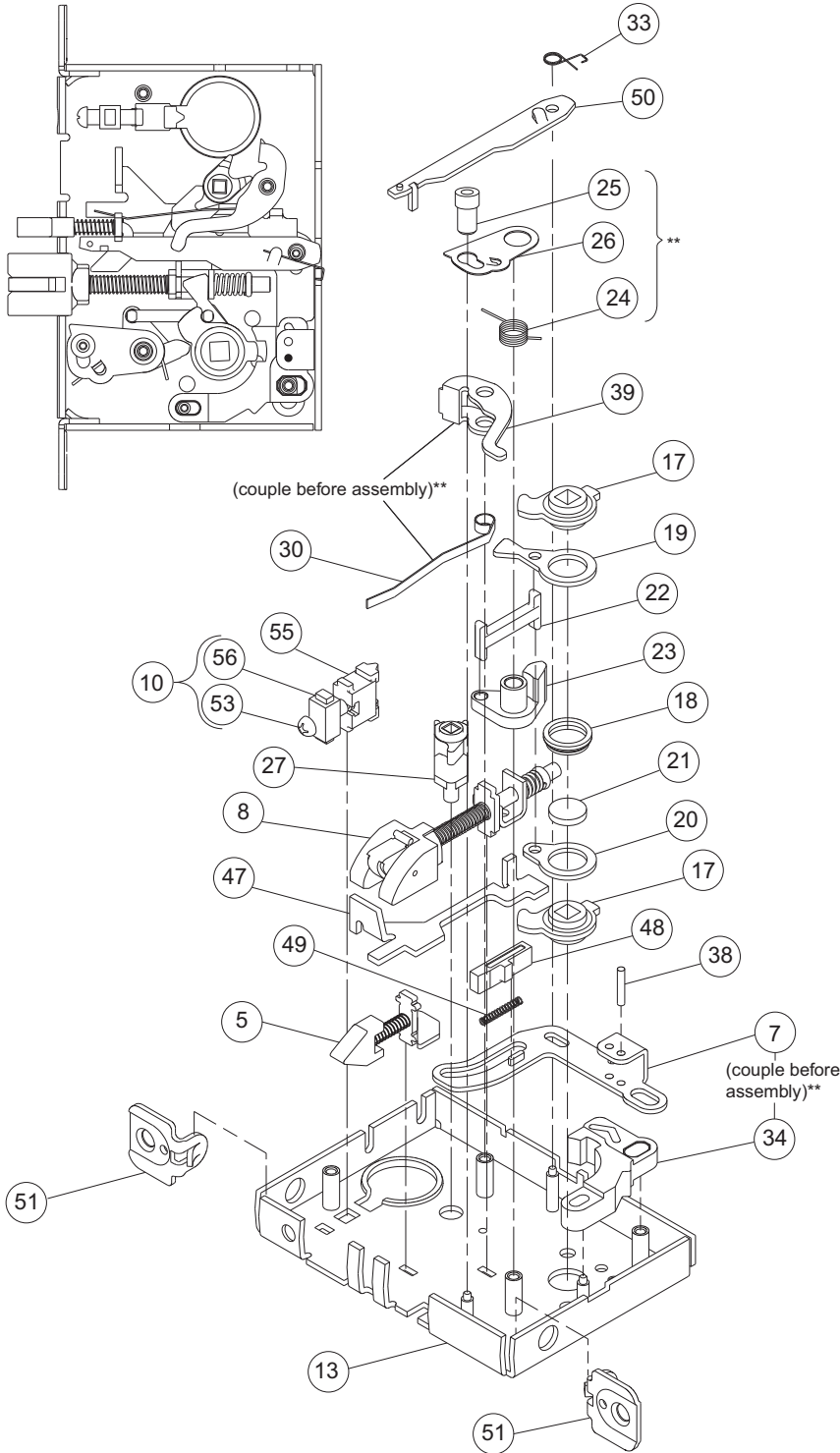
** See "Assembly of Lock Case Parts" on page 87.

NOTE: Lock case assembly shown for RH and RHR doors. See page 118 for instructions on changing the lock hand.

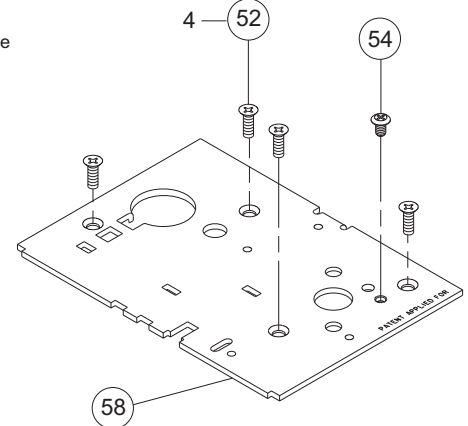
Lock Case Assemblies

L9076, L9077

Assembled Lock Case L283-039



Number	Description	Part Number
5	Auxiliary Latchbolt	L283-006
7	Locking Link	L283-010
8	Latchbolt	L283-049
10	Cylinder Plate & Screw	L283-055
13	L9000 Lock Case	L283-112
17	Retractor Hub	L583-019
18	Hub Spacer	L583-020
19	Retractor Lever	L583-021
20	Retractor Rocker	L583-022
21	Blocking Plate	L583-023
22	Retractor Link	L583-024
23	Retractor Crank	L583-025
24	Hub Spring	L583-026
25	Fire Door Fuse	L583-027
26	Fire Door Catch	L583-028
27	Turn Hub	L583-029
30	Turn Hub Spring	L583-035
33	Stop Spring	L583-044
34	Locking Catch	L583-045
38	Link Pin	L583-050
39	Transfer Lever	L583-051
47	Transfer Lifter	L583-156
48	Holdback Dog	L583-174
49	Dog Spring	L583-192
50	Auxiliary Stop	L583-196
51	1 1/4" Faceplate Tab	L583-426
52	Case Cover Screws	L583-454
53	Cylinder Retainer Screw	L583-481
54	Lock Handing Screw	L583-485
55	Cylinder Retainer	L583-490
56	Screw Plate	L583-492
58	Lock Case Cover	L583-496



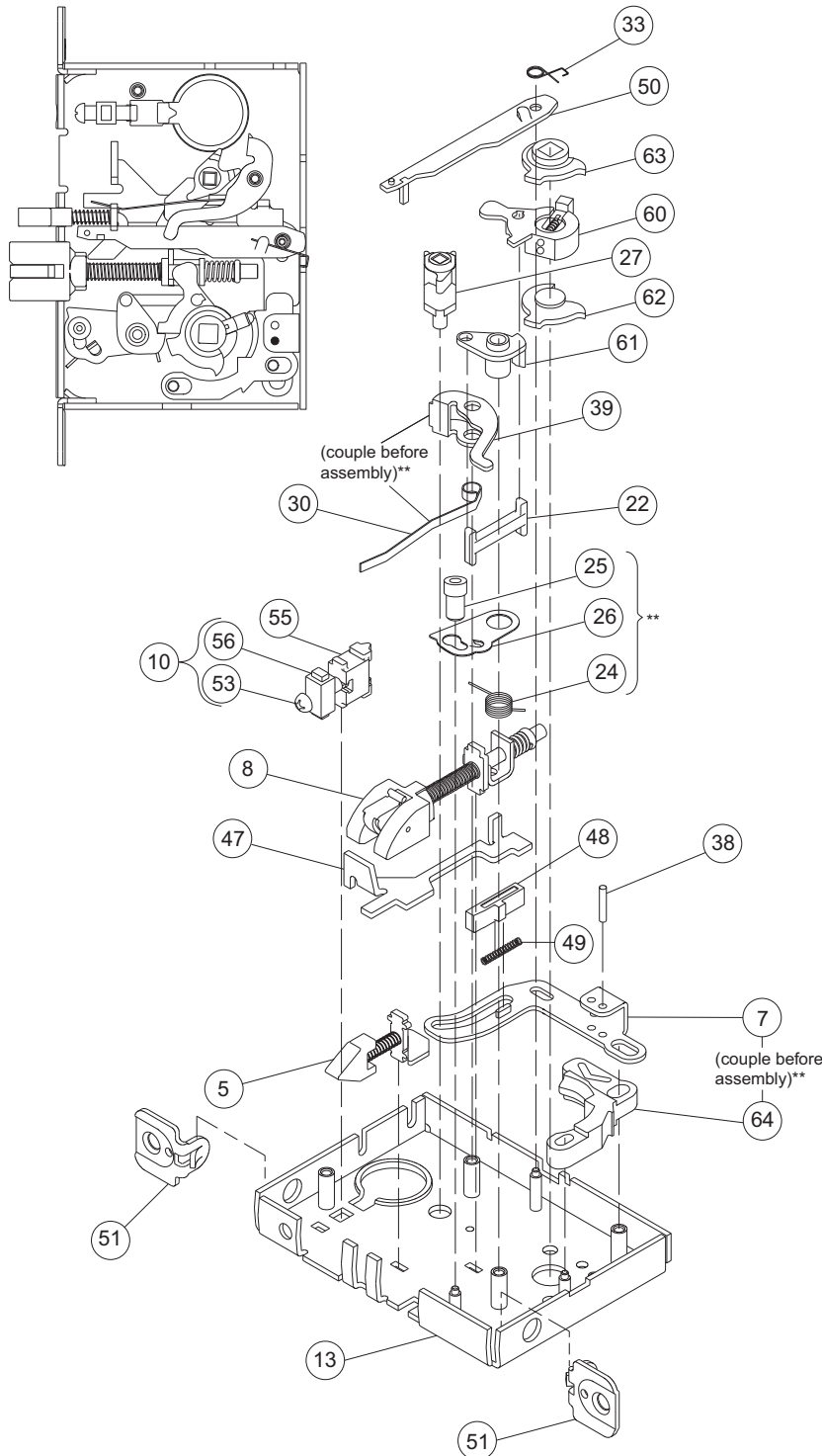
** See "Assembly of Lock Case Parts" on page 87.

NOTE: Lock case assembly shown for LH and LHR doors. See page 118 for instructions on changing the lock hand.

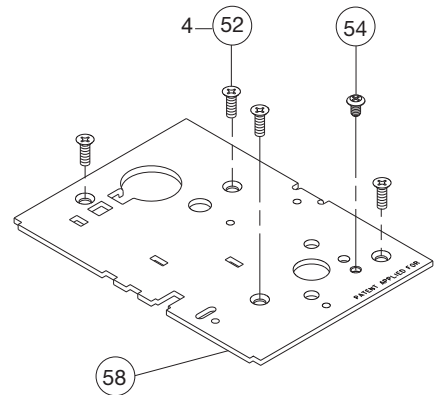
Lock Case Assemblies

LV9076, LV9077

Assembled Lock Case L283-172



Number	Description	Part Number
5	Auxiliary Latchbolt	L283-006
7	Locking Link	L283-010
8	Latchbolt	L283-049
10	Cylinder Plate & Screw	L283-055
13	L9000 Lock Case	L283-112
22	Retractor Link	L583-024
24	Hub Spring	L583-026
25	Fire Door Fuse	L583-027
26	Fire Door Catch	L583-028
27	Turn Hub	L583-029
30	Turn Hub Spring	L583-035
33	Stop Spring	L583-044
38	Link Pin	L583-050
39	Transfer Lever	L583-051
47	Transfer Lifter	L583-156
48	Holdback Dog	L583-174
49	Dog Spring	L583-192
50	Auxiliary Stop	L583-196
51	1 1/4" Faceplate Tab	L583-426
52	Case Cover Screws	L583-454
53	Cylinder Retainer Screw	L583-481
54	Lock Handing Screw	L583-485
55	Cylinder Retainer	L583-490
56	Screw Plate	L583-492
58	Lock Case Cover	L583-496
60	Retractor Lever Assy	L283-147
61	Crank Retractor	L583-383
62	Bottom Hub	L583-386
63	Top Hub	L583-387
64	Retractor Catch	L583-345



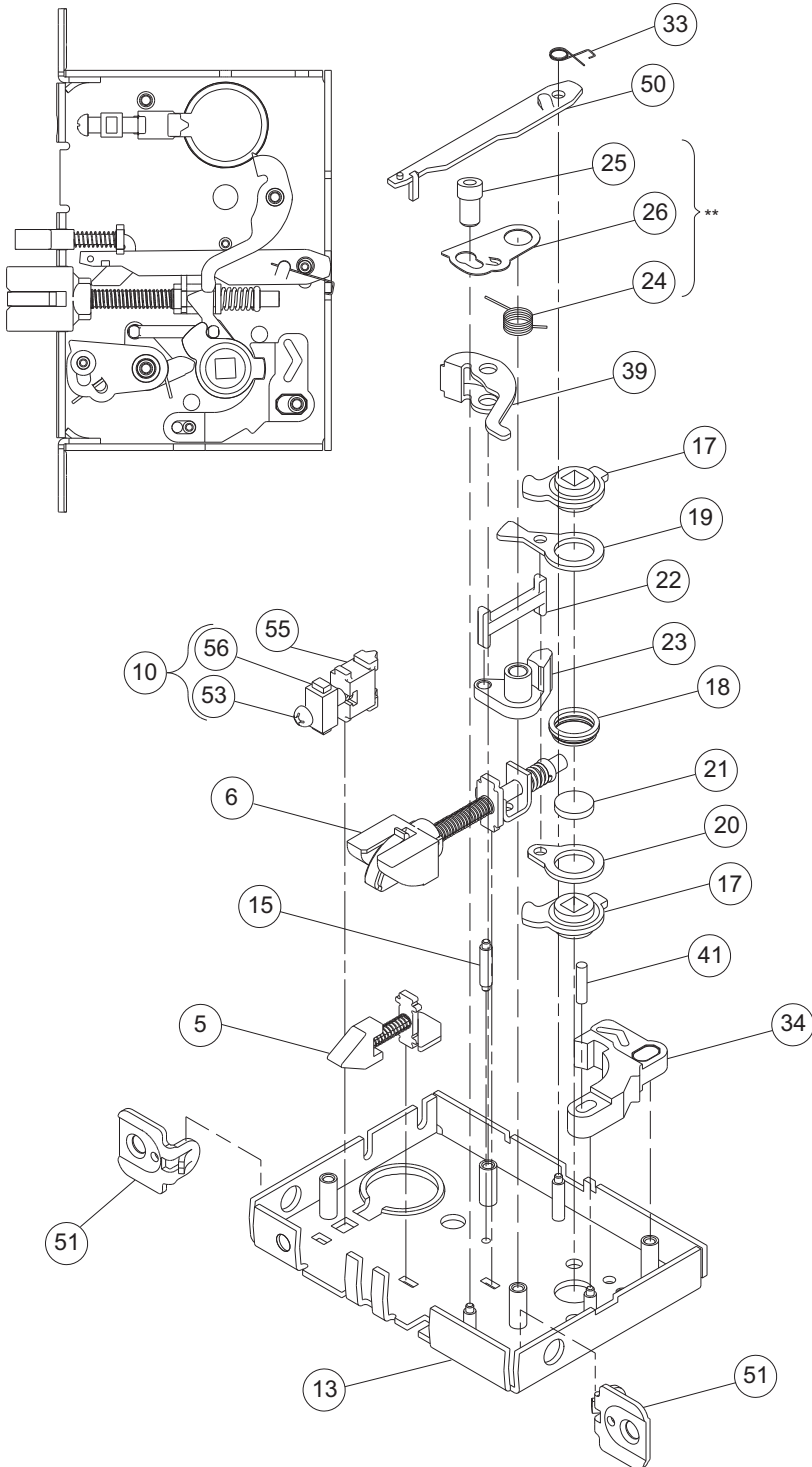
** See "Assembly of Lock Case Parts" on page 87.

NOTE: Lock case assembly shown for RH and RHR doors. See page 118 for instructions on changing the lock hand.

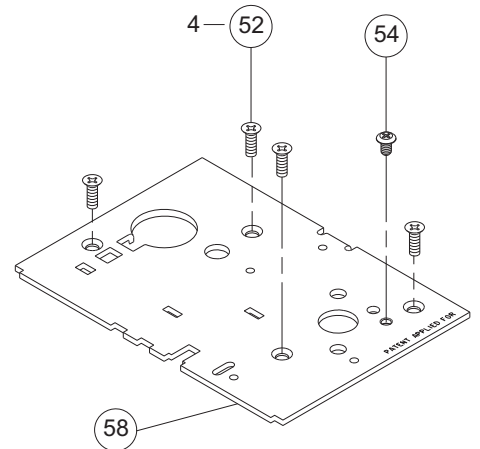
Lock Case Assemblies

L9080

Assembled Lock Case L283-134



Number	Description	Part Number
5	Auxiliary Latchbolt	L283-006
6	Latchbolt	L283-008
10	Cylinder Plate & Screw	L283-055
13	L9000 Lock Case	L283-112
15	Standoff Post	L583-004
17	Retractor Hub	L583-019
18	Hub Spacer	L583-020
19	Retractor Lever	L583-021
20	Retractor Rocker	L583-022
21	Blocking Plate	L583-023
22	Retractor Link	L583-024
23	Retractor Crank	L583-025
24	Hub Spring	L583-026
25	Fire Door Fuse	L583-027
26	Fire Door Catch	L583-028
33	Stop Spring	L583-044
34	Locking Catch	L583-045
39	Transfer Lever	L583-051
41	Catch Pin	L583-056
50	Auxiliary Stop	L583-196
51	1 1/4" Faceplate Tab	L583-426
52	Case Cover Screws	L583-454
53	Cylinder Retainer Screw	L583-481
54	Lock Handing Screw	L583-485
55	Cylinder Retainer	L583-490
56	Screw Plate	L583-492
58	Lock Case Cover	L583-496



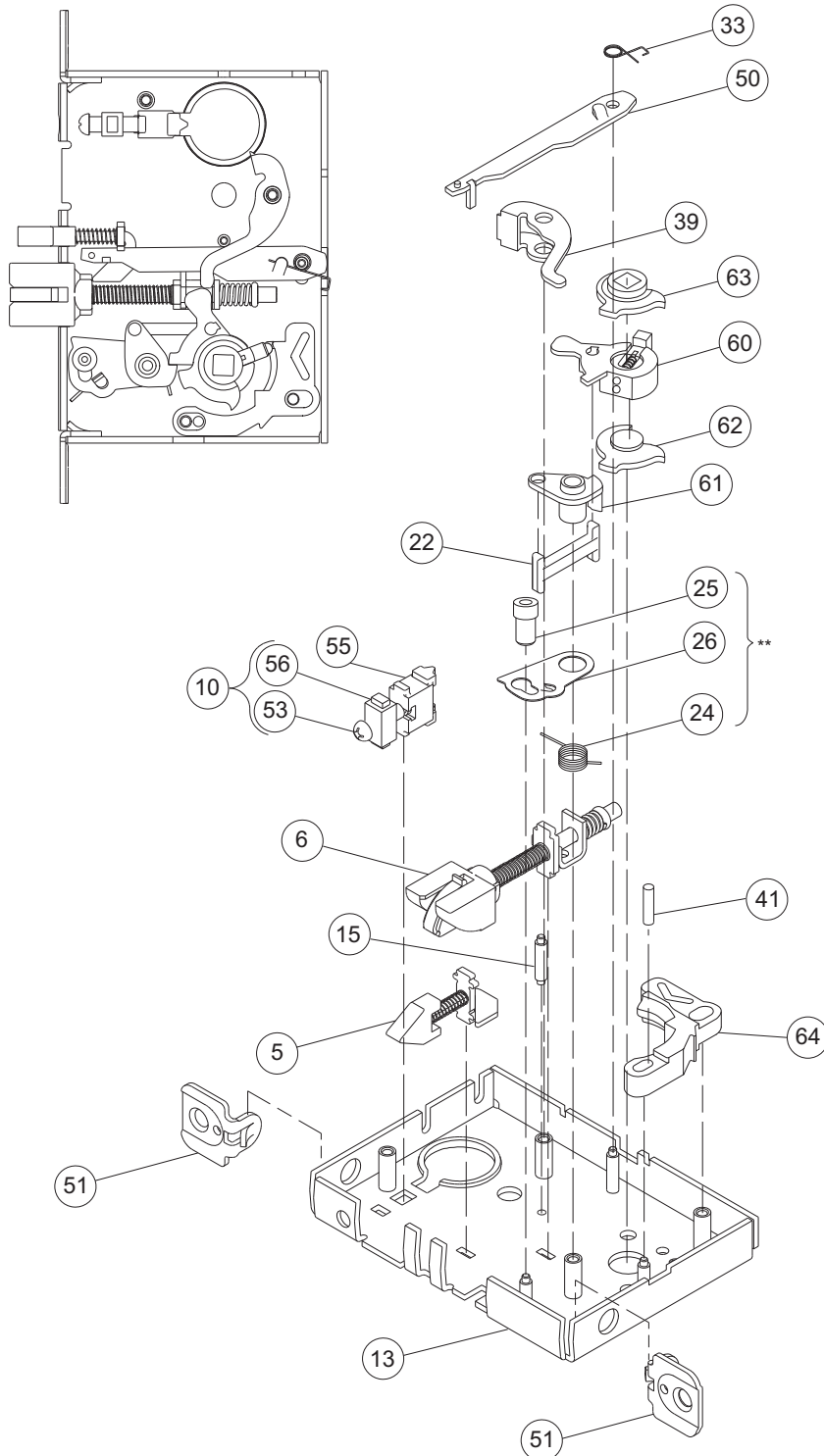
** See "Assembly of Lock Case Parts" on page 87.

NOTE: Lock case assembly shown for LH and LHR doors. See page 118 for instructions on changing the lock hand.

Lock Case Assemblies

LV9080

Assembled Lock Case L283-173



Number	Description	Part Number
5	Auxiliary Latchbolt	L283-006
6	Latchbolt	L283-008
10	Cylinder Plate & Screw	L283-055
13	L9000 Lock Case	L283-112
15	Standoff Post	L583-004
22	Retractor Link	L583-024
24	Hub Spring	L583-026
25	Fire Door Fuse	L583-027
26	Fire Door Catch	L583-028
33	Stop Spring	L583-044
39	Transfer Lever	L583-051
41	Catch Pin	L583-056
50	Auxiliary Stop	L583-196
51	1 1/4" Faceplate Tab	L583-426
52	Case Cover Screws	L583-454
53	Cylinder Retainer Screw	L583-481
54	Lock Handing Screw	L583-485
55	Cylinder Retainer	L583-490
56	Screw Plate	L583-492
58	Lock Case Cover	L583-496
60	Retractor Lever Assy	L583-147
61	Crank Retractor	L583-383
62	Bottom Hub	L583-386
63	Top Hub	L583-387
64	Retractor Catch	L583-345

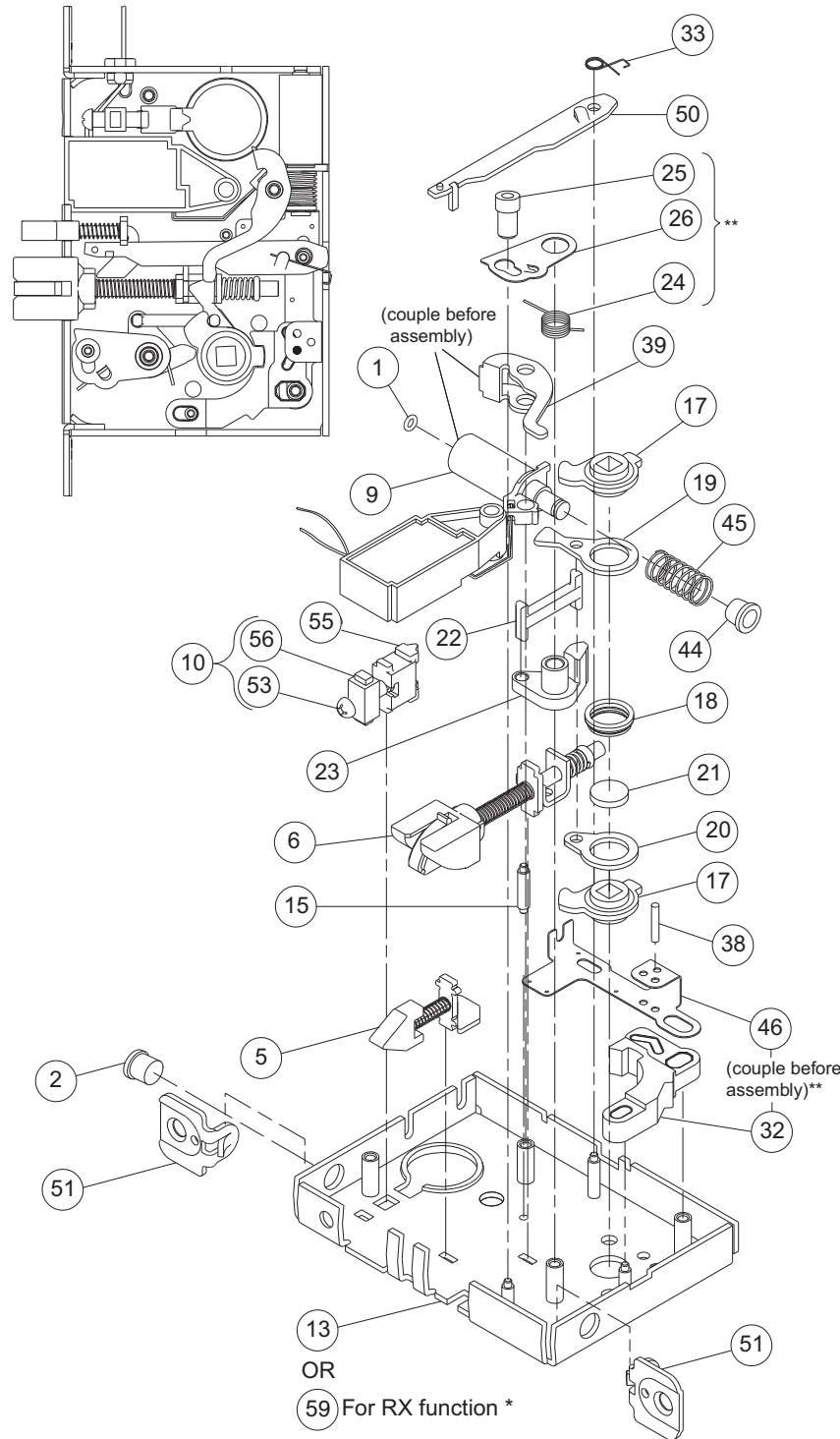
** See "Assembly of Lock Case Parts" on page 87.

NOTE: Lock case assembly shown for RH and RHR doors. See page 118 for instructions on changing the lock hand.

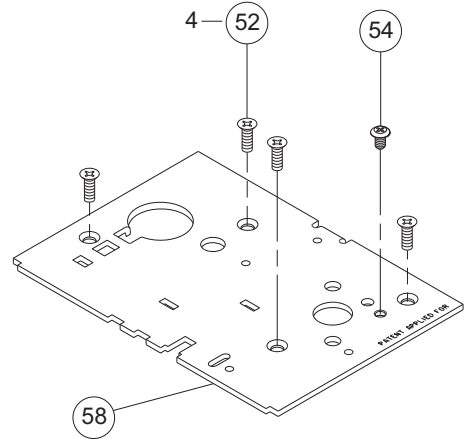
Lock Case Assemblies

L9080EL, L9080EL-RX

Assembled Lock Case L283-142



Number	Description	Part Number
1	Lock O-Ring	36-080
2	Lock Bushing	K510-842
5	Auxiliary Latchbolt	L283-006
6	Latchbolt	L283-008
9	Solenoid & Driver	L283-053
10	Cylinder Plate & Screw	L283-055
13	L9000 Lock Case	L283-112
15	Standoff Post	L583-004
17	Retractor Hub	L583-019
18	Hub Spacer	L583-020
19	Retractor Lever	L583-021
20	Retractor Rocker	L583-022
21	Blocking Plate	L583-023
22	Retractor Link	L583-024
23	Retractor Crank	L583-025
24	Hub Spring	L583-026
25	Fire Door Fuse	L583-027
26	Fire Door Catch	L583-028
32	Locking Catch	L583-043
33	Stop Spring	L583-044
38	Link Pin	L583-050
39	Transfer Lever	L583-051
44	Spring Retainer	L583-063
45	Solenoid Spring	L583-064
46	Electrified Link	L583-065
50	Auxiliary Stop	L583-196
51	1/4" Faceplate Tab	L583-426
52	Case Cover Screws	L583-454
53	Cylinder Retainer Screw	L583-481
54	Lock Handing Screw	L583-485
55	Cylinder Retainer	L583-490
56	Screw Plate	L583-492
58	Lock Case Cover	L583-496
59	Lock Case with Microswitch*	n/a



* See "Request to Exit (RX) Feature" on page 116.

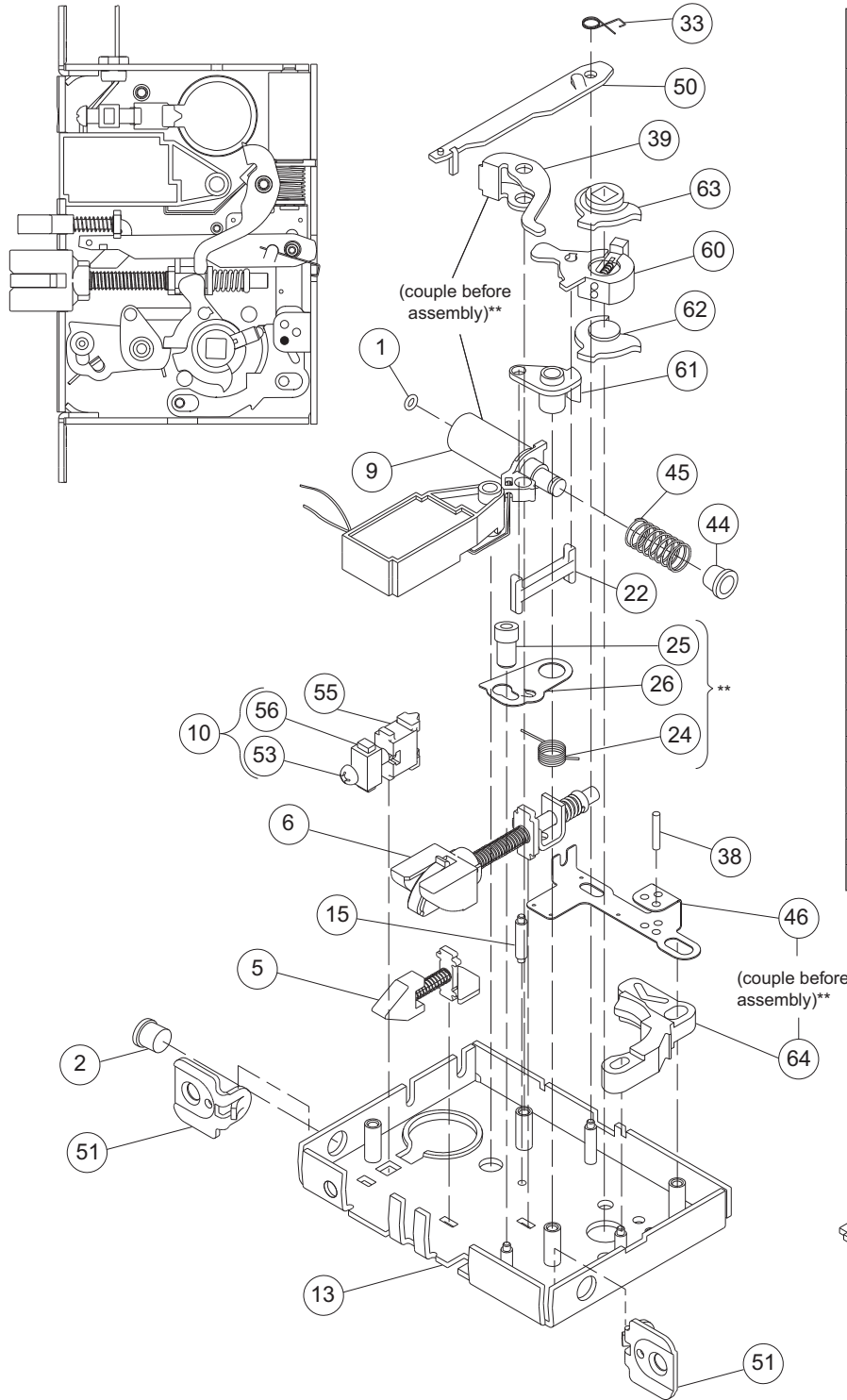
** See "Assembly of Lock Case Parts" on page 87.

NOTE: Lock case assembly shown for LH and LHR doors. See page 118 for instructions on changing the lock hand.

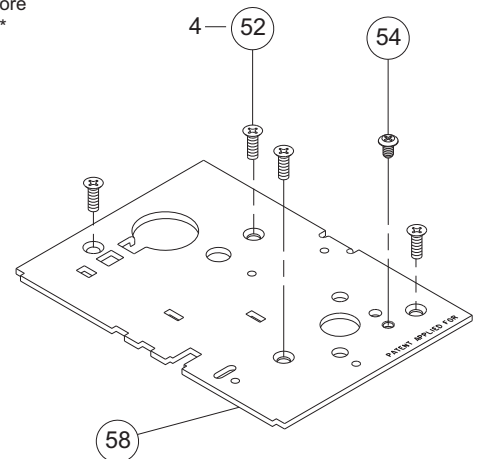
Lock Case Assemblies

LV9080EL

Assembled Lock Case L283-174



Number	Description	Part Number
1	EL Lock O-Ring	36-080
2	EL Lock Bushing	K510-842
5	Auxiliary Latchbolt	L283-006
6	Latchbolt	L283-008
9	Solenoid & Driver	L283-053
10	Cylinder Plate & Screw	L283-055
13	L9000 Lock Case	L283-112
15	Standoff Post	L583-004
22	Retractor Link	L583-024
24	Hub Spring	L583-026
25	Fire Door Fuse	L583-027
26	Fire Door Catch	L583-028
33	Stop Spring	L583-044
38	Link Pin	L583-050
39	Transfer Lever	L583-051
44	Spring Retainer	L583-063
45	Solenoid Spring	L583-064
46	Electrified Link	L583-065
50	Auxiliary Stop	L583-196
51	1 1/4" Faceplate Tab	L583-426
52	Case Cover Screws	L583-454
53	Cylinder Retainer Screw	L583-481
54	Lock Handing Screw	L583-485
55	Cylinder Retainer	L583-490
56	Screw Plate	L583-492
58	Lock Case Cover	L583-496
60	Retractor Lever Assy	L283-147
61	Crank Retractor	L583-383
62	Bottom Hub	L583-386
63	Top Hub	L583-387
64	Retractor Catch	L583-345



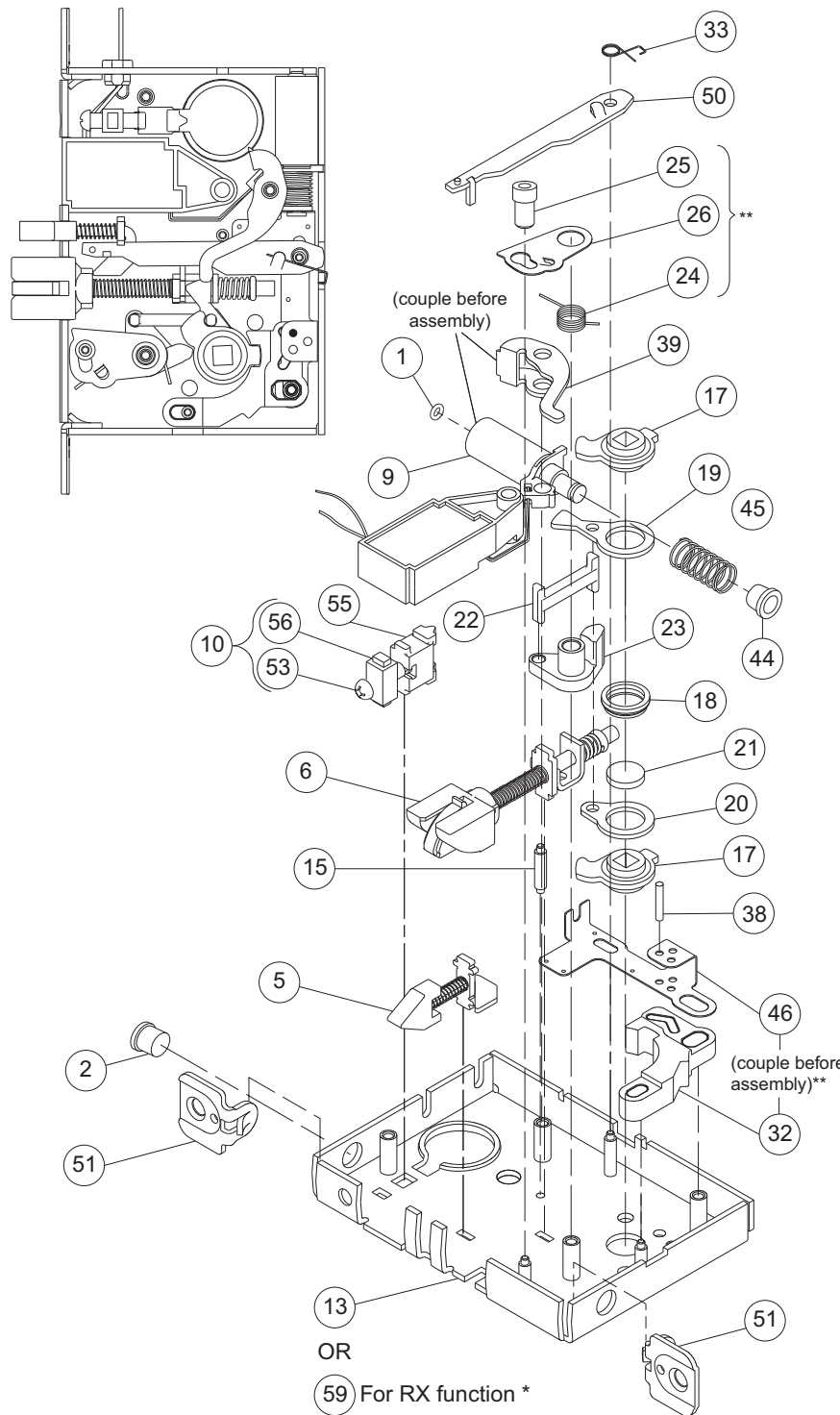
** See "Assembly of Lock Case Parts" on page 87.

NOTE: Lock case assembly shown for RH and RHR doors. See page 118 for instructions on changing the lock hand.

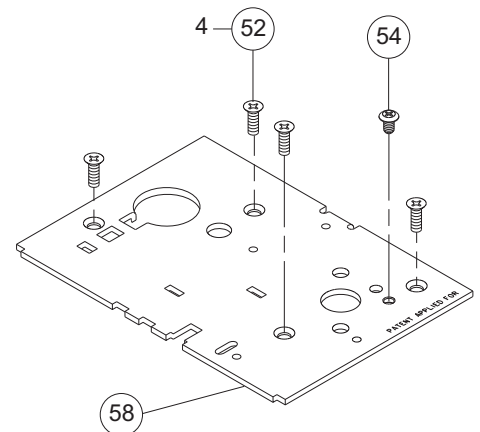
Lock Case Assemblies

L9080EU, L9080EU-RX

Assembled Lock Case L283-143



Number	Description	Part Number
1	Lock O-Ring	36-080
2	Lock Bushing	K510-842
5	Auxiliary Latchbolt	L283-006
6	Latchbolt	L283-008
9	Solenoid & Driver	L283-053
10	Cylinder Plate & Screw	L283-055
13	L9000 Lock Case	L283-112
15	Standoff Post	L583-004
17	Retractor Hub	L583-019
18	Hub Spacer	L583-020
19	Retractor Lever	L583-021
20	Retractor Rocker	L583-022
21	Blocking Plate	L583-023
22	Retractor Link	L583-024
23	Retractor Crank	L583-025
24	Hub Spring	L583-026
25	Fire Door Fuse	L583-027
26	Fire Door Catch	L583-028
32	Locking Catch	L583-043
33	Stop Spring	L583-044
38	Link Pin	L583-050
39	Transfer Lever	L583-051
44	Spring Retainer	L583-063
45	Solenoid Spring	L583-064
46	Electrified Link	L583-065
50	Auxiliary Stop	L583-196
51	1 1/4" Faceplate Tab	L583-426
52	Case Cover Screws	L583-454
53	Cylinder Retainer Screw	L583-481
54	Lock Handing Screw	L583-485
55	Cylinder Retainer	L583-490
56	Screw Plate	L583-492
58	Lock Case Cover	L583-496
59	Lock Case with Microswitch*	n/a



* See "Request to Exit (RX) Feature" on page 116.

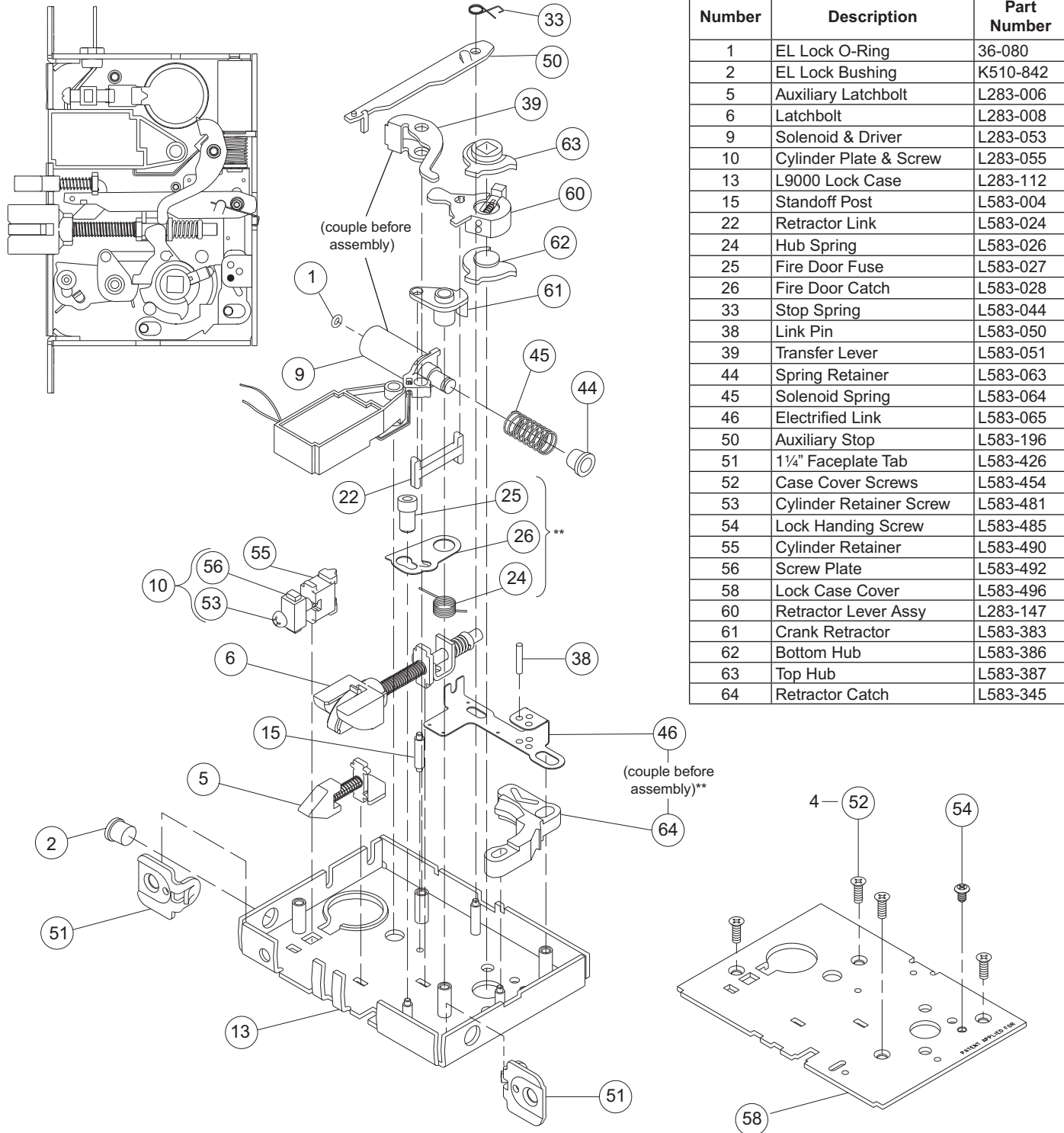
** See "Assembly of Lock Case Parts" on page 87.

NOTE: Lock case assembly shown for LH and LHR doors. See page 118 for instructions on changing the lock hand.

Lock Case Assemblies

LV9080EU

Assembled Lock Case L283-175



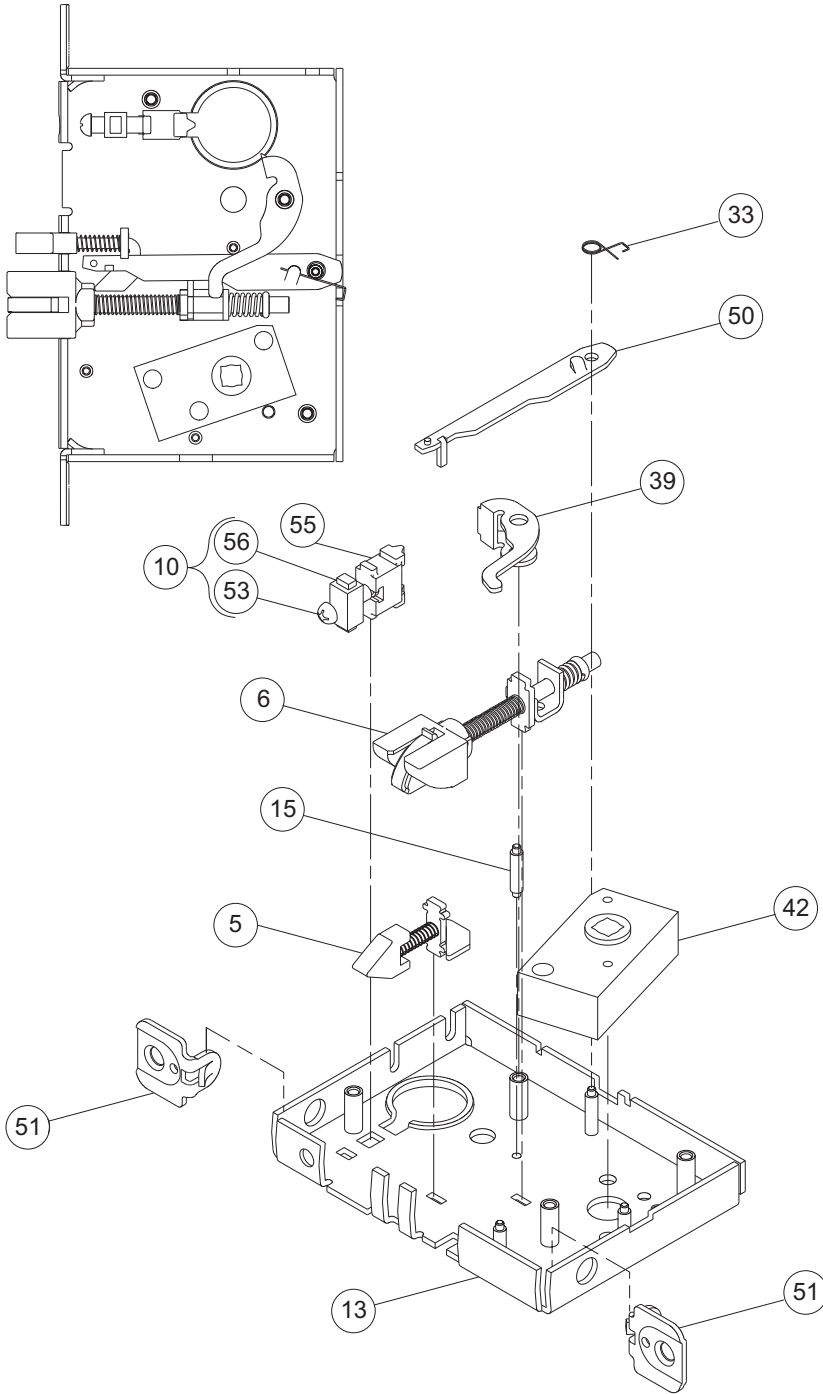
** See "Assembly of Lock Case Parts" on page 87.

NOTE: Lock case assembly shown for RH and RHR doors. See page 118 for instructions on changing the lock hand.

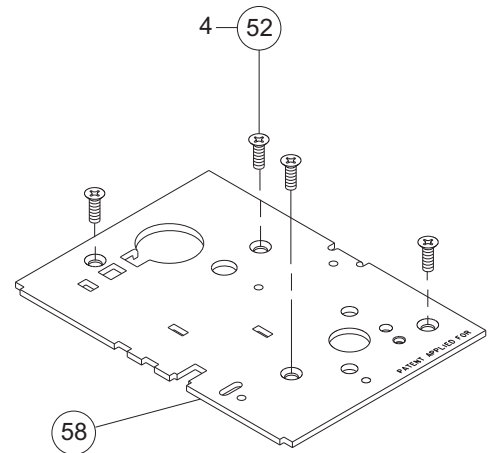
Lock Case Assemblies

L9082

Assembled Lock Case L283-146



Number	Description	Part Number
5	Auxiliary Latchbolt	L283-006
6	Latchbolt	L283-008
10	Cylinder Plate & Screw	L283-055
13	L9000 Lock Case	L283-112
15	Standoff Post	L583-004
33	Stop Spring	L583-044
39	Transfer Lever	L583-051
42	Spindle Anchor	L583-057
50	Auxiliary Stop	L583-196
51	1 1/4" Faceplate Tab	L583-426
52	Case Cover Screws	L583-454
53	Cylinder Retainer Screw	L583-481
55	Cylinder Retainer	L583-490
56	Screw Plate	L583-492
58	Lock Case Cover	L583-496

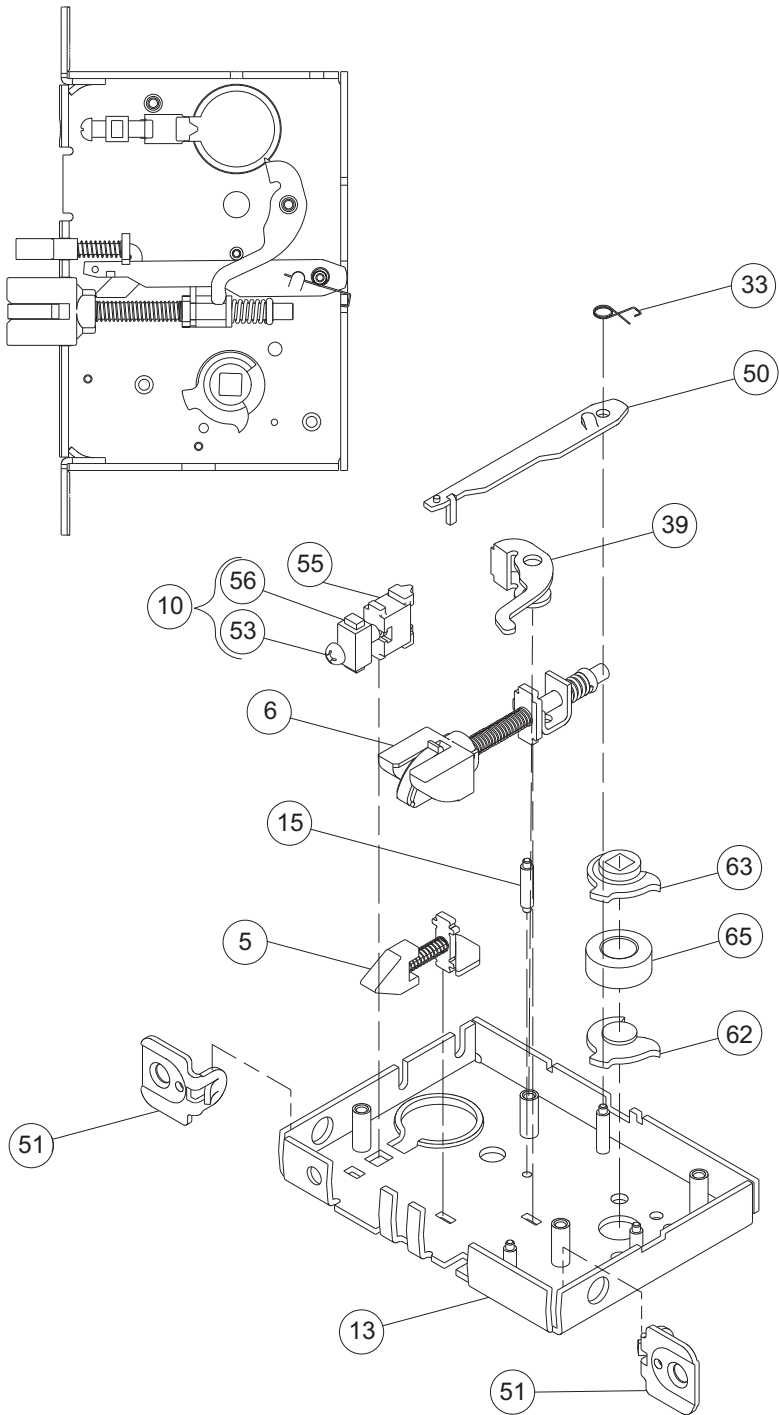


NOTE: Lock case assembly shown for LH and LHR doors.

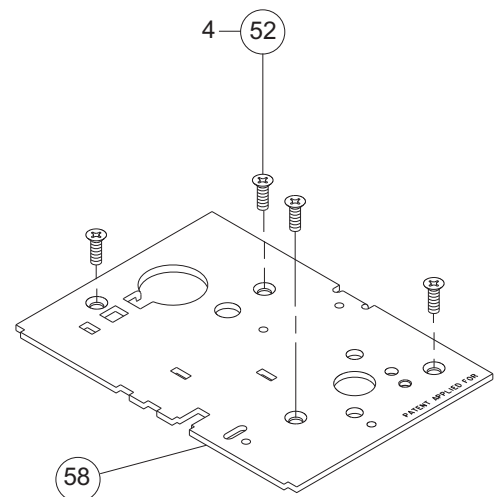
Lock Case Assemblies

LV9082

Assembled Lock Case L283-182



Number	Description	Part Number
5	Auxiliary Latchbolt	L283-006
6	Latchbolt	L283-008
10	Cylinder Plate & Screw	L283-055
13	L9000 Lock Case	L283-112
15	Standoff Post	L583-004
33	Stop Spring	L583-044
39	Transfer Lever	L583-051
50	Auxiliary Stop	L583-196
51	1 1/4" Faceplate Tab	L583-426
52	Case Cover Screws	L583-454
53	Cylinder Retainer Screw	L583-481
55	Cylinder Retainer	L583-490
56	Screw Plate	L583-492
58	Lock Case Cover	L583-496
62	Bottom Hub	L583-386
63	Top Hub	L583-387
65	Spacer	L583-346

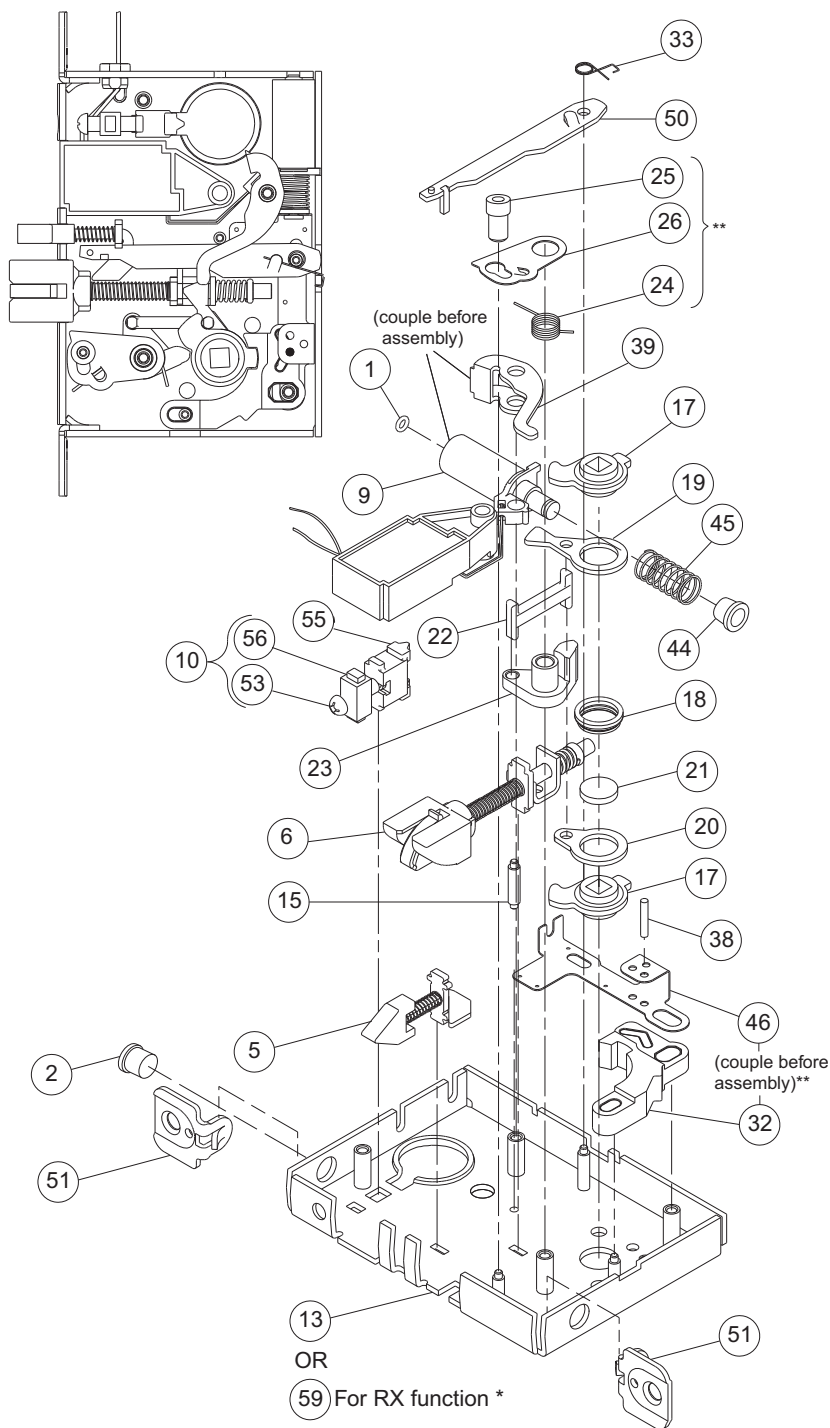


NOTE: Lock case assembly shown for RH and RHR doors.

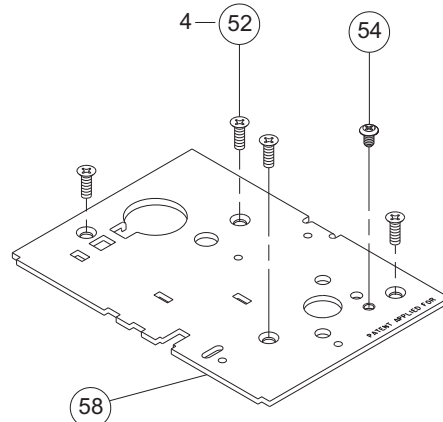
Lock Case Assemblies

L9082EL

Assembled Lock Case L283-085



Number	Description	Part Number
1	Lock O-Ring	36-080
2	Lock Bushing	K510-842
5	Auxiliary Latchbolt	L283-006
6	Latchbolt	L283-008
9	Solenoid & Driver	L583-053
10	Cylinder Plate & Screw	L283-055
13	L9000 Lock Case	L283-112
15	Standoff Post	L583-004
17	Retractor Hub	L583-019
18	Hub Spacer	L583-020
19	Retractor Lever	L583-021
20	Retractor Rocker	L583-022
22	Retractor Link	L583-024
23	Retractor Crank	L583-025
24	Hub Spring	L583-026
25	Fire Door Fuse	L583-027
26	Fire Door Catch	L583-028
32	Locking Catch	L583-043
33	Stop Spring	L583-044
38	Link Pin	L583-050
39	Transfer Lever	L583-051
44	Spring Retainer	L583-063
45	Solenoid Spring	L583-064
46	Electrified Link	L583-065
50	Auxiliary Stop	L583-196
51	1/4" Faceplate Tab	L583-426
52	Case Cover Screws	L583-454
53	Cylinder Retainer Screw	L583-481
54	Lock Handing Screw	L583-485
55	Cylinder Retainer	L583-490
56	Screw Plate	L583-492
58	Lock Case Cover	L583-496
59	Lock Case w/Microswitch	n/a



* See "Request to Exit (RX) Feature" on page 116.

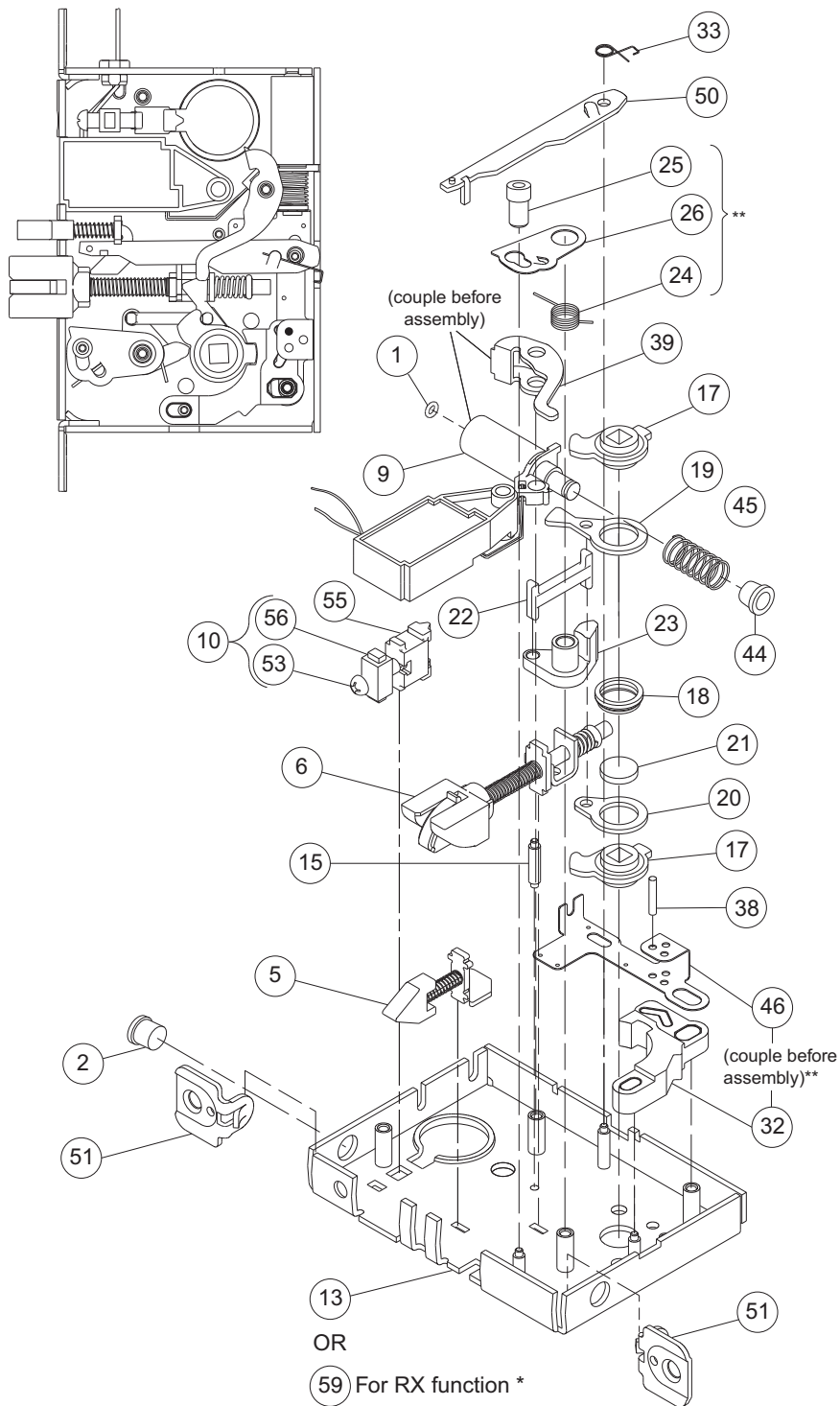
** See "Assembly of Lock Case Parts" on page 87.

NOTE: Lock case assembly shown for LH and LHR doors. See page 118 for instructions on changing the lock hand.

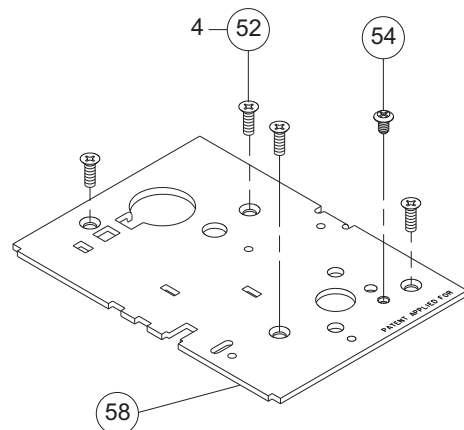
Lock Case Assemblies

L9082EU

Assembled Lock Case L283-086



Number	Description	Part Number
1	Lock O-Ring	36-080
2	Lock Bushing	K510-842
5	Auxiliary Latchbolt	L283-006
6	Latchbolt	L283-008
9	Solenoid & Driver	L583-053
10	Cylinder Plate & Screw	L283-055
13	L9000 Lock Case	L283-112
15	Standoff Post	L583-004
17	Retractor Hub	L583-019
18	Hub Spacer	L583-020
19	Retractor Lever	L583-021
20	Retractor Rocker	L583-022
22	Retractor Link	L583-024
23	Retractor Crank	L583-025
24	Hub Spring	L583-026
25	Fire Door Fuse	L583-027
26	Fire Door Catch	L583-028
32	Locking Catch	L583-043
33	Stop Spring	L583-044
38	Link Pin	L583-050
39	Transfer Lever	L583-051
44	Spring Retainer	L583-063
45	Solenoid Spring	L583-064
46	Electrified Link	L583-065
50	Auxiliary Stop	L583-196
51	1/4" Faceplate Tab	L583-426
52	Case Cover Screws	L583-454
53	Cylinder Retainer Screw	L583-481
54	Lock Handing Screw	L583-485
55	Cylinder Retainer	L583-490
56	Screw Plate	L583-492
58	Lock Case Cover	L583-496
59	Lock Case w/Microswitch	n/a



* See "Request to Exit (RX) Feature" on page 116.

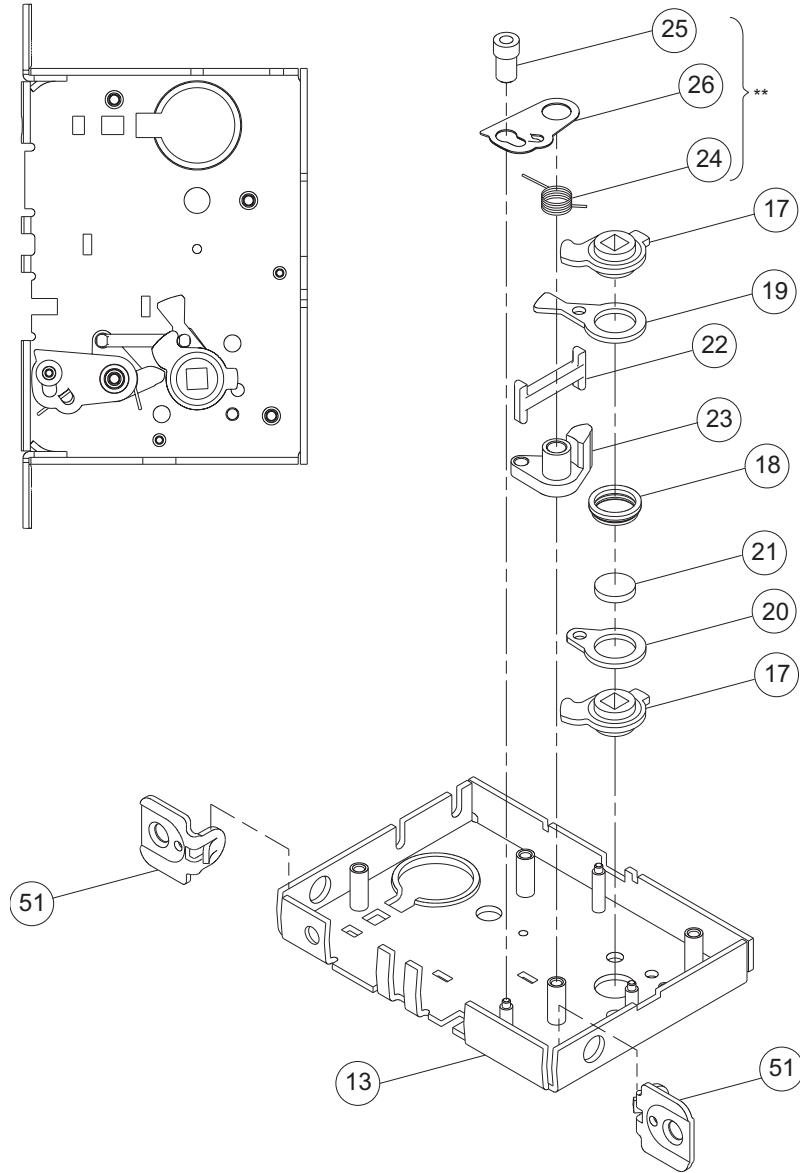
** See "Assembly of Lock Case Parts" on page 87.

NOTE: Lock case assembly shown for LH and LHR doors. See page 118 for instructions on changing the lock hand.

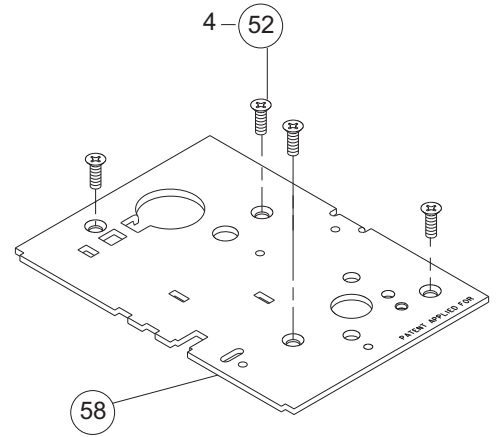
Lock Case Assemblies

L9110 x XL11-741

Assembled Lock Case XL11-741



Number	Description	Part Number
13	L9000 Lock Case	L283-112
17	Retractor Hub	L583-019
18	Hub Spacer	L583-020
19	Retractor Lever	L583-021
20	Retractor Rocker	L583-022
21	Blocking Plate	L583-023
22	Retractor Link	L583-024
23	Retractor Crank	L583-025
24	Hub Spring	L583-026
25	Fire Door Fuse	L583-027
26	Fire Door Catch	L583-028
51	1/4" Faceplate Tab	L583-426
52	Case Cover Screws	L583-454
58	Lock Case Cover	L583-496

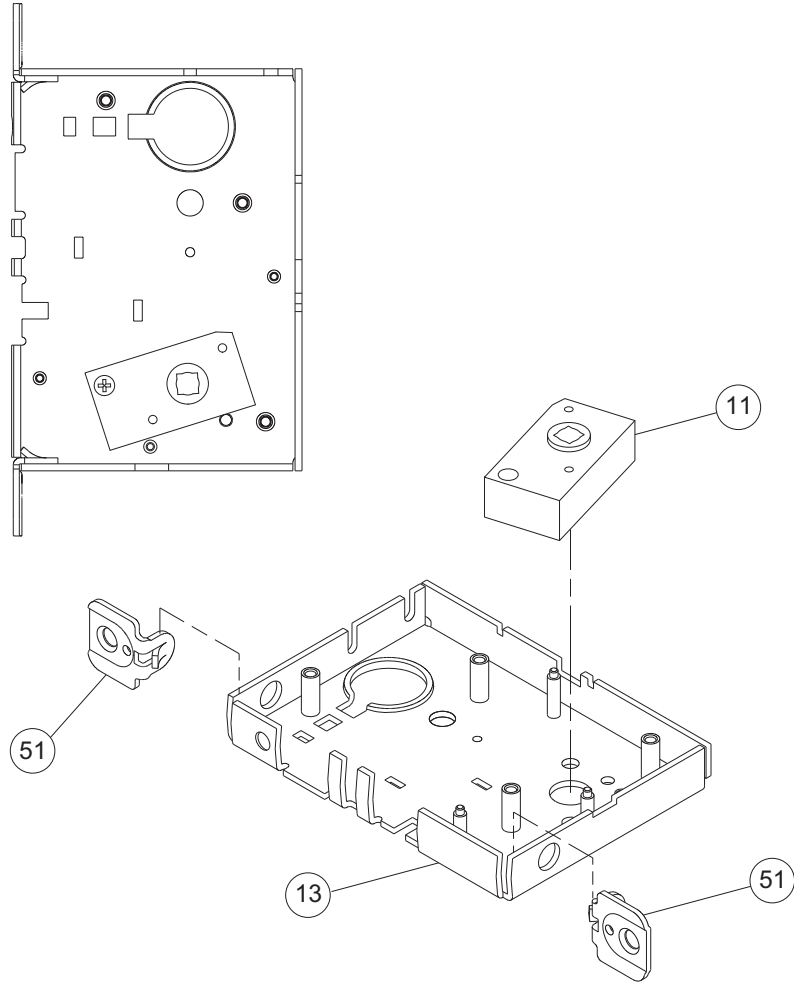


** See "Assembly of Lock Case Parts" on page 87.
 NOTE: Lock case assembly shown for LH and LHR doors.

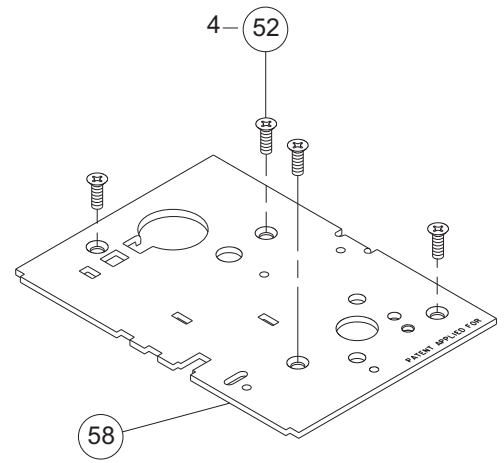
Lock Case Assemblies

L9175

Assembled Lock Case L283-144



Number	Description	Part Number
11	Spindle Anchor Single	L583-468
13	L9000 Lock Case	L283-112
51	1 1/4" Faceplate Tab	L583-426
52	Case Cover Screws	L583-454
58	Lock Case Cover	L583-496



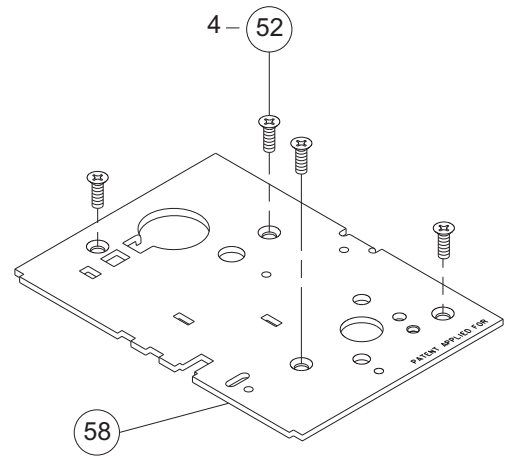
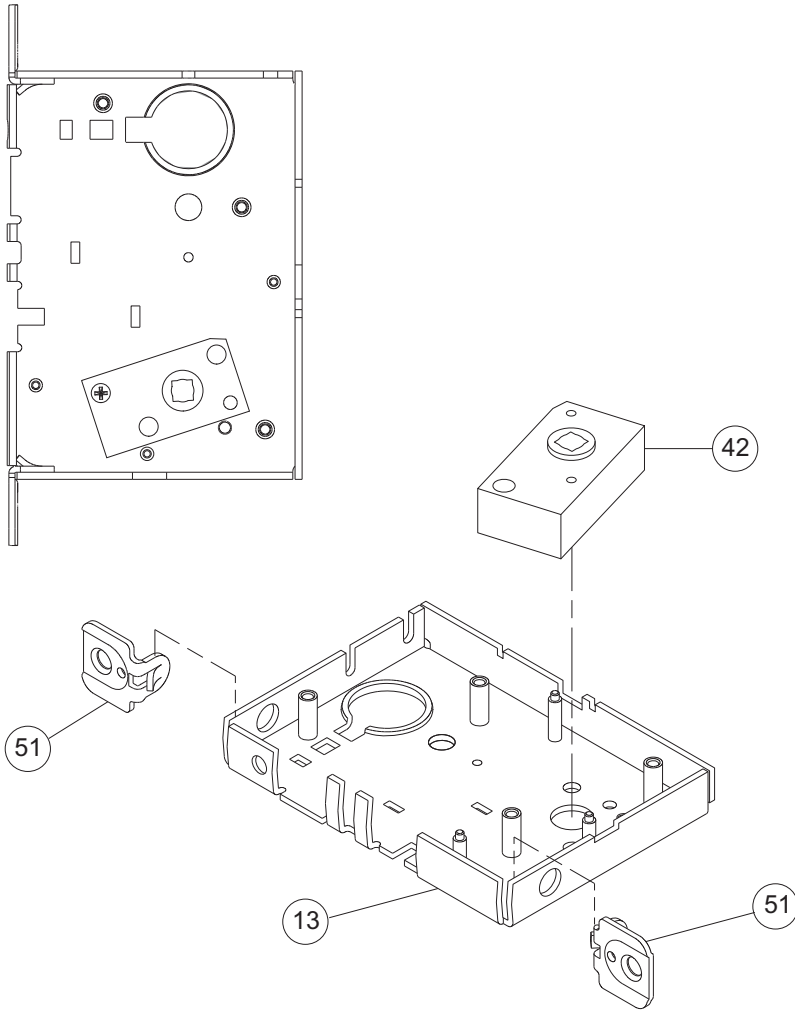
NOTE: Lock case assembly shown for LH and LHR doors.

Lock Case Assemblies

L9176

Assembled Lock Case L283-145

Number	Description	Part Number
13	L9000 Lock Case	L283-112
42	Spindle Anchor	L583-057
51	1 1/4" Faceplate Tab	L583-426
52	Case Cover Screws	L583-454
58	Lock Case Cover	L583-496

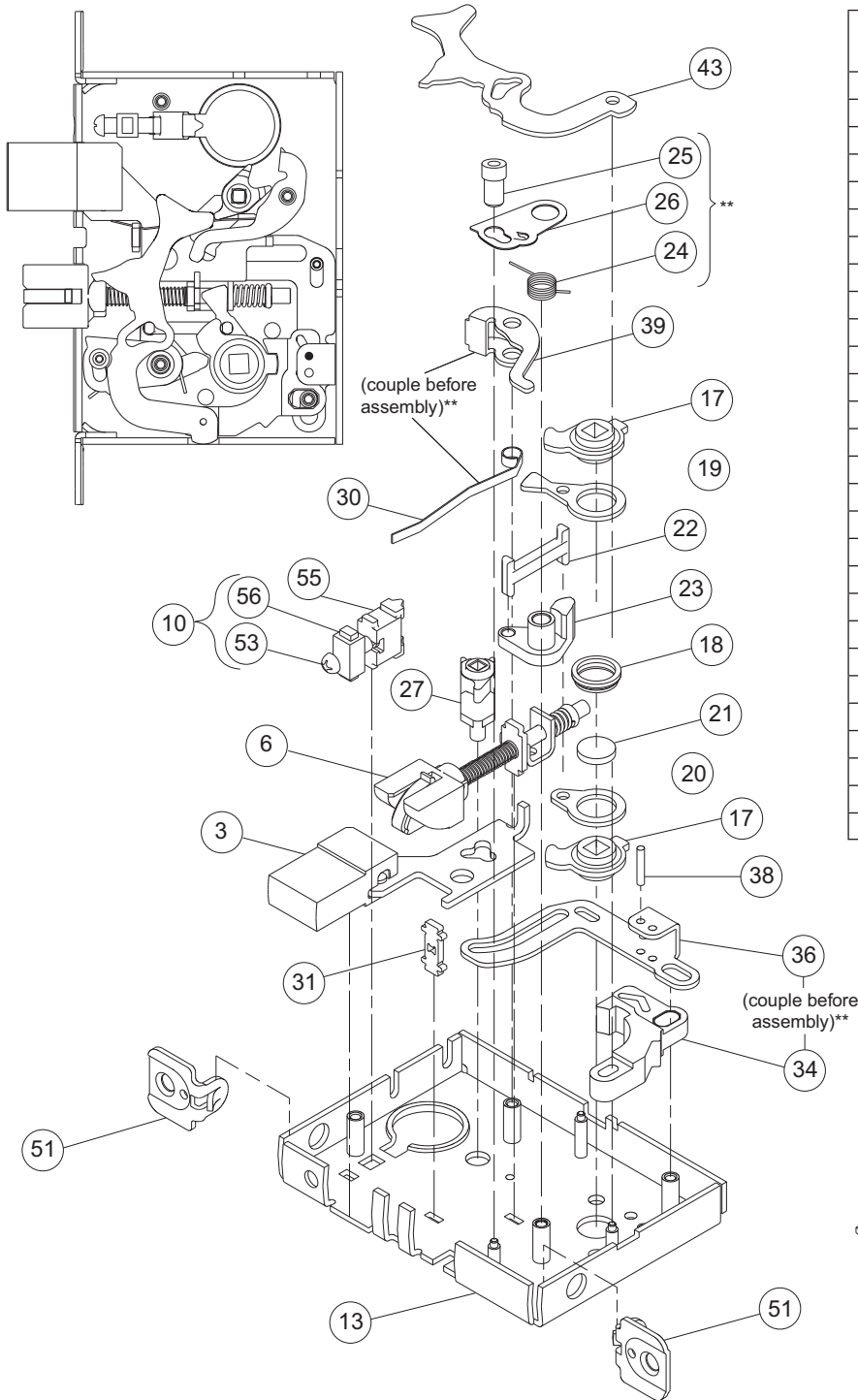


NOTE: Lock case assembly shown for LH and LHR doors.

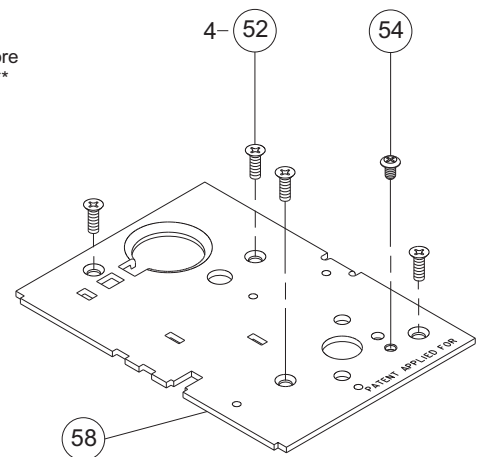
Lock Case Assemblies

L9440, L9444

Assembled Lock Case L283-062



Number	Description	Part Number
3	Deadbolt	L283-003
6	Latchbolt	L283-008
13	L9000 Lock Case	L283-112
17	Retractor Hub	L583-019
18	Hub Spacer	L583-020
19	Retractor Lever	L583-021
20	Retractor Rocker	L583-022
21	Blocking Plate	L583-023
22	Retractor Link	L583-024
23	Retractor Crank	L583-025
24	Hub Spring	L583-026
25	Fire Door Fuse	L583-027
26	Fire Door Catch	L583-028
27	Turn Hub	L583-029
30	Turn Hub Spring	L583-035
31	Auxiliary Bar Guide	L583-038
34	Locking Catch	L583-045
36	Locking Link	L583-048
38	Link Pin	L583-050
39	Transfer Lever	L583-051
43	Simultaneous Retractor	L583-058
51	1 1/4" Faceplate Tab	L583-426
52	Case Cover Screws	L583-454
53	Cylinder Retainer Screw	L583-481
54	Lock Handing Screw	L583-485
55	Cylinder Retainer	L583-490
56	Screw Plate	L583-492
58	Lock Case Cover	L583-496



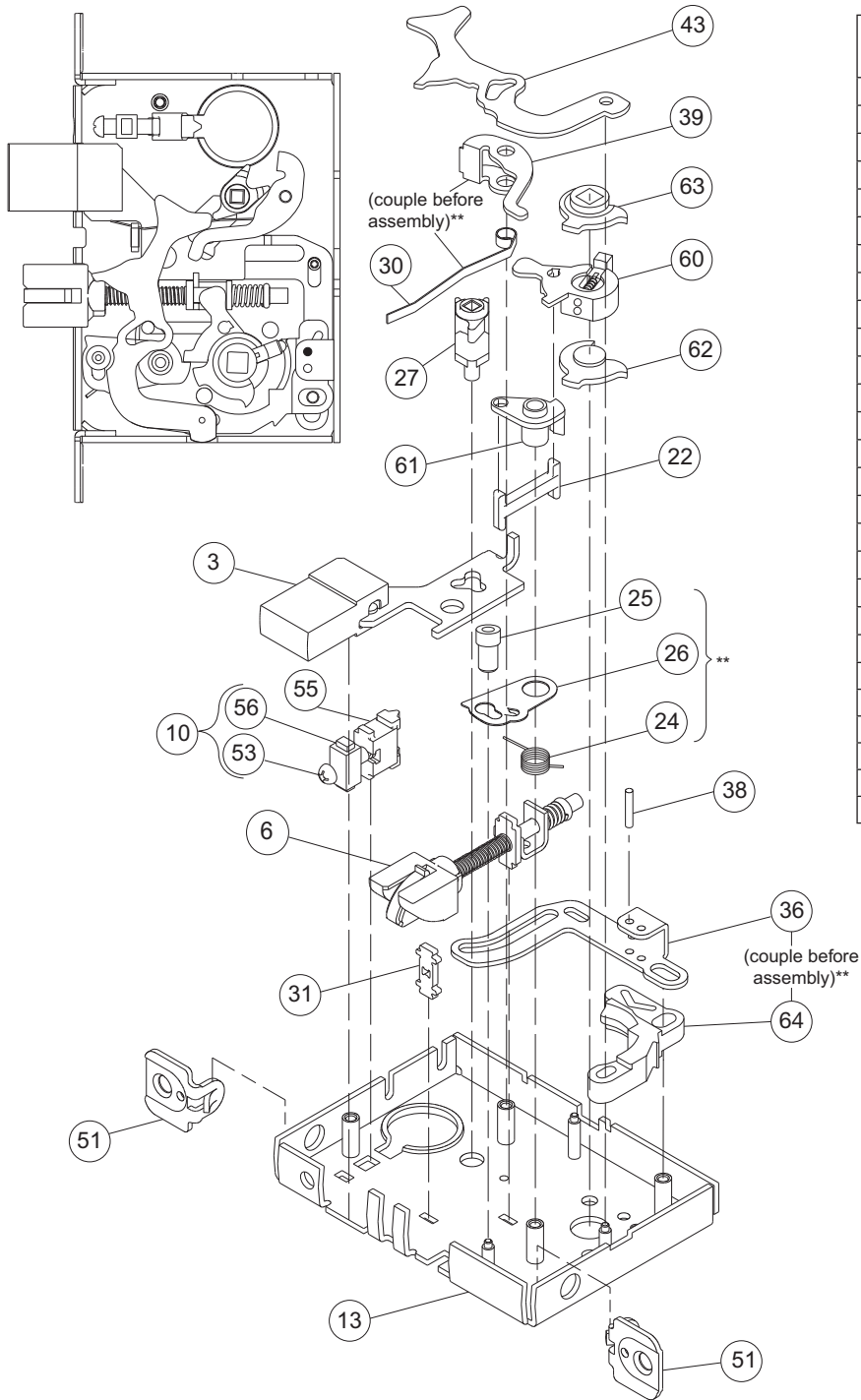
** See "Assembly of Lock Case Parts" on page 87.

NOTE: Lock case assembly shown for LH and LHR doors. See page 118 for instructions on changing the lock hand.

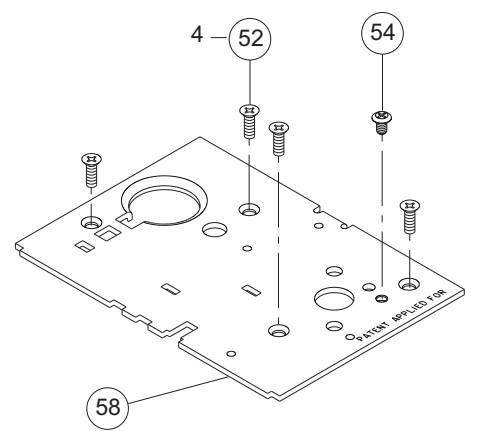
Lock Case Assemblies

LV9440, LV9444

Assembled Lock Case L283-181



Number	Description	Part Number
3	Deadbolt	L283-003
6	Latchbolt	L283-008
10	Cylinder Plate & Screw	L283-055
13	L9000 Lock Case	L283-112
22	Retractor Link	L583-024
24	Hub Spring	L583-026
25	Fire Door Fuse	L583-027
26	Fire Door Catch	L583-028
27	Turn Hub	L583-029
30	Turn Hub Spring	L583-035
31	Auxiliary Bar Guide	L583-038
36	Locking Link	L583-048
38	Link Pin	L583-050
39	Transfer Lever	L583-051
43	Simultaneous Retractor	L583-058
51	1 1/4" Faceplate Tab	L583-426
52	Case Cover Screws	L583-454
53	Cylinder Retainer Screw	L583-481
54	Lock Handing Screw	L583-485
55	Cylinder Retainer	L583-490
56	Screw Plate	L583-492
58	Lock Case Cover	L583-496
60	Retractor Lever Assy	L283-147
61	Crank Retractor	L583-383
62	Bottom Hub	L583-386
63	Top Hub	L583-387
64	Retractor Catch	L583-345

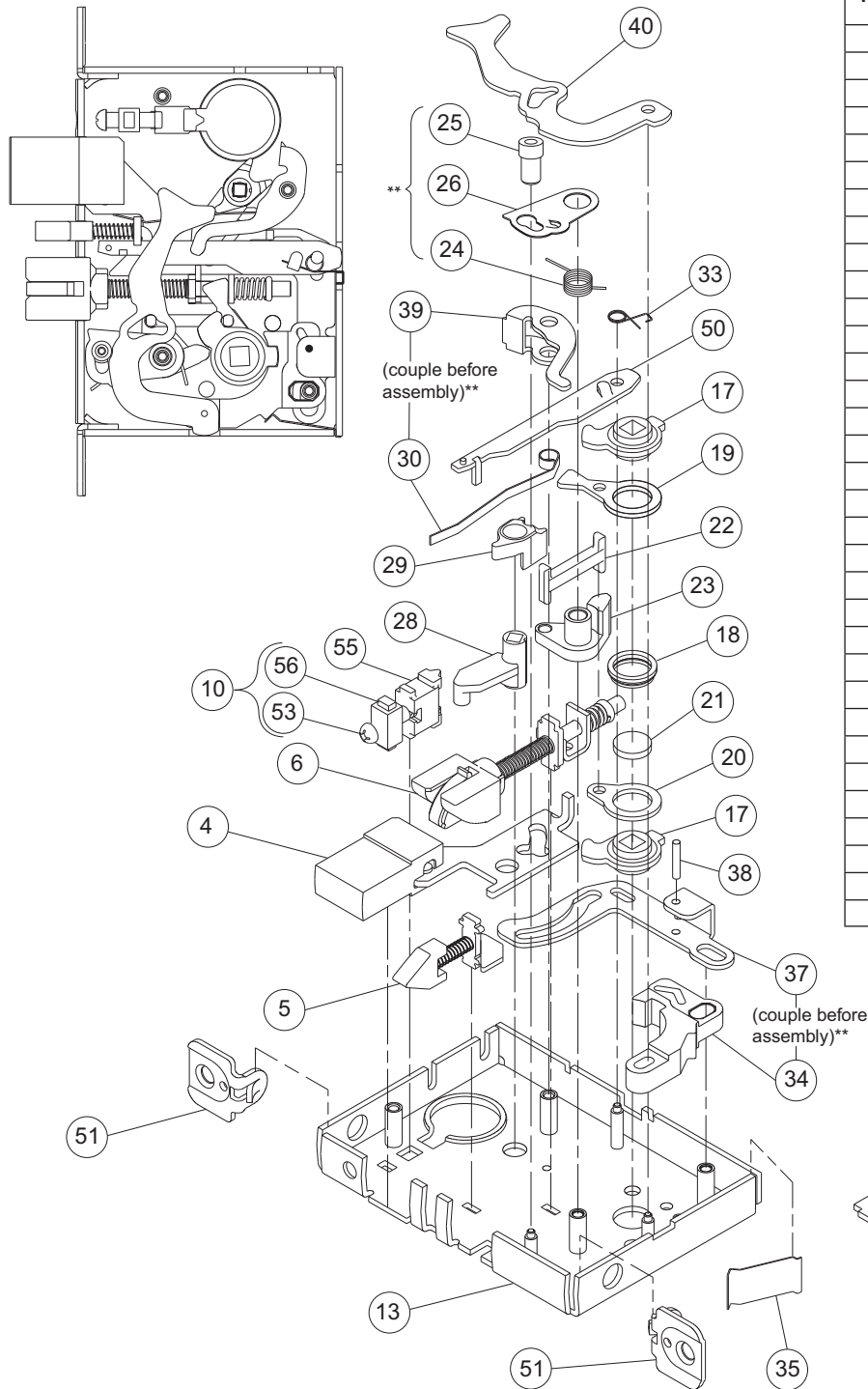


** See "Assembly of Lock Case Parts" on page 87.
 NOTE: Lock case assembly shown for RH and RHR doors. See page 118 for instructions on changing the lock hand.

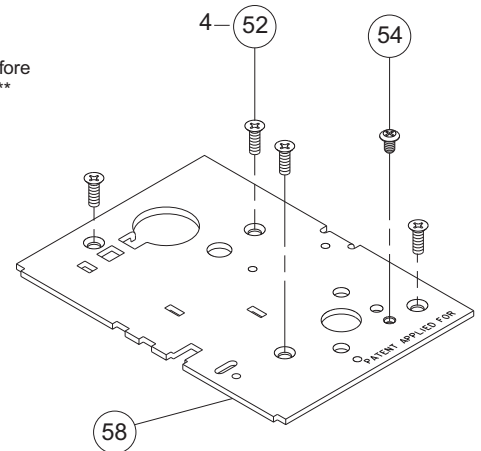
Lock Case Assemblies

L9453

Assembled Lock Case L283-137



Number	Description	Part Number
4	Entrance Deadbolt	L283-004
5	Auxiliary Latchbolt	L283-006
6	Latchbolt	L283-008
10	Cylinder Plate & Screw	L283-055
13	L9000 Lock Case	L283-112
17	Retractor Hub	L583-019
18	Hub Spacer	L583-020
19	Retractor Lever	L583-021
20	Retractor Rocker	L583-022
21	Blocking Plate	L583-023
22	Retractor Link	L583-024
23	Retractor Crank	L583-025
24	Hub Spring	L583-026
25	Fire Door Fuse	L583-027
26	Fire Door Catch	L583-028
28	Entrance Hub	L583-030
29	Cam Follower	L583-031
30	Turn Hub Spring	L583-035
33	Stop Spring	L583-044
34	Locking Catch	L583-045
35	Catch Spring	L583-047
37	Entrance Link	L583-049
38	Link Pin	L583-050
39	Transfer Lever	L583-051
40	Simultaneous Retractor	L583-053
50	Auxiliary Stop	L583-196
51	1 1/4" Faceplate Tab	L583-426
52	Case Cover Screws	L583-454
53	Cylinder Retainer Screw	L583-481
54	Lock Handing Screw	L583-485
55	Cylinder Retainer	L583-490
56	Screw Plate	L583-492
58	Lock Case Cover	L583-496



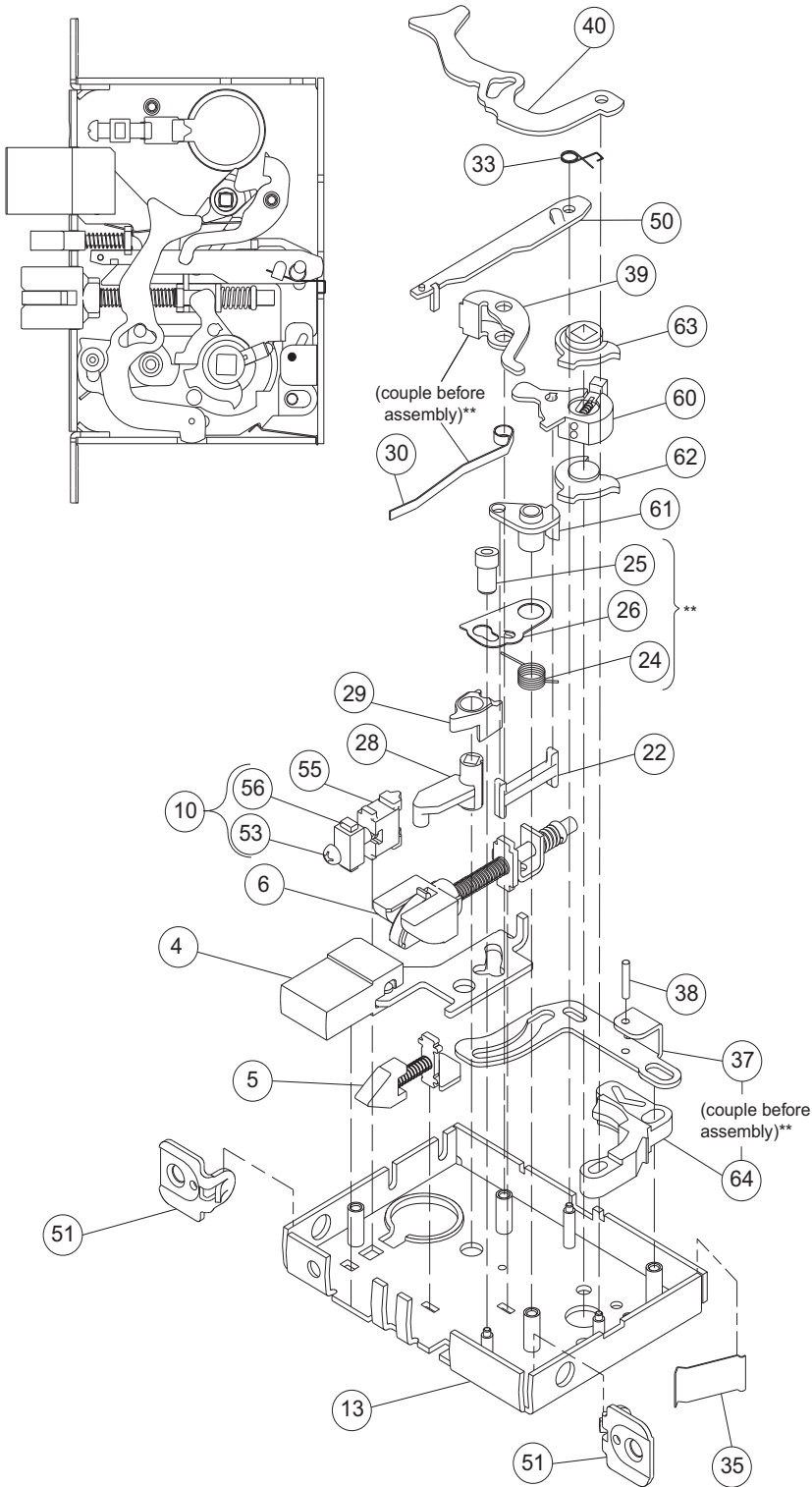
** See "Assembly of Lock Case Parts" on page 87.

NOTE: Lock case assembly shown for LH and LHR doors. See page 118 for instructions on changing the lock hand.

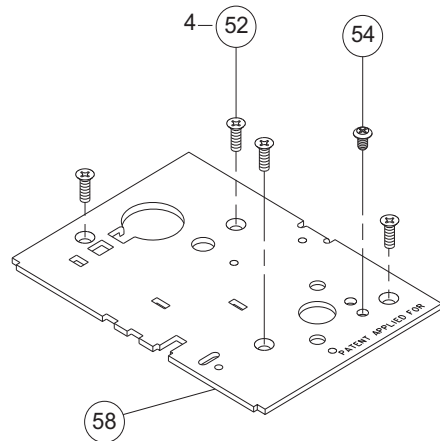
Lock Case Assemblies

LV9453

Assembled Lock Case L283-176



Number	Description	Part Number
4	Entrance Deadbolt	L283-004
5	Auxiliary Latchbolt	L283-006
6	Latchbolt	L283-008
10	Cylinder Plate & Screw	L283-055
13	L9000 Lock Case	L283-112
22	Retractor Link	L583-024
24	Hub Spring	L583-026
25	Fire Door Fuse	L583-027
26	Fire Door Catch	L583-028
28	Entrance Hub	L583-030
29	Cam Follower	L583-031
30	Turn Hub Spring	L583-035
33	Stop Spring	L583-044
35	Catch Spring	L583-047
37	Entrance Link	L583-049
38	Link Pin	L583-050
39	Transfer Lever	L583-051
40	Simultaneous Retractor	L583-053
50	Auxiliary Stop	L583-196
51	1 1/4" Faceplate Tab	L583-426
52	Case Cover Screws	L583-454
53	Cylinder Retainer Screw	L583-481
54	Lock Handing Screw	L583-485
55	Cylinder Retainer	L583-490
56	Screw Plate	L583-492
58	Lock Case Cover	L583-496
60	Retractor Lever Assy	L283-147
61	Crank Retractor	L583-383
62	Bottom Hub	L583-386
63	Top Hub	L583-387
64	Retractor Catch	L583-345



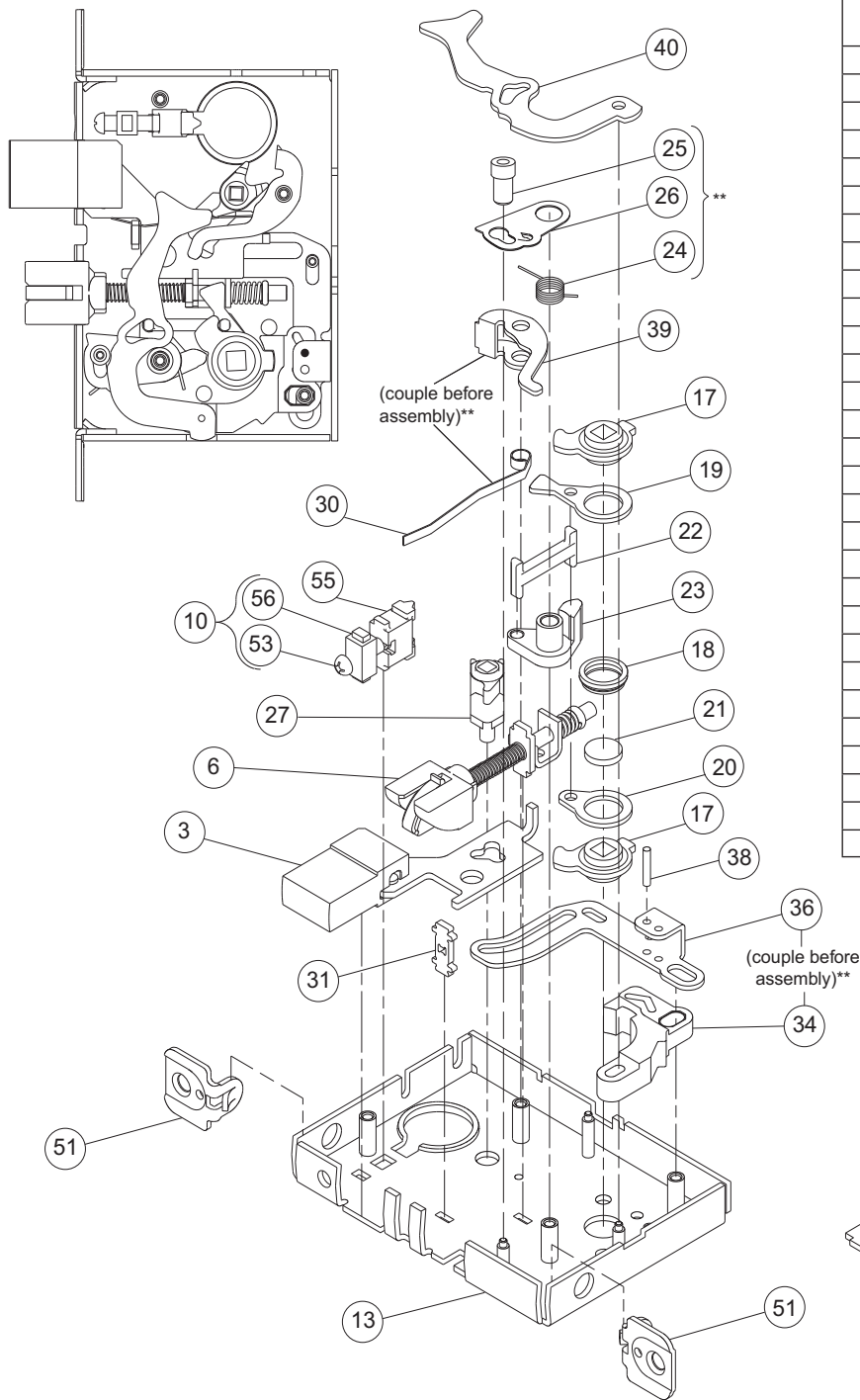
** See "Assembly of Lock Case Parts" on page 87.

NOTE: Lock case assembly shown for RH and RHR doors. See page 118 for instructions on changing the lock hand.

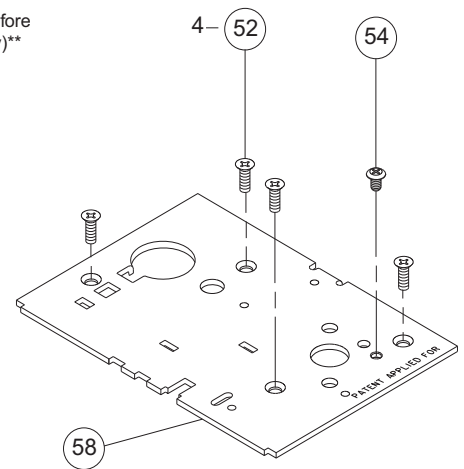
Lock Case Assemblies

L9456, L9457, L9496

Assembled Lock Case L283-138



Number	Description	Part Number
3	Deadbolt	L283-003
6	Latchbolt	L283-008
10	Cylinder Plate & Screw	L283-055
13	L9000 Lock Case	L283-112
17	Retractor Hub	L583-019
18	Hub Spacer	L583-020
19	Retractor Lever	L583-021
20	Retractor Rocker	L583-022
21	Blocking Plate	L583-023
22	Retractor Link	L583-024
23	Retractor Crank	L583-025
24	Hub Spring	L583-026
25	Fire Door Fuse	L583-027
26	Fire Door Catch	L583-028
27	Turn Hub	L583-029
30	Turn Hub Spring	L583-035
31	Auxiliary Bar Guide	L583-038
34	Locking Catch	L583-045
36	Locking Link	L583-048
38	Link Pin	L583-050
39	Transfer Lever	L583-051
40	Simultaneous Retractor	L583-053
51	1 1/4" Faceplate Tab	L583-426
52	Case Cover Screws	L583-454
53	Cylinder Retainer Screw	L583-481
54	Lock Handling Screw	L583-485
55	Cylinder Retainer	L583-490
56	Screw Plate	L583-492
58	Lock Case Cover	L583-496



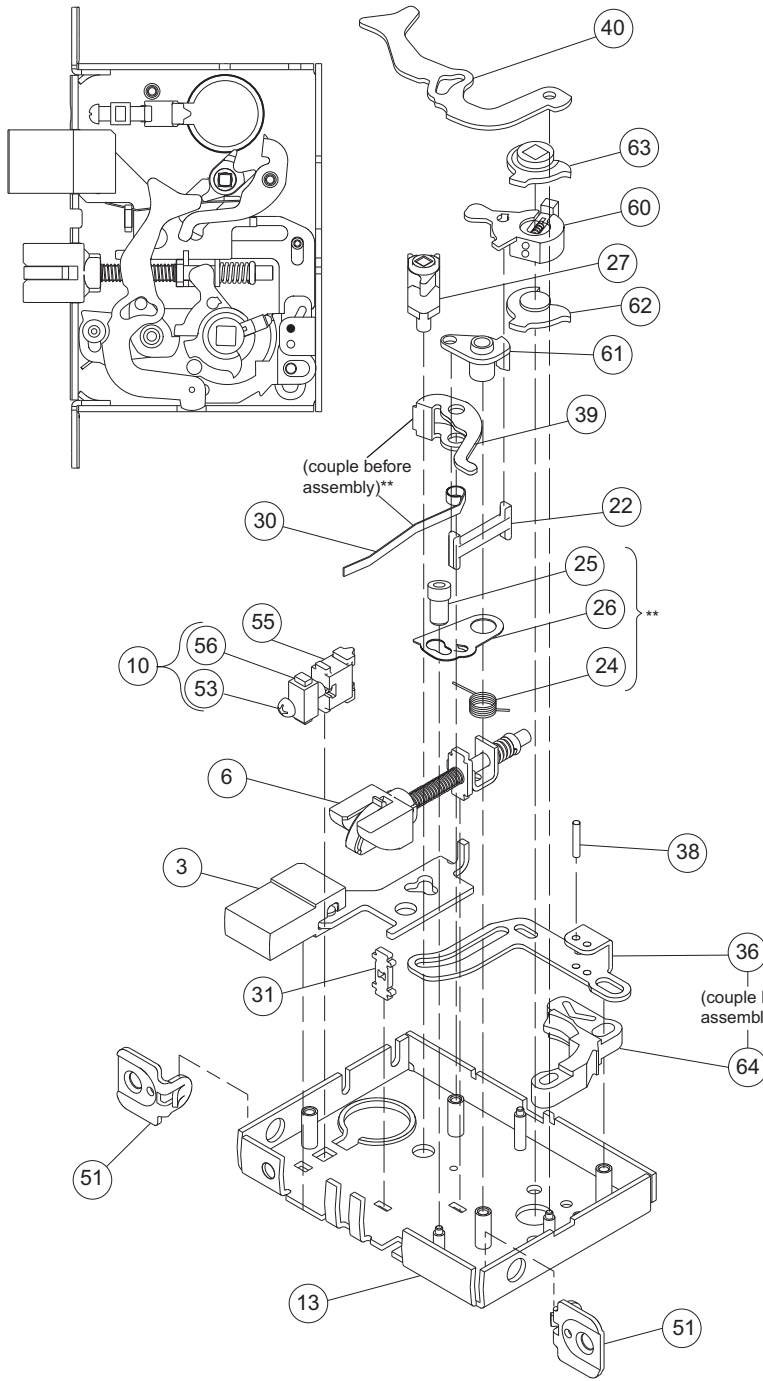
** See "Assembly of Lock Case Parts" on page 87.

NOTE: Lock case assembly shown for LH and LHR doors. See page 118 for instructions on changing the lock hand.

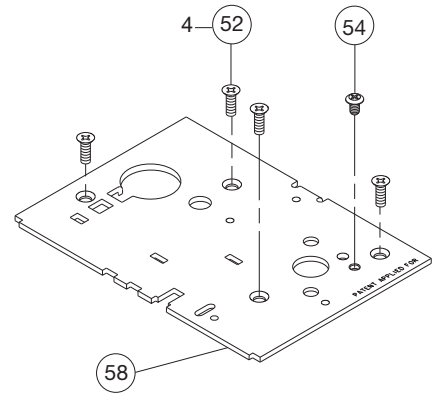
Lock Case Assemblies

LV9456, LV9457, LV9496

Assembled Lock Case L283-177



Number	Description	Part Number
3	Deadbolt	L283-003
6	Latchbolt	L283-008
10	Cylinder Plate & Screw	L283-055
13	L9000 Lock Case	L283-112
22	Retractor Link	L583-024
24	Hub Spring	L583-026
25	Fire Door Fuse	L583-027
26	Fire Door Catch	L583-028
27	Turn Hub	L583-029
30	Turn Hub Spring	L583-035
31	Auxiliary Bar Guide	L583-038
36	Locking Link	L583-048
38	Link Pin	L583-050
39	Transfer Lever	L583-051
40	Simultaneous Retractor	L583-053
51	1 1/4" Faceplate Tab	L583-426
52	Case Cover Screws	L583-454
53	Cylinder Retainer Screw	L583-481
54	Lock Handing Screw	L583-485
55	Cylinder Retainer	L583-490
56	Screw Plate	L583-492
58	Lock Case Cover	L583-496
60	Retractor Lever Assy	L583-147
61	Crank Retractor	L583-383
62	Bottom Hub	L583-386
63	Top Hub	L583-387
64	Retractor Catch	L583-345



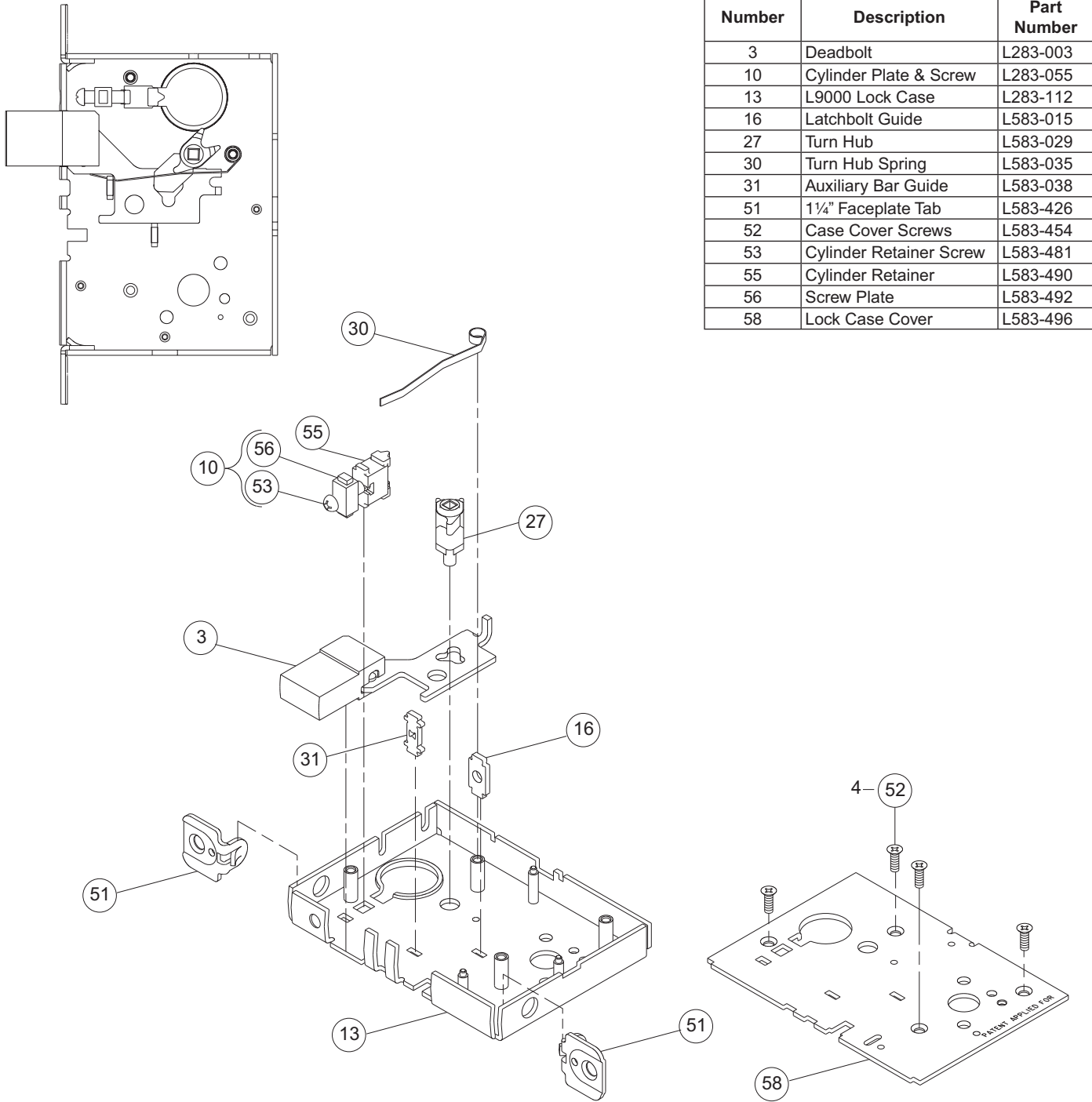
** See "Assembly of Lock Case Parts" on page 87.

NOTE: Lock case assembly shown for RH and RHR doors. See page 118 for instructions on changing the lock hand.

Lock Case Assemblies

L9460, L9462, L9463, L9464

Assembled Lock Case L283-139



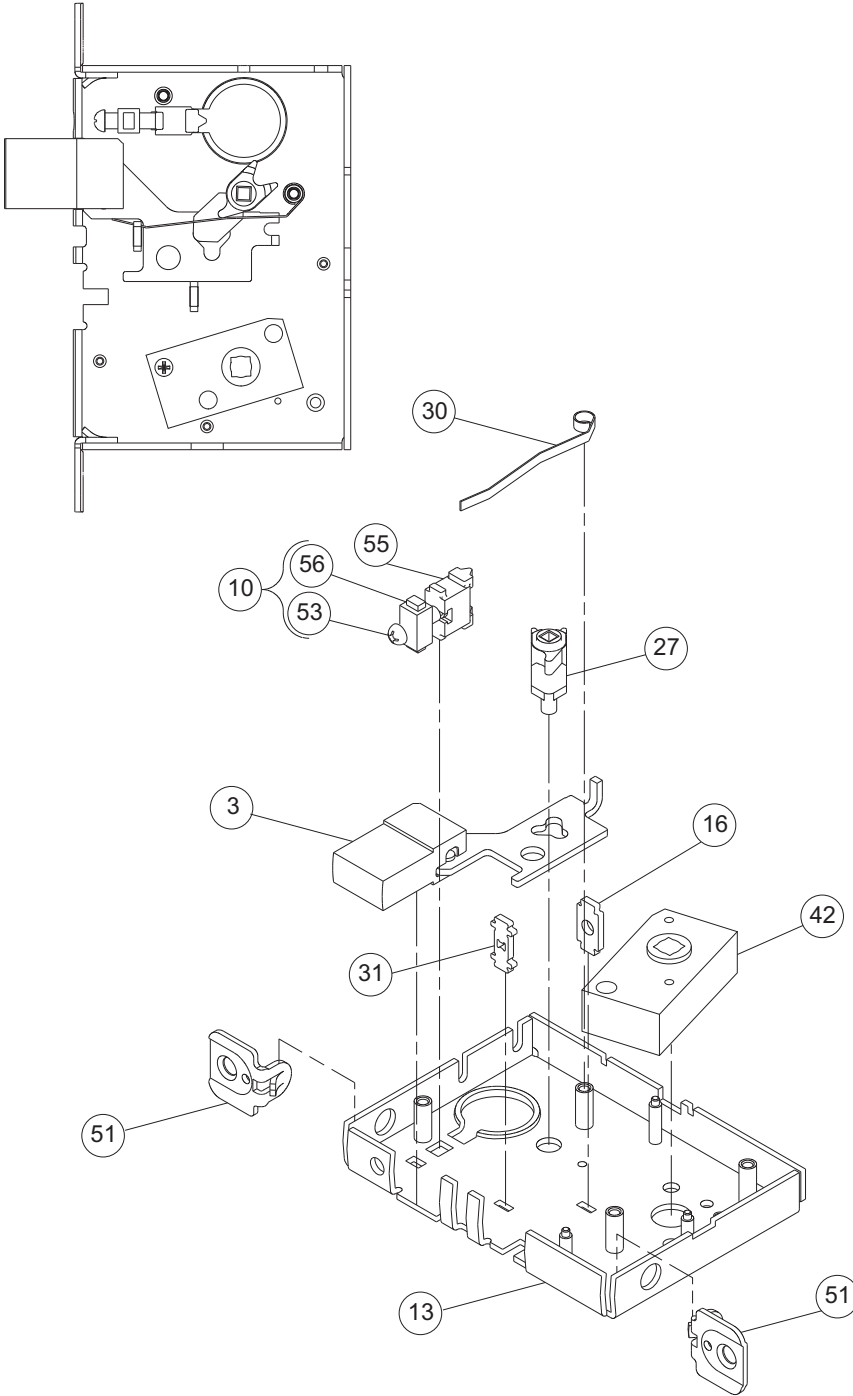
Number	Description	Part Number
3	Deadbolt	L283-003
10	Cylinder Plate & Screw	L283-055
13	L9000 Lock Case	L283-112
16	Latchbolt Guide	L583-015
27	Turn Hub	L583-029
30	Turn Hub Spring	L583-035
31	Auxiliary Bar Guide	L583-038
51	1¼" Faceplate Tab	L583-426
52	Case Cover Screws	L583-454
53	Cylinder Retainer Screw	L583-481
55	Cylinder Retainer	L583-490
56	Screw Plate	L583-492
58	Lock Case Cover	L583-496

NOTE: Lock case assembly shown for LH and LHR doors.

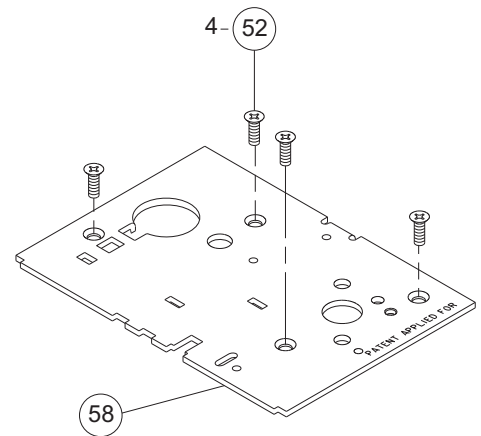
Lock Case Assemblies

L9460 x XL11-635

Assembled Lock Case XL11-661



Number	Description	Part Number
3	Deadbolt	L283-003
10	Cylinder Plate & Screw	L283-055
13	L9000 Lock Case	L283-112
16	Latchbolt Guide	L583-015
27	Turn Hub	L583-029
30	Turn Hub Spring	L583-035
31	Auxiliary Bar Guide	L583-038
42	Spindle Anchor	L583-057
51	1 1/4" Faceplate Tab	L583-426
52	Case Cover Screws	L583-454
53	Cylinder Retainer Screw	L583-481
55	Cylinder Retainer	L583-490
56	Screw Plate	L583-492
58	Lock Case Cover	L583-496

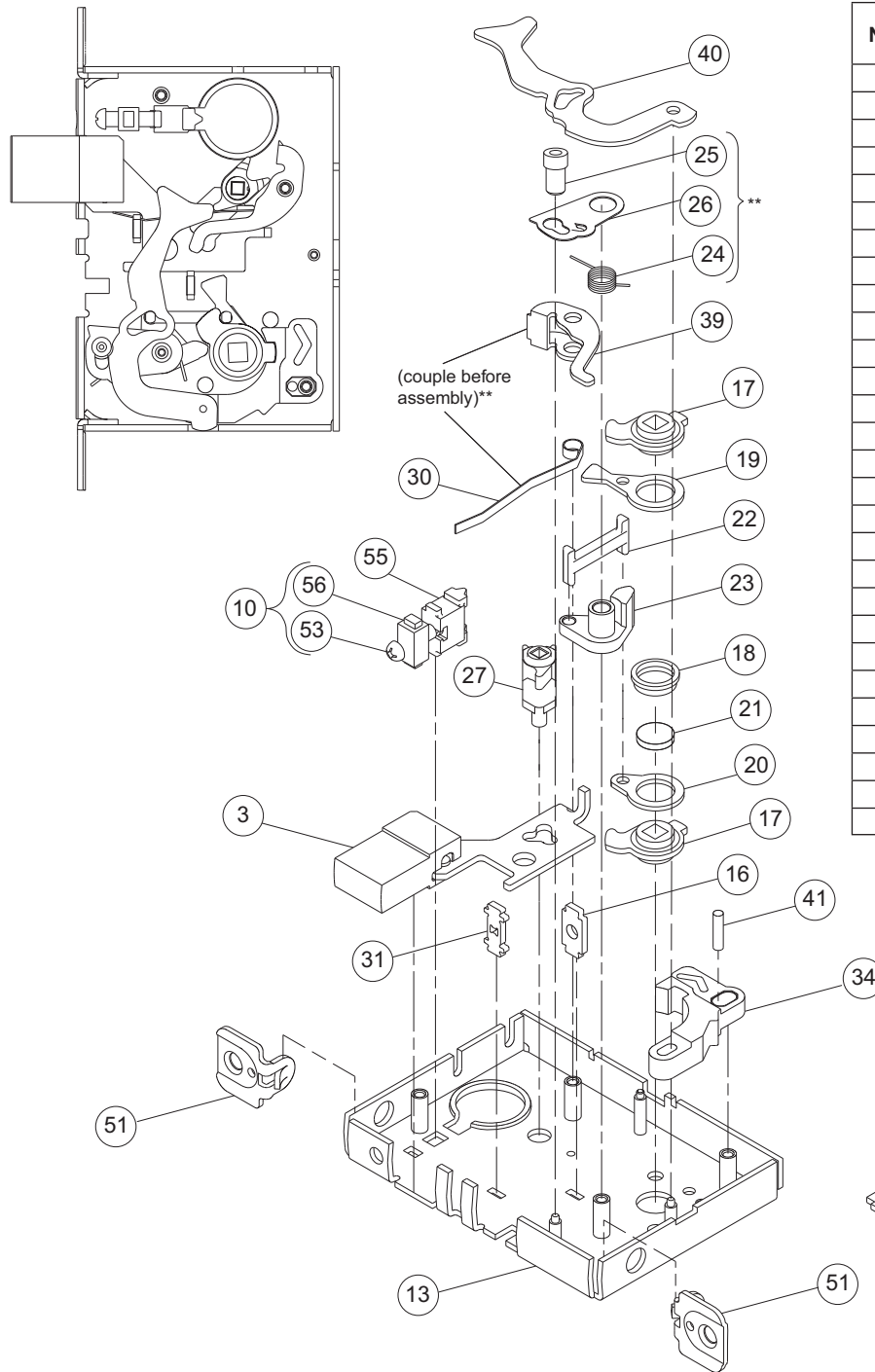


NOTE: Lock case assembly shown for LH and LHR doors.

Lock Case Assemblies

L9460 x XL11-886, L9462 x XL11-886, L9464 x XL11-886

Assembled Lock Case XL11-886



Number	Description	Part Number
3	Deadbolt	L283-003
10	Cylinder Plate & Screw	L283-055
13	L9000 Lock Case	L283-112
16	Latchbolt Guide	L583-015
17	Retractor Hub	L583-019
18	Hub Spacer	L583-020
19	Retractor Lever	L583-021
20	Retractor Rocker	L583-022
21	Blocking Plate	L583-023
22	Retractor Link	L583-024
23	Retractor Crank	L583-025
24	Hub Spring	L583-026
25	Fire Door Fuse	L583-027
26	Fire Door Catch	L583-028
27	Turn Hub	L583-029
30	Turn Hub Spring	L583-035
31	Auxiliary Bar Guide	L583-038
34	Locking Catch	L583-045
39	Transfer Lever	L583-051
40	Simultaneous Retractor	L583-053
41	Catch Pin	L583-056
51	1 1/4" Faceplate Tab	L583-426
52	Case Cover Screws	L583-454
53	Cylinder Retainer Screw	L583-481
54	Lock Handing Screw	L583-485
55	Cylinder Retainer	L583-490
56	Screw Plate	L583-492
58	Lock Case Cover	L583-496

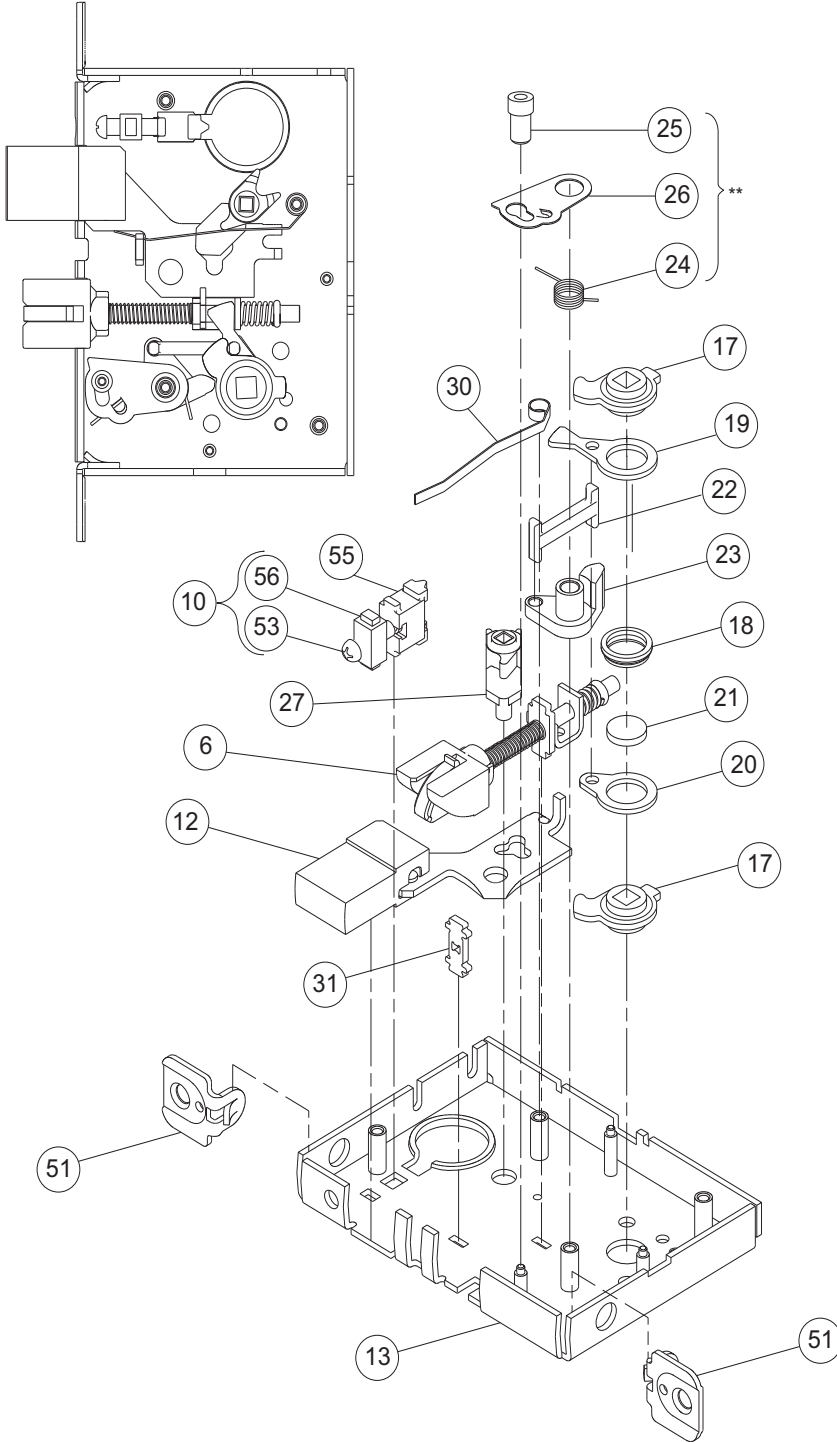
** See "Assembly of Lock Case Parts" on page 87.

NOTE: Lock case assembly shown for LH and LHR doors. See page 118 for instructions on changing the lock hand.

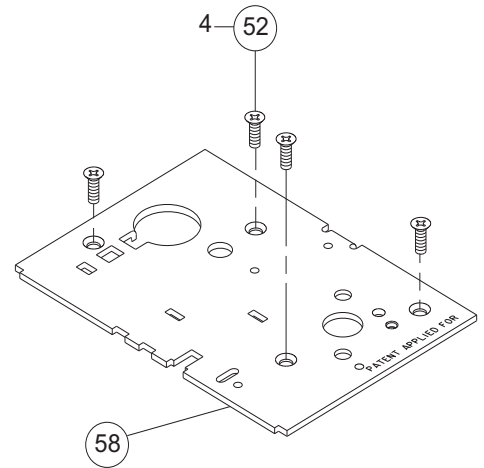
Lock Case Assemblies

L9465, L9466, L9473

Assembled Lock Case L283-140



Number	Description	Part Number
6	Latchbolt	L283-008
10	Cylinder Plate & Screw	L283-055
12	Deadbolt	L583-075
13	L9000 Lock Case	L283-112
17	Retractor Hub	L583-019
18	Hub Spacer	L583-020
19	Retractor Lever	L583-021
20	Retractor Rocker	L583-022
21	Blocking Plate	L583-023
22	Retractor Link	L583-024
23	Retractor Crank	L583-025
24	Hub Spring	L583-026
25	Fire Door Fuse	L583-027
26	Fire Door Catch	L583-028
27	Turn Hub	L583-029
30	Turn Hub Spring	L583-035
31	Auxiliary Bar Guide	L583-038
51	1 1/4" Faceplate Tab	L583-426
52	Case Cover Screws	L583-454
53	Cylinder Retainer Screw	L583-481
55	Cylinder Retainer	L583-490
56	Screw Plate	L583-492
58	Lock Case Cover	L583-496

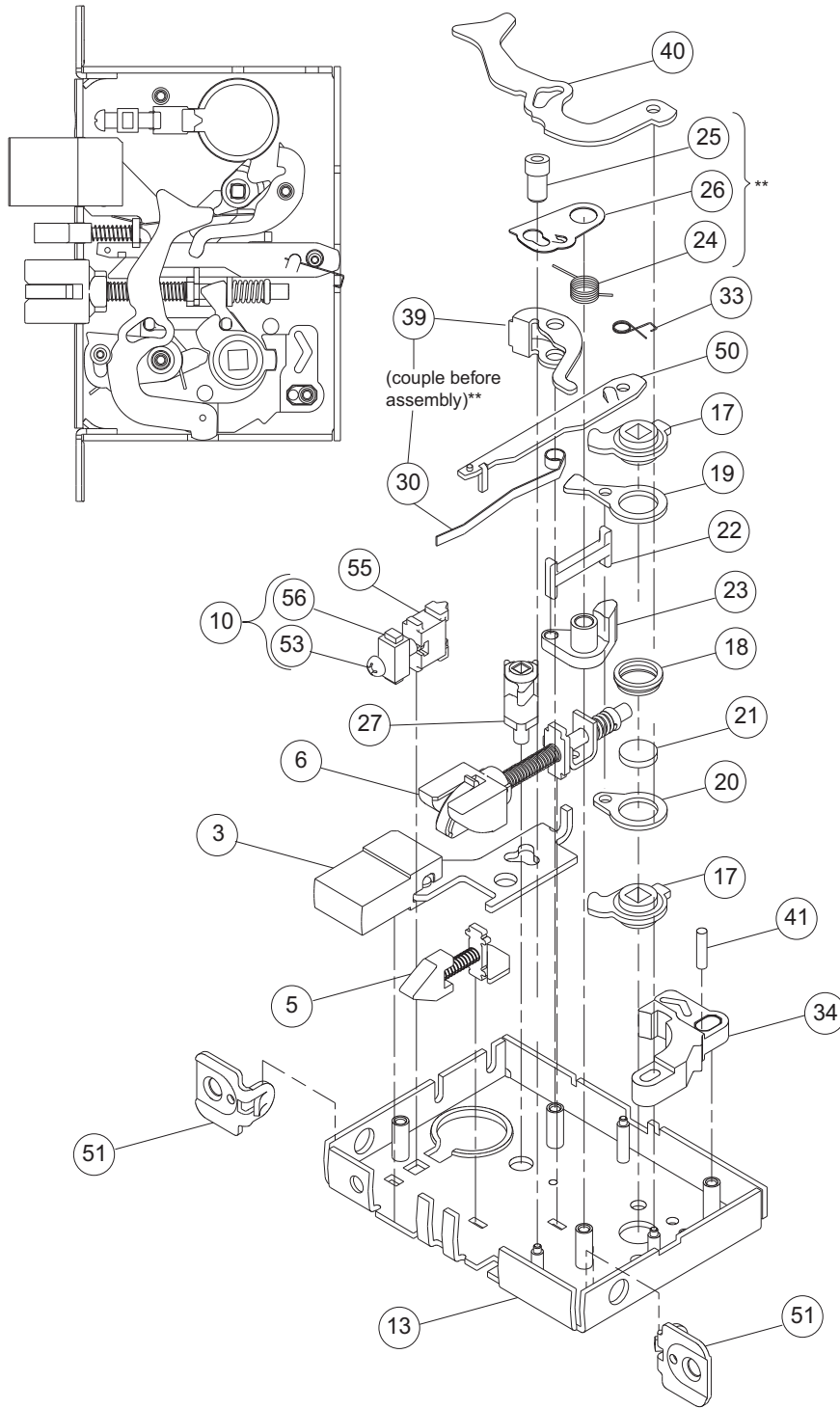


** See "Assembly of Lock Case Parts" on page 87.
 NOTE: Lock case assembly shown for LH and LHR doors.

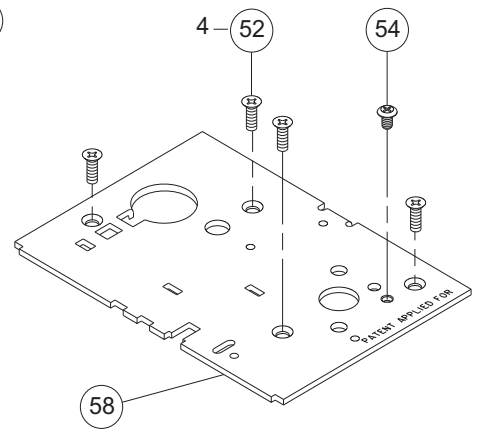
Lock Case Assemblies

L9480, L9485, L9486, L9486 x L583-375

Assembled Lock Case L283-141



Number	Description	Part Number
3	Deadbolt	L283-003
5	Auxiliary Latchbolt	L283-006
6	Latchbolt	L283-008
10	Cylinder Plate & Screw	L283-055
13	L9000 Lock Case	L283-112
17	Retractor Hub	L583-019
18	Hub Spacer	L583-020
19	Retractor Lever	L583-021
20	Retractor Rocker	L583-022
21	Blocking Plate	L583-023
22	Retractor Link	L583-024
23	Retractor Crank	L583-025
24	Hub Spring	L583-026
25	Fire Door Fuse	L583-027
26	Fire Door Catch	L583-028
27	Turn Hub	L583-029
30	Turn Hub Spring	L583-035
33	Stop Spring	L583-044
34	Locking Catch	L583-045
39	Transfer Lever	L583-051
40	Simultaneous Retractor	L583-053
41	Catch Pin	L583-056
50	Auxiliary Stop	L583-196
51	1/4" Faceplate Tab	L583-426
52	Case Cover Screws	L583-454
53	Cylinder Retainer Screw	L583-481
54	Lock Handing Screw	L583-485
55	Cylinder Retainer	L583-490
56	Screw Plate	L583-492
58	Lock Case Cover	L583-496



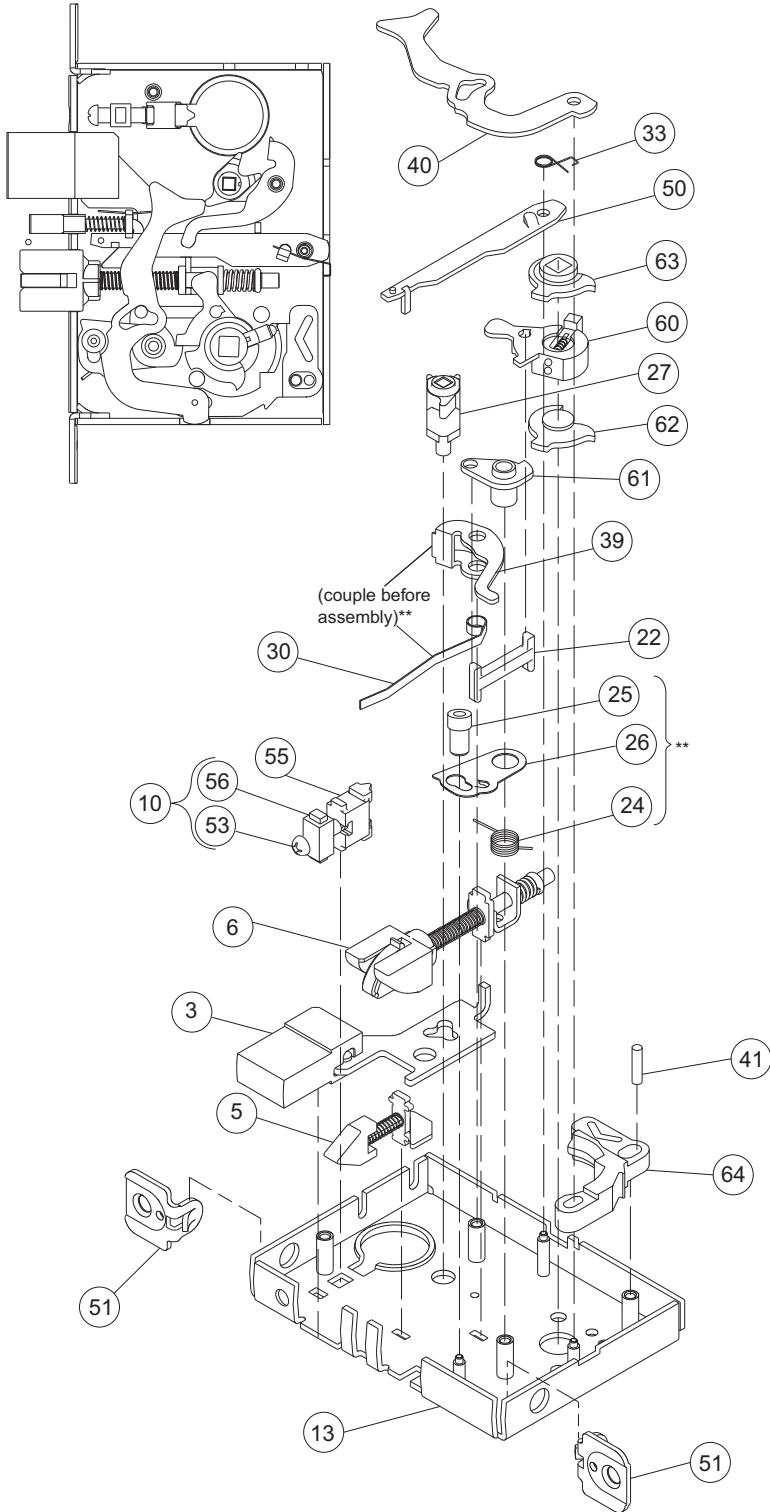
** See "Assembly of Lock Case Parts" on page 87.

NOTE: Lock case assembly shown for LH and LHR doors. See page 118 for instructions on changing the lock hand.

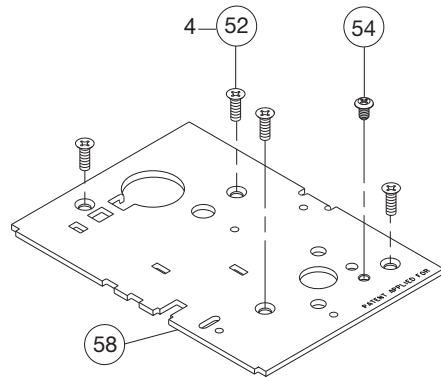
Lock Case Assemblies

LV9480, LV9485, LV9486, LV9486 x L583-375

Assembled Lock Case L283-178



Number	Description	Part Number
3	Deadbolt	L283-003
5	Auxiliary Latchbolt	L283-006
6	Latchbolt	L283-008
10	Cylinder Plate & Screw	L283-055
13	L9000 Lock Case	L283-112
22	Retractor Link	L583-024
24	Hub Spring	L583-026
25	Fire Door Fuse	L583-027
26	Fire Door Catch	L583-028
27	Turn Hub	L583-029
30	Turn Hub Spring	L583-035
33	Stop Spring	L583-044
39	Transfer Lever	L583-051
40	Simultaneous Retractor	L583-053
41	Catch Pin	L583-056
50	Auxiliary Stop	L583-196
51	1 1/4" Faceplate Tab	L583-426
52	Case Cover Screws	L583-454
53	Cylinder Retainer Screw	L583-481
54	Lock Handing Screw	L583-485
55	Cylinder Retainer	L583-490
56	Screw Plate	L583-492
58	Lock Case Cover	L583-496
60	Retractor Lever Assy	L283-147
61	Crank Retractor	L583-383
62	Bottom Hub	L583-386
63	Top Hub	L583-387
64	Retractor Catch	L583-345



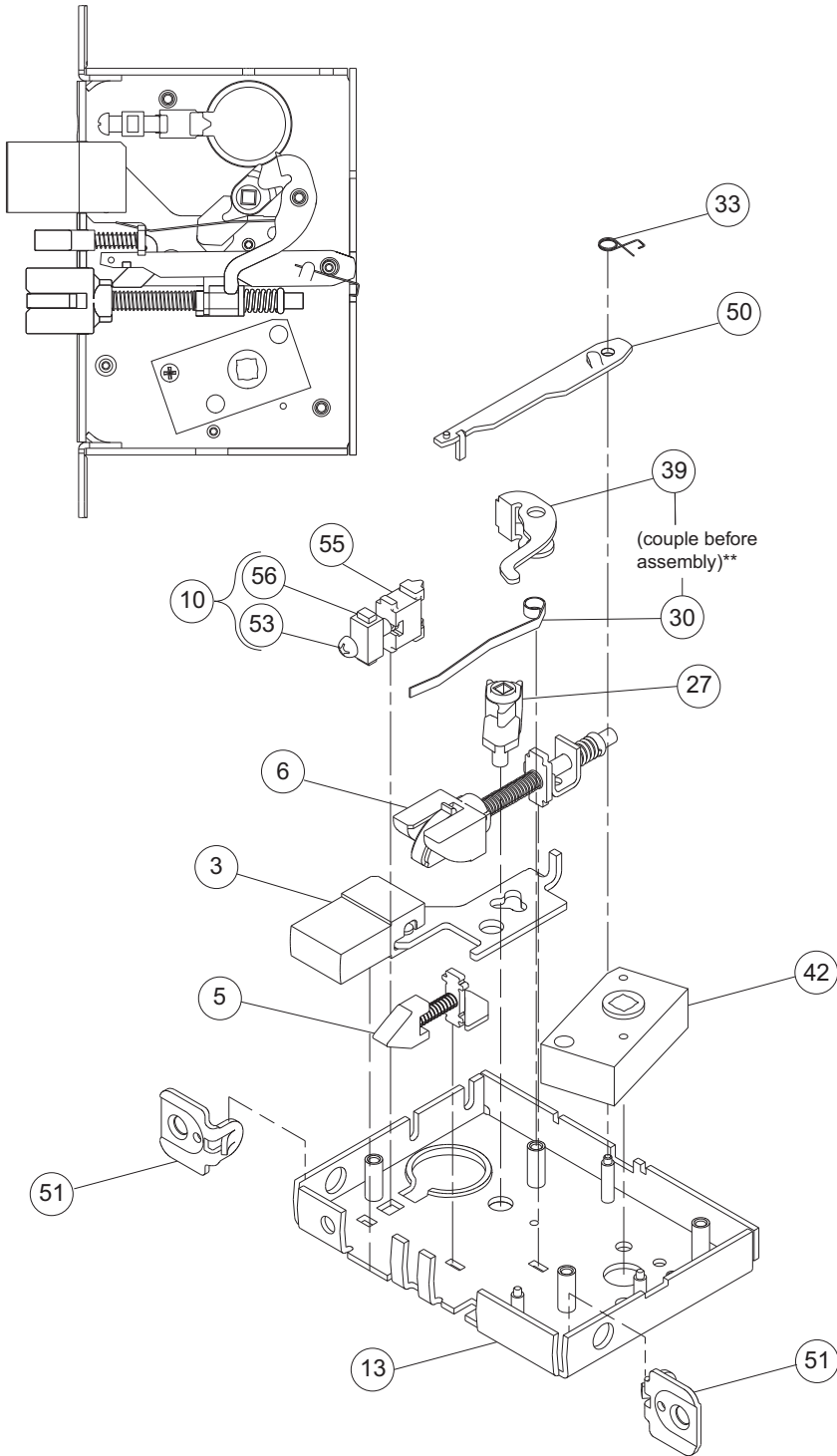
** See "Assembly of Lock Case Parts" on page 87.

NOTE: Lock case assembly shown for RH and RHR doors. See page 118 for instructions on changing the lock hand.

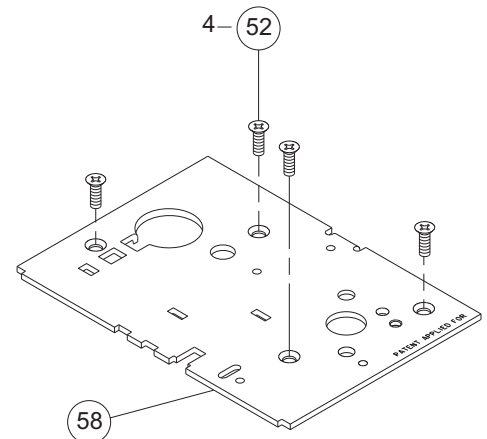
Lock Case Assemblies

L9482 x XL11-543

Assembled Lock Case L283-146 x XL11-543



Number	Description	Part Number
3	Deadbolt	L283-003
5	Auxiliary Latchbolt	L283-006
6	Latchbolt	L283-008
10	Cylinder Plate & Screw	L283-055
13	L9000 Lock Case	L283-112
27	Turn Hub	L583-029
30	Turn Hub Spring	L583-035
33	Stop Spring	L583-044
39	Transfer Lever	L583-051
42	Spindle Anchor	L583-057
50	Auxiliary Stop	L583-196
51	1 1/4" Faceplate Tab	L583-426
52	Case Cover Screws	L583-454
53	Cylinder Retainer Screw	L583-481
55	Cylinder Retainer	L583-490
56	Screw Plate	L583-492
58	Lock Case Cover	L583-496

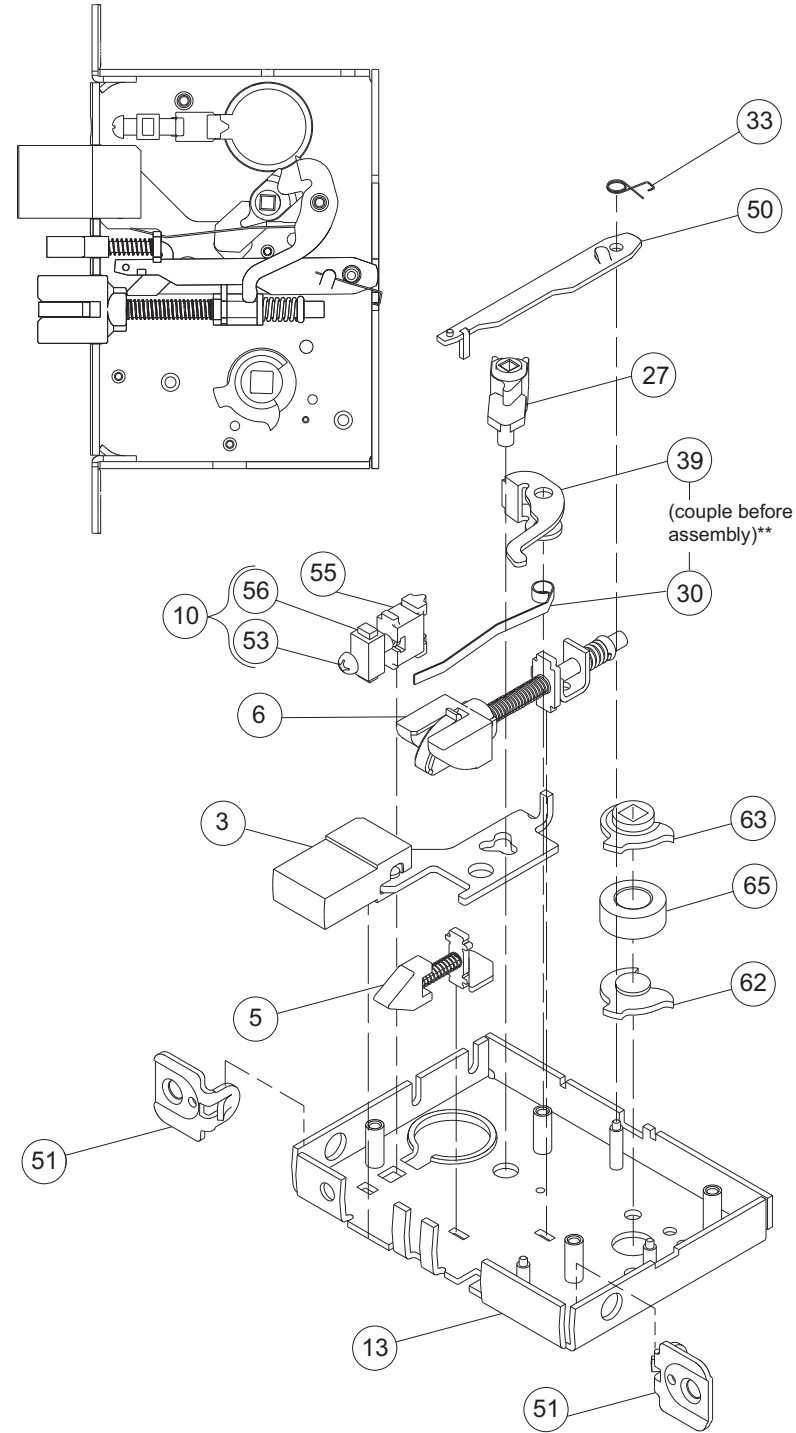


** See "Assembly of Lock Case Parts" on page 87.
 NOTE: Lock case assembly shown for LH and LHR doors.

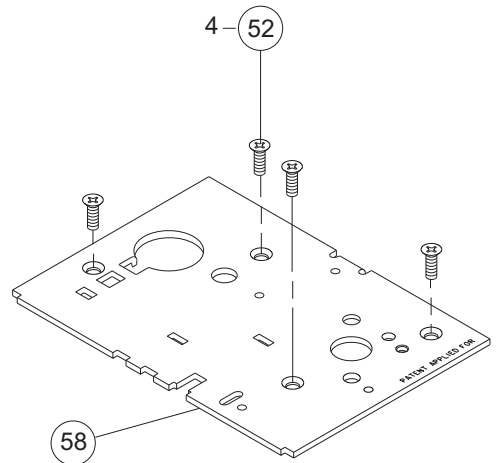
Lock Case Assemblies

LV9482 x XL11-543

Assembled Lock Case L283-183



Number	Description	Part Number
3	Deadbolt	L283-003
5	Auxiliary Latchbolt	L283-006
6	Latchbolt	L283-008
10	Cylinder Plate & Screw	L283-055
13	L9000 Lock Case	L283-112
27	Turn Hub	L583-029
30	Turn Hub Spring	L583-035
33	Stop Spring	L583-044
39	Transfer Lever	L583-051
50	Auxiliary Stop	L583-196
51	1 1/4" Faceplate Tab	L583-426
52	Case Cover Screws	L583-454
53	Cylinder Retainer Screw	L583-481
55	Cylinder Retainer	L583-490
56	Screw Plate	L583-492
58	Lock Case Cover	L583-496
62	Bottom Hub	L583-386
63	Top Hub	L583-387
65	Spacer	L583-346



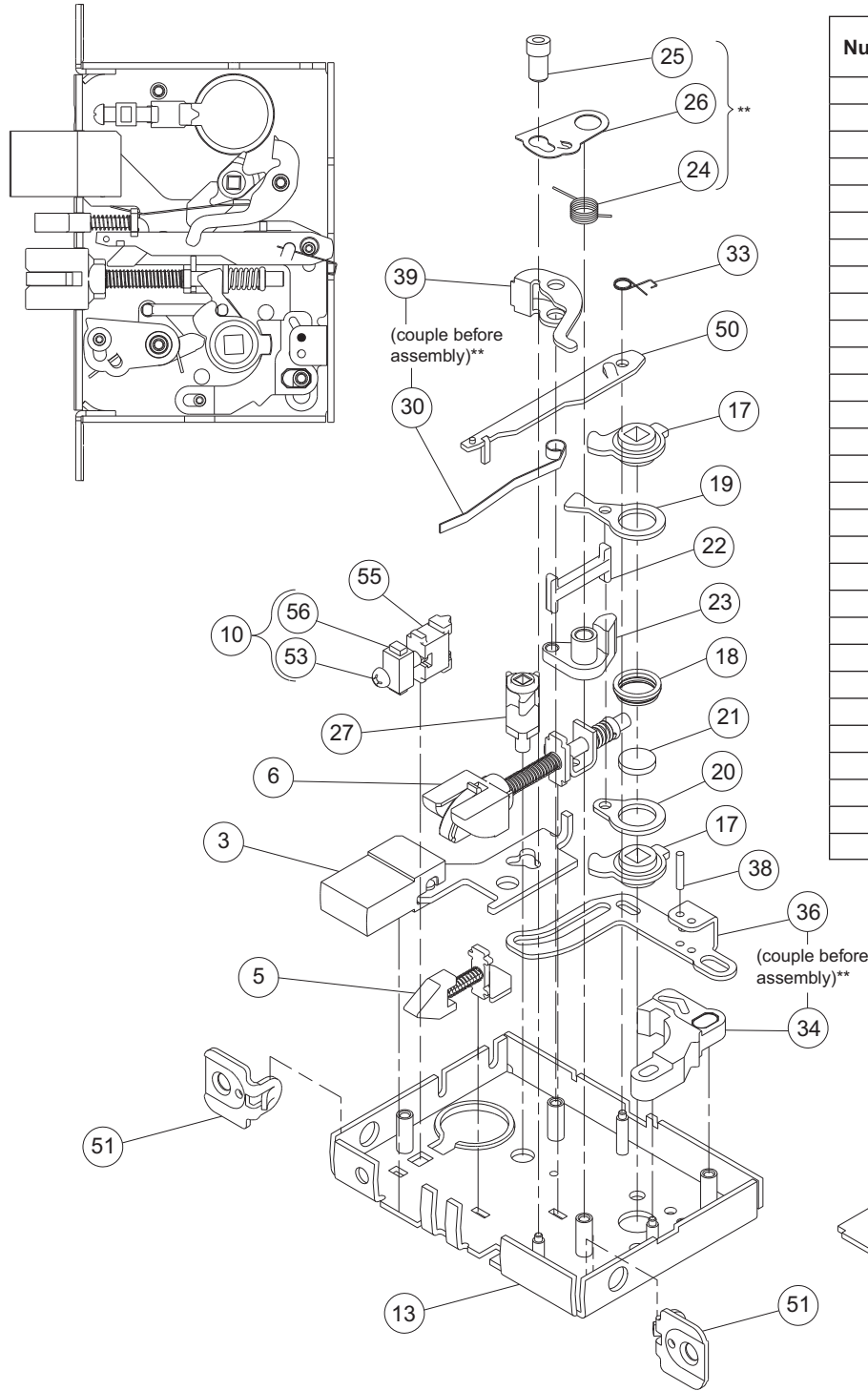
** See "Assembly of Lock Case Parts" on page 87.

NOTE: Lock case assembly shown for RH and RHR doors.

Lock Case Assemblies

L9485 x XL11-557

Assembled Lock Case XL11-557



Number	Description	Part Number
3	Deadbolt	L283-003
5	Auxiliary Latchbolt	L283-006
6	Latchbolt	L283-008
10	Cylinder Plate & Screw	L283-055
13	L9000 Lock Case	L283-112
17	Retractor Hub	L583-019
18	Hub Spacer	L583-020
19	Retractor Lever	L583-021
20	Retractor Rocker	L583-022
21	Blocking Plate	L583-023
22	Retractor Link	L583-024
23	Retractor Crank	L583-025
24	Hub Spring	L583-026
25	Fire Door Fuse	L583-027
26	Fire Door Catch	L583-028
27	Turn Hub	L583-029
30	Turn Hub Spring	L583-035
33	Stop Spring	L583-044
34	Locking Catch	L583-045
36	Locking Link	L583-048
38	Link Pin	L583-050
39	Transfer Lever	L583-051
51	1 1/4" Faceplate Tab	L583-426
52	Case Cover Screws	L583-454
53	Cylinder Retainer Screw	L583-481
54	Lock Handing Screw	L583-485
55	Cylinder Retainer	L583-490
56	Screw Plate	L583-492
58	Lock Case Cover	L583-496

** See "Assembly of Lock Case Parts" on page 87.

NOTE: Lock case assembly shown for LH and LHR doors. See page 118 for instructions on changing the lock hand.

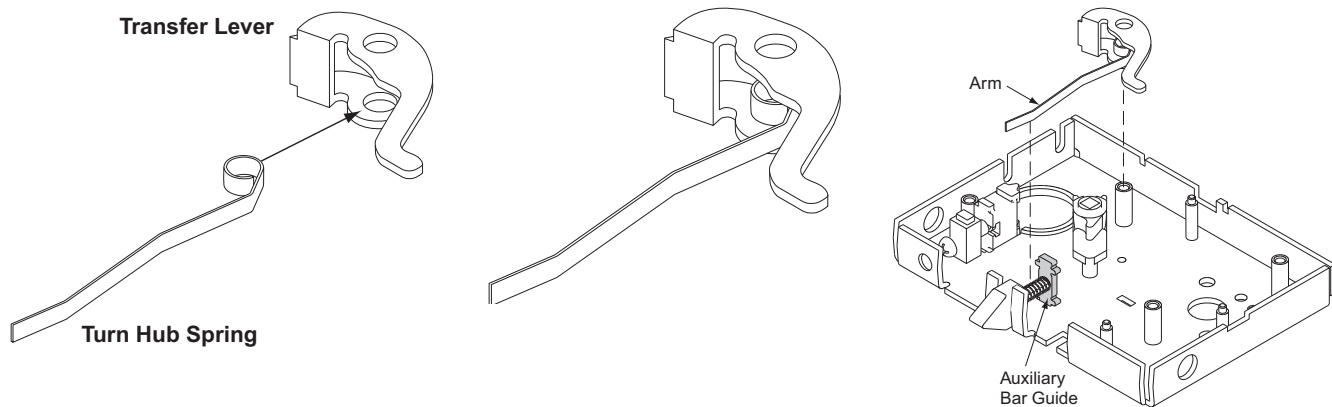
Lock Case Assembly Compatibility

	L283-005 Cylinder Anchor Assembly	L583-046 Lock Handing Screw	L583-046 Faceplate Tab Screw	L583-006, L583-007 Faceplate Tab	L583-452 Lock Case Cover	L283-080 Lock Case	L583-480/481/482 Cylinder Retainer Assembly	L583-485 Lock Handing Screw	L583-426, L583-427 Faceplate Tab	L583-484 Lock Case Cover	L283-130 Lock Case (April 1, 1994)	L283-130 Lock Case (July 15, 1994)
L283-005 Cylinder Anchor Assembly					•	•						
L583-046 Lock Handing Screw					•	•						
L583-046 Faceplate Tab Screw				•		•					•	
L583-006 L583-007 Faceplate Tab			•			•					•	
L583-452 Lock Case Cover	•	•				•						
L283-080 Lock Case	•	•	•	•	•							
L583-480/481/482 Cylinder Retainer Assembly										•	•	•
L583-485 Lock Handing Screw										•	•	•
L583-426 L583-427 Faceplate Tab												•
L583-484 Lock Case Cover							•	•			•	•
L283-130 Lock Case (4-1-94)			•	•			•	•		•		
L283-130 Lock Case (7-15-94)							•	•	•	•		

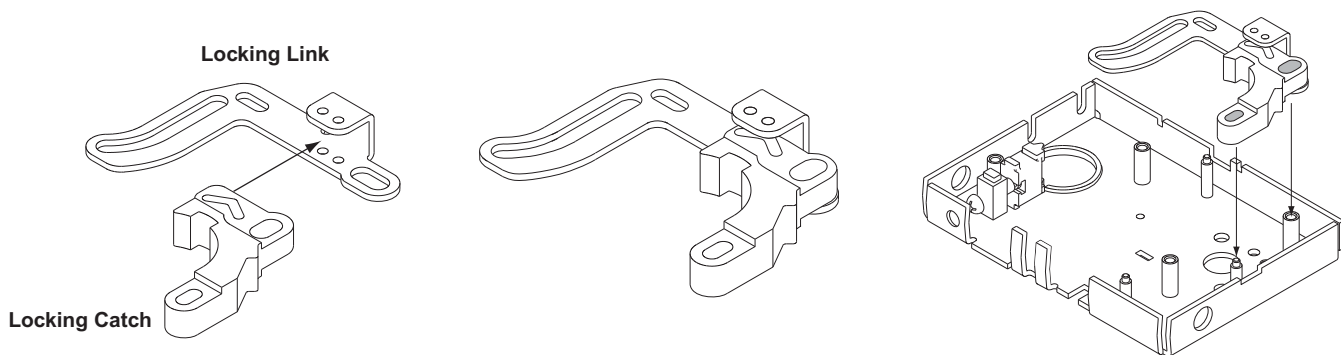
Use this table to determine compatibility between parts for lock manufactured in 1994.

Assembly of Lock Case Parts

Turn Hub Spring and Transfer Lever

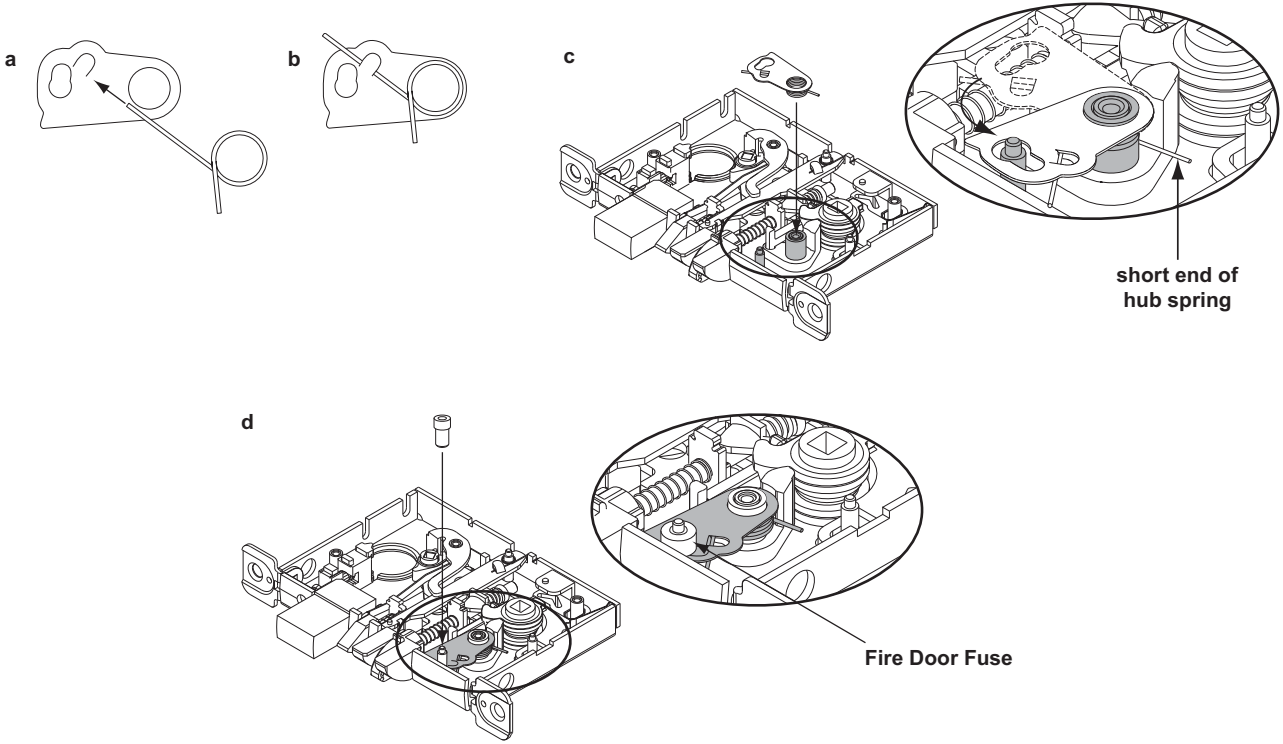


Locking Catch / Retractor Catch and Locking Link

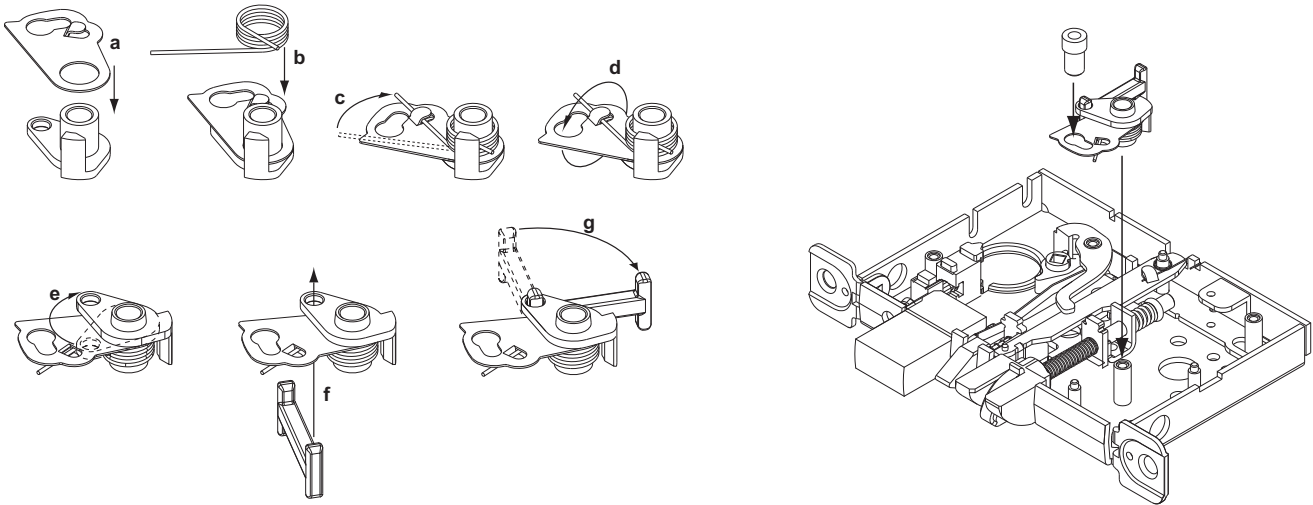


Assembly of Lock Case Parts

L FUNCTIONS ONLY Fire Door Fuse, Fire Door Catch and Hub Spring



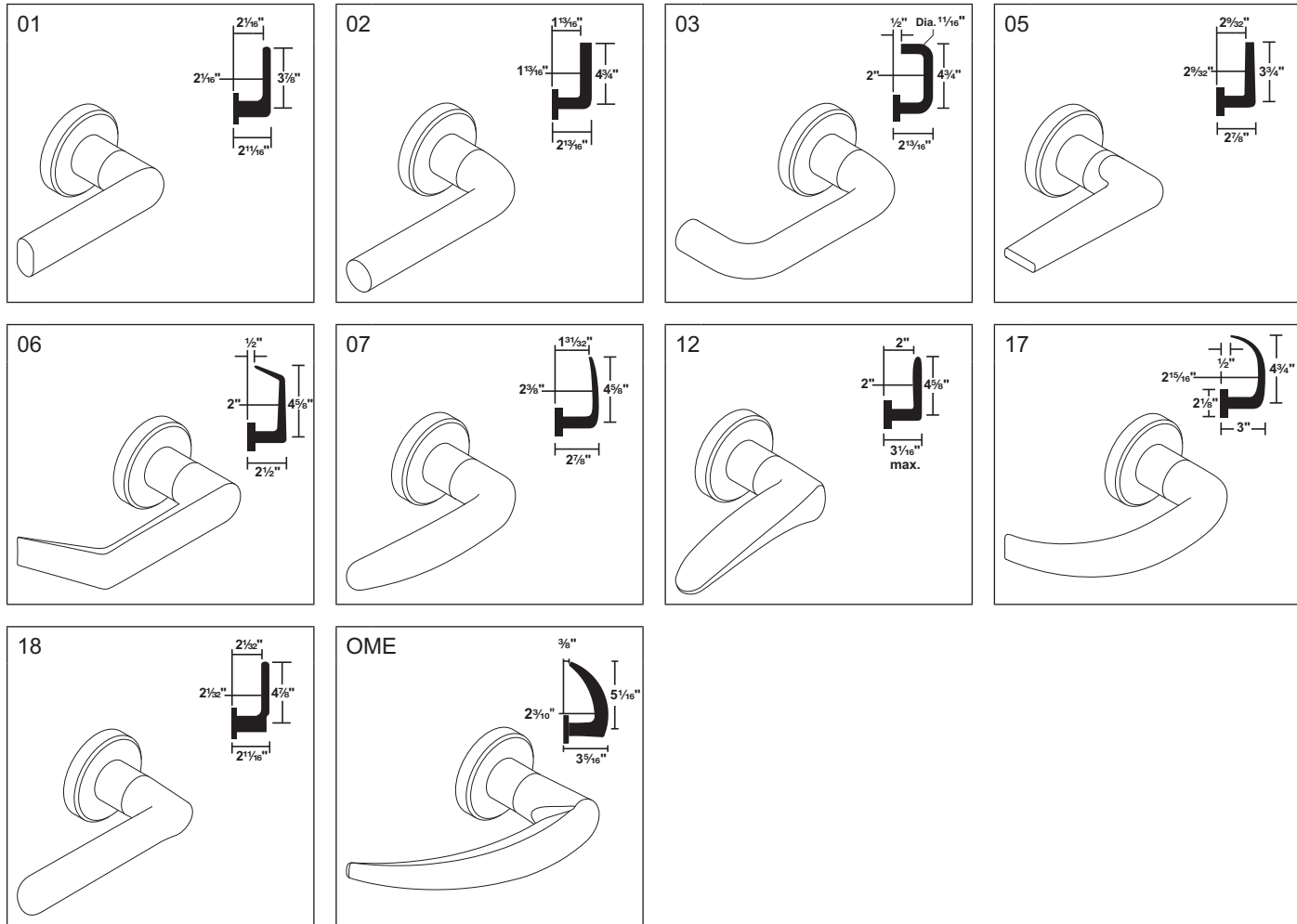
LV FUNCTIONS ONLY Fire Door Fuse, Fire Door Catch and Hub Spring



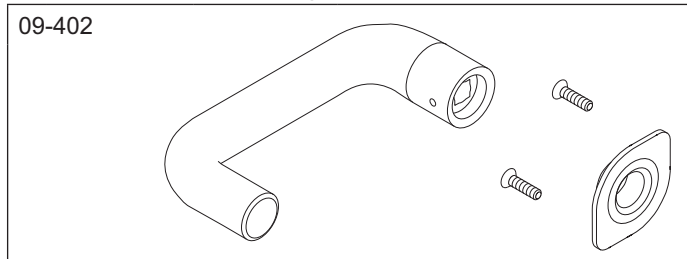
Trim Options

Cast or Forged Lever Designs

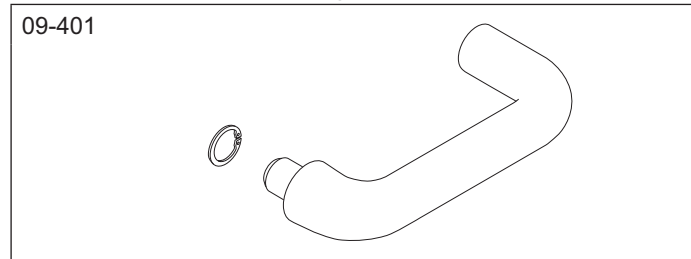
Levers are available in forged brass or bronze, and cast stainless steel. Levers are shown with rose trim A or B. Also available with L or N escutcheon. See escutcheon options on page 92-94.



Inside Lever Assembly



Outside Lever Assembly

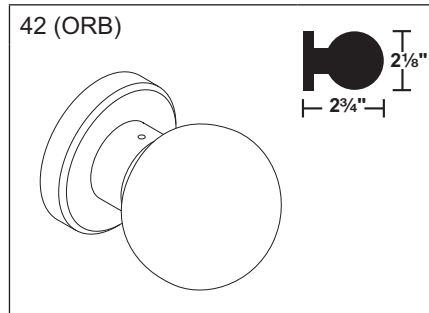
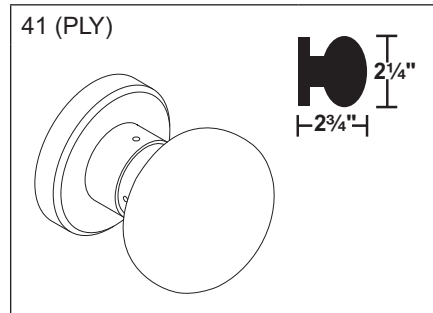


NOTE: See Schlage Commercial Price Book for available finishes.

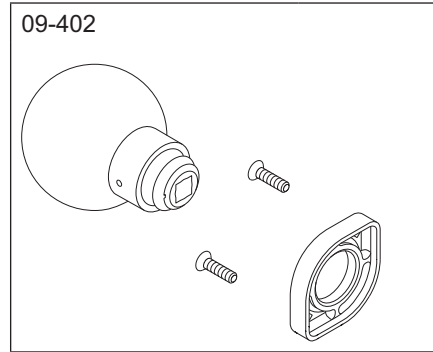
Trim Options

Wrought Knob Designs

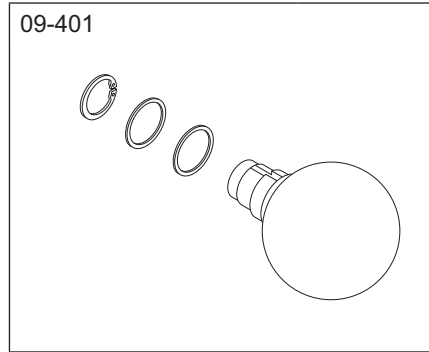
Knobs shown with rose trim A or B. Also available with L or N escutcheons. See escutcheon options on page 92-94.



Inside Knob Assembly



Outside Knob Assembly



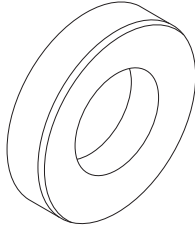
Rose Trim A or B

Inside Rose

09-503

Rose Design A— $2\frac{1}{8}$ " dia. x $\frac{13}{32}$ "

Rose Design B— $2\frac{9}{16}$ " dia. x $\frac{13}{32}$ "



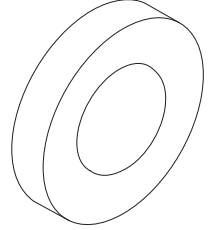
Furnished with mounting plate and screws.
For decorative trim, see page 95.

Blank Outside Rose

09-508

Rose Design A— $2\frac{1}{8}$ " dia. x $\frac{13}{32}$ "

Rose Design B— $2\frac{9}{16}$ " dia. x $\frac{13}{32}$ "

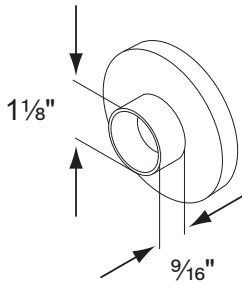


Furnished with mounting plate, screws, and plug. Used to mount inside rose trim on doors prepared for trim both sides.

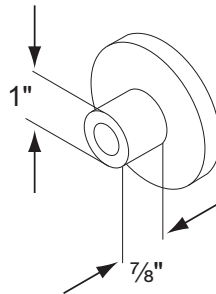
Outside Rose Dimensions

09-404 (bushing attached at factory) or 09-506 with knob or lever.

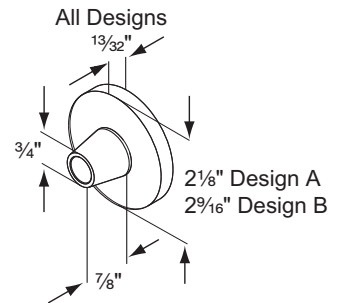
41, 42



01, 02, 03, 05, 06, 07, 12,
17, 18



AST, ACC, MER, OME,
STA

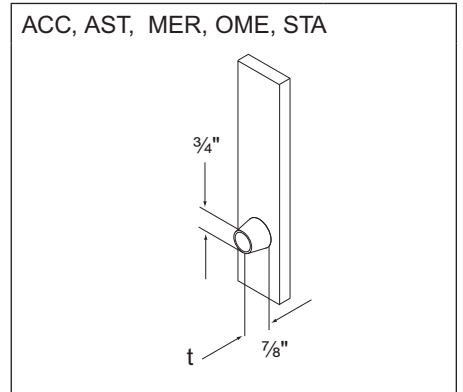
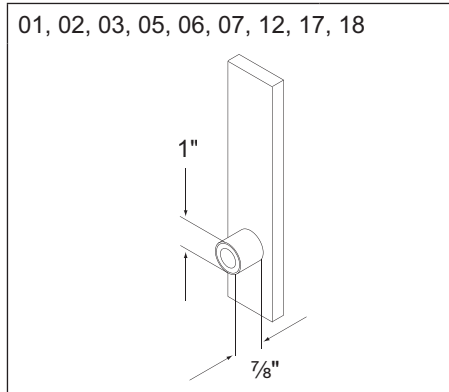
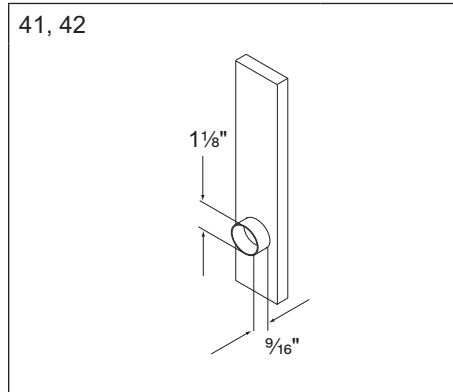


L Escutcheon Trim

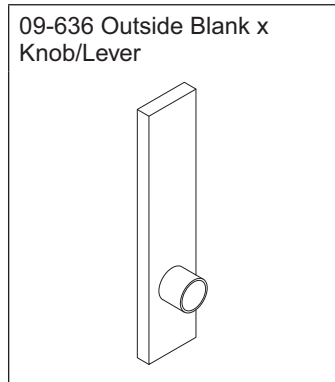
Outside Escutcheon Dimensions

Knob/Lever Design

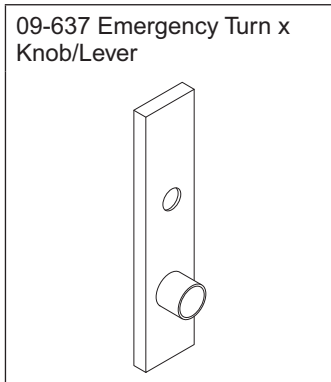
(8" x 1 3/4" x 7/16" Cold forged brass, bronze, or stainless steel base material – Bushing attached at factory)



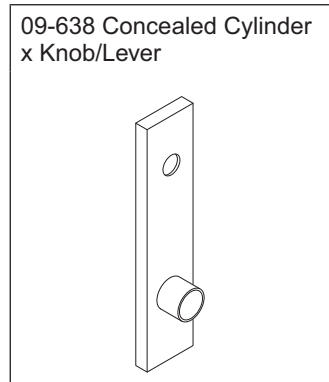
Outside Escutcheons



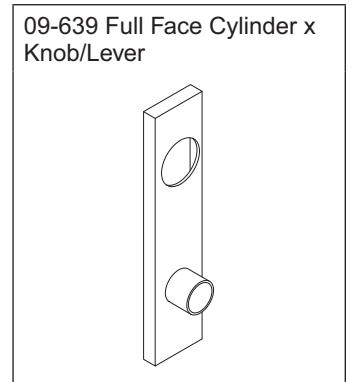
Specify 09-636 or 09-550 with knob/lever.



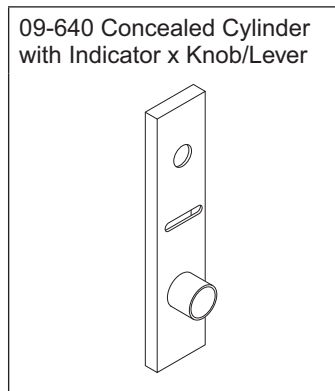
Specify 09-637 or 09-551 with knob/lever.



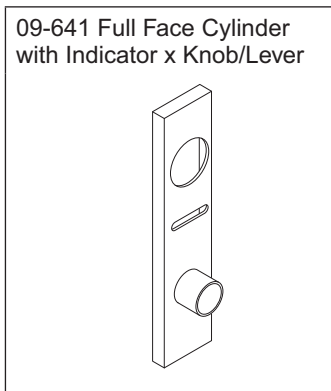
Specify 09-638 or 09-552 with knob/lever.



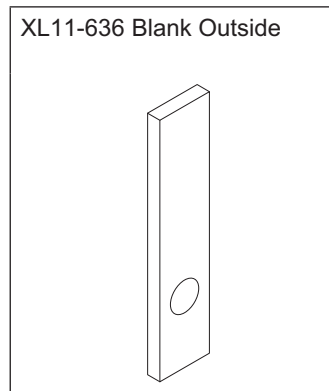
Specify 09-639 or 09-553 with knob/lever.



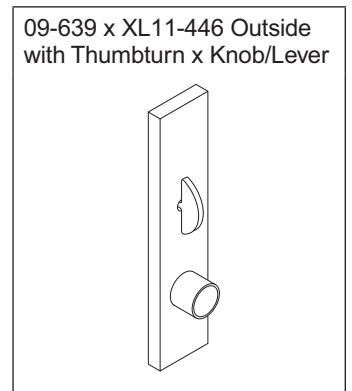
Specify 09-636 or 09-550 with knob/lever. Specify L583-375 for "Occupied".



Specify 09-636 or 09-550 with knob/lever. Specify L583-375 for "Occupied".



Specify XL11-636 OOL.

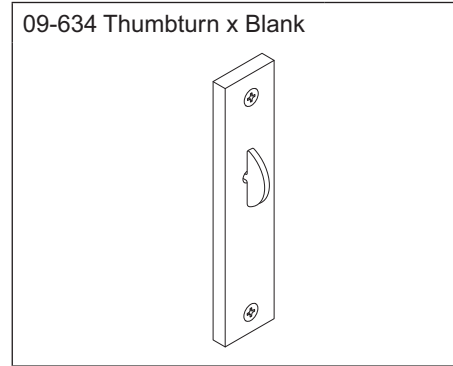
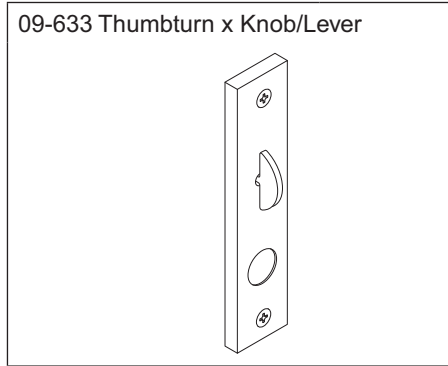
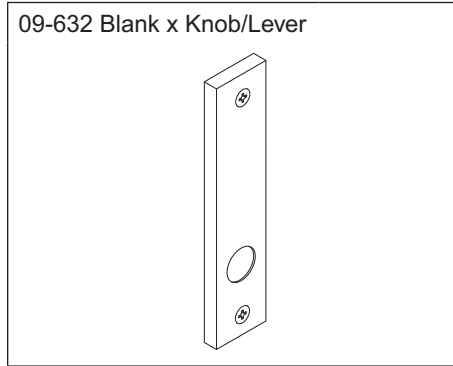


For L9040 x XL11-446 function. Not sold separately.

NOTES: When ordering trim parts, specify the complete design and finish (e.g. 09-402 01A 605). See Schlage Commercial Price Book for available finishes.

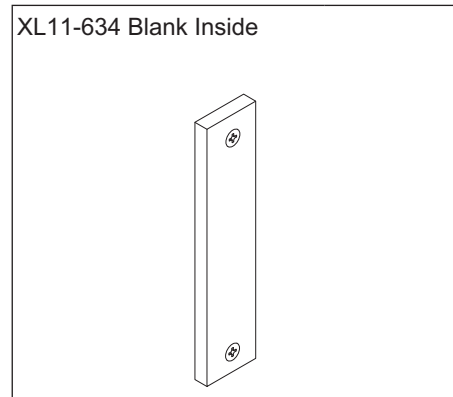
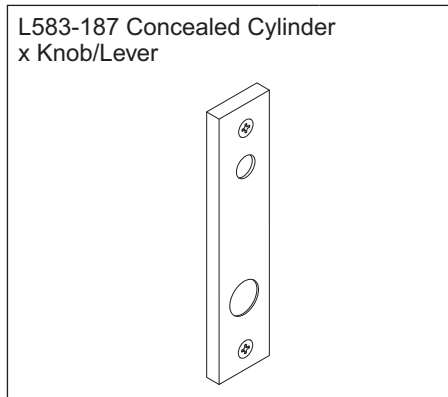
L Escutcheon Trim

Inside Escutcheons



Specify door thickness: 1 $\frac{3}{8}$ " or 1 $\frac{3}{4}$ "
 Available with EZ Turn (ADA).
 (See "Trim Options" on page 97.)

Specify door thickness: 1 $\frac{3}{8}$ " or 1 $\frac{3}{4}$ "
 Available with EZ Turn (ADA).
 (See "Trim Options" on page 97.)



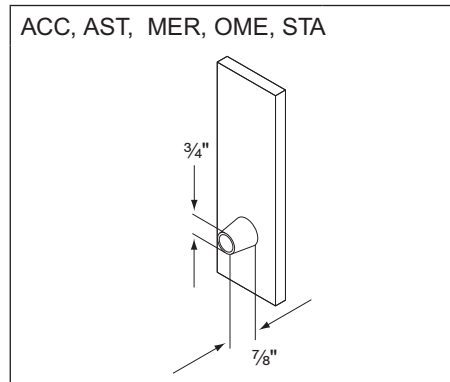
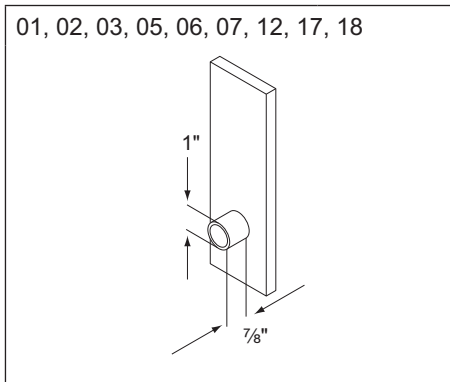
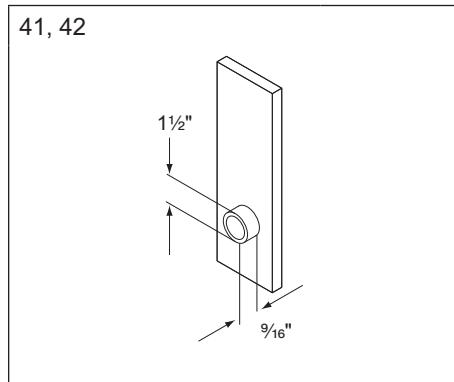
NOTES: When ordering trim parts, specify the complete design and finish (e.g. 09-632 01L 605).
 See Schlage Commercial Price Book for available finishes.

N Escutcheon Trim

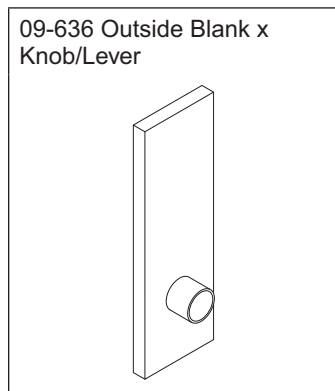
Outside Escutcheon Dimensions

Knob/Lever Design

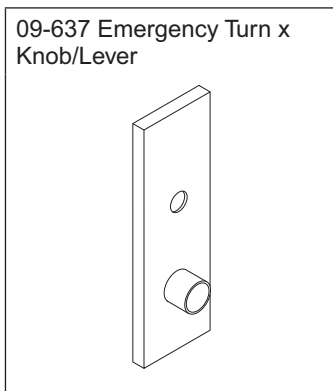
(8" x 2⁹/₁₆" x 7/₈" Heavy wrought reinforced brass, bronze, or stainless steel base material – Bushing attached at factory)



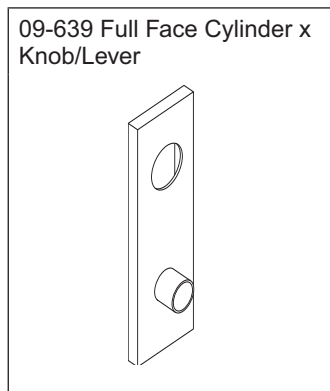
Outside Escutcheons



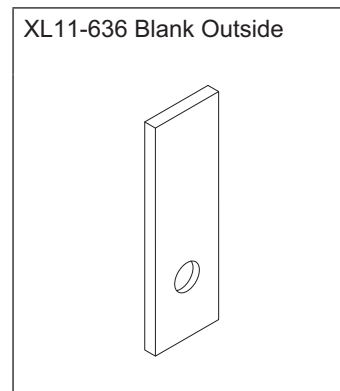
Specify 09-636 or 09-550 with knob/lever.



Specify 09-637 or 09-551 with knob/lever.



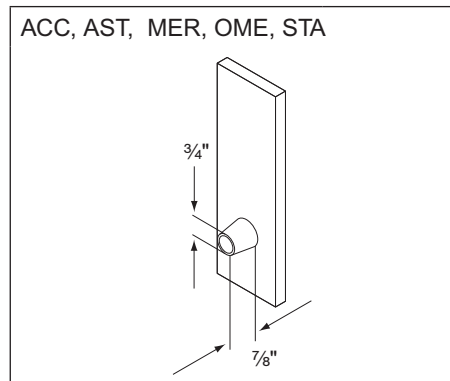
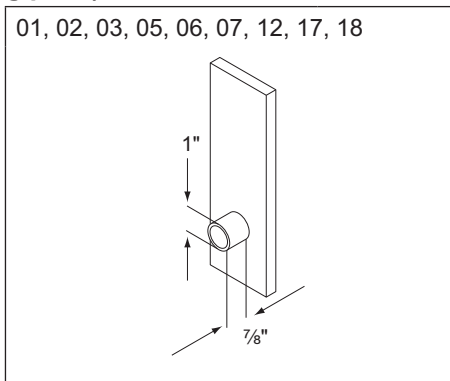
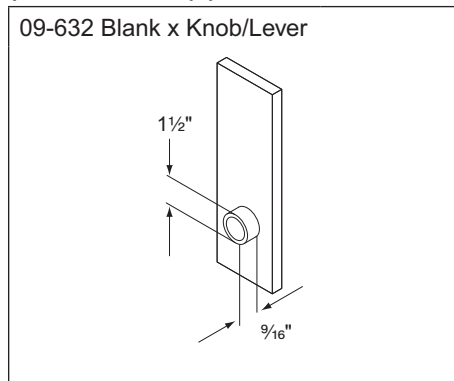
Specify 09-639 or 09-553 with knob/lever.



Specify XL11-636 00N and finish.

Inside Escutcheons

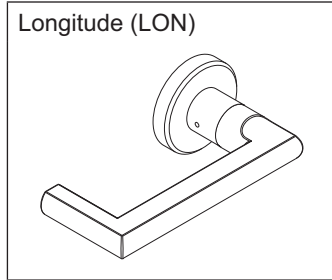
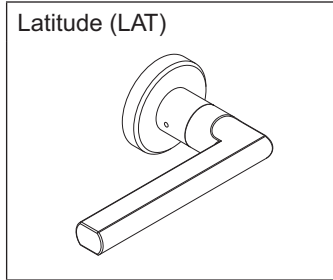
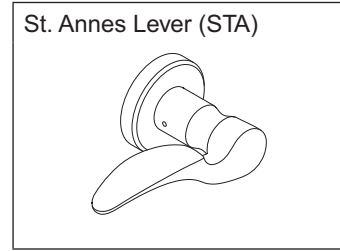
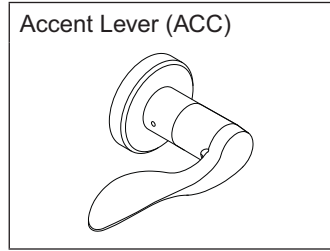
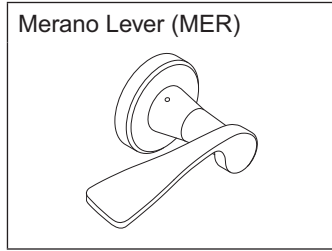
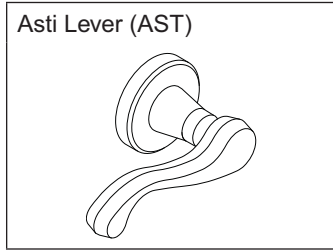
(Includes two (2) screws and mounting plate)



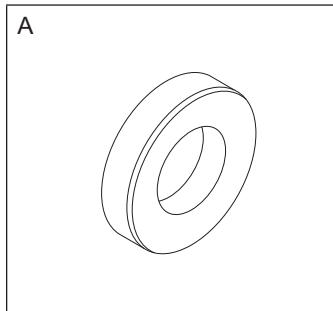
NOTES: When ordering trim parts, specify the complete design and finish (e.g. 09-402 03N 605). See Schlage Commercial Price Book for available finishes.

Decorative Trim

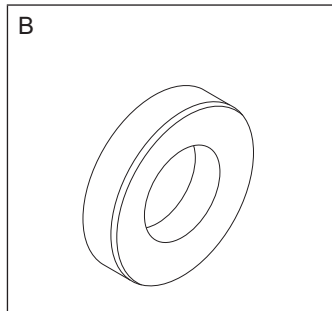
Decorative Levers



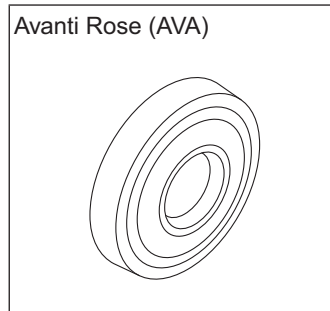
Decorative Roses



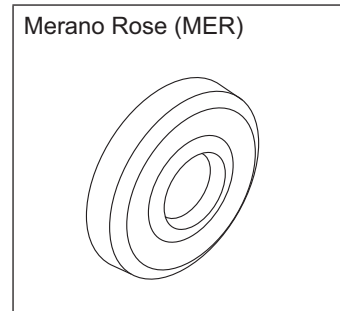
2 1/8" diameter



2 9/16" diameter

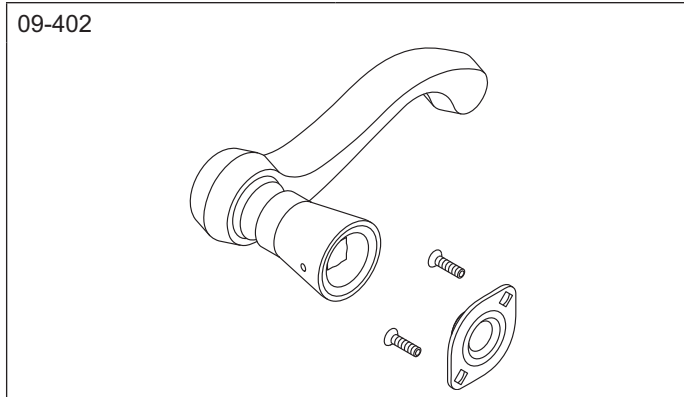


2 5/8" diameter



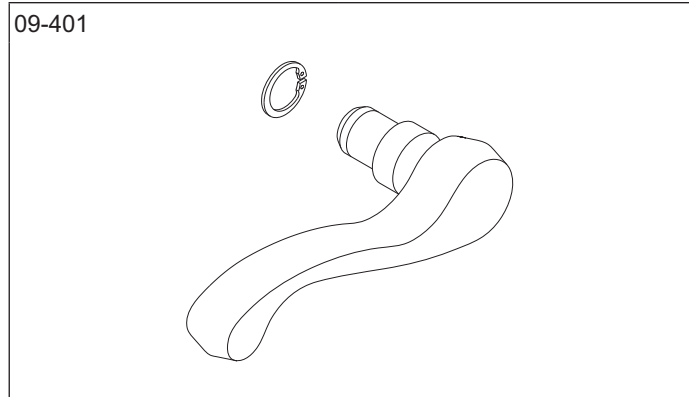
2 5/8" diameter

Inside Lever Assembly (Bushing attached at factory)



Furnished with spanner wrench.

Outside Lever Assembly

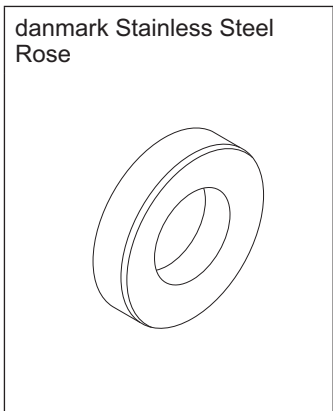
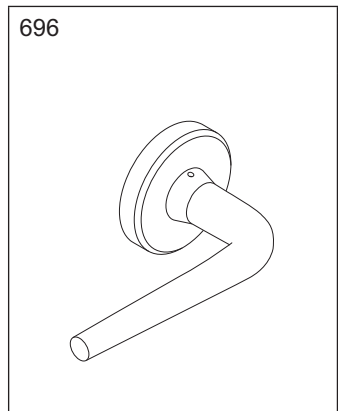
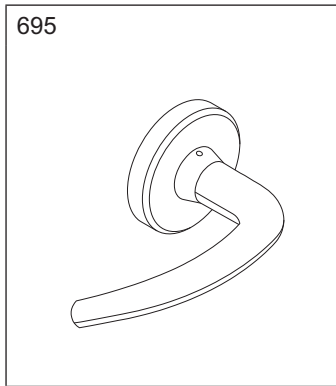
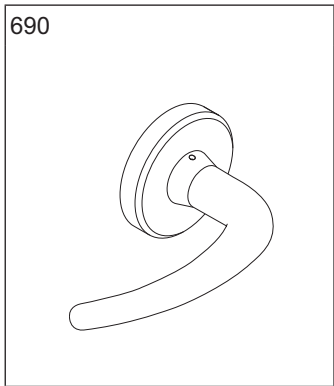
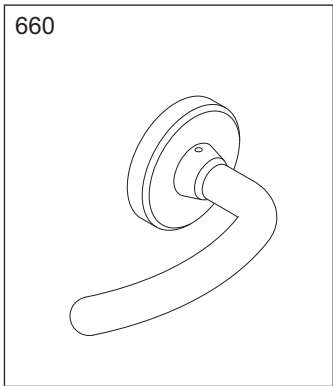
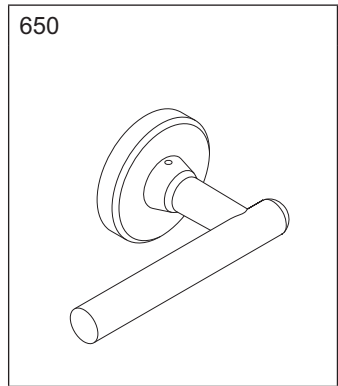
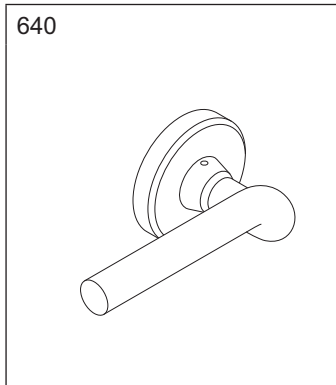
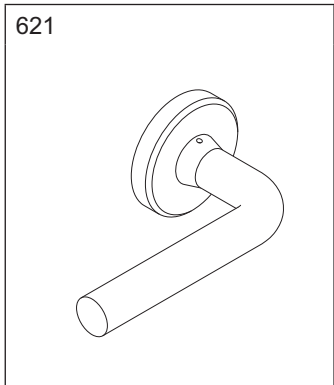
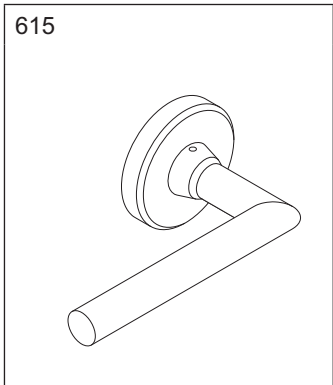
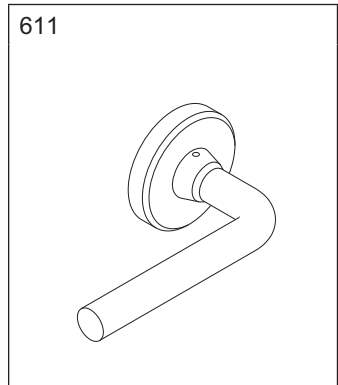


Furnished with retainer seating tool.

NOTE: See Schlage Commercial Price Book for available finishes.

danmark Stainless Steel Levers

630 Satin Stainless Steel Finish

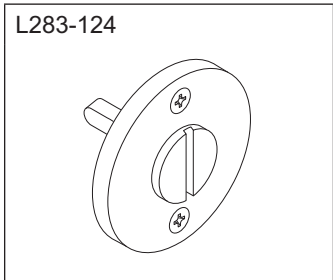


2 1/8" diameter

Trim Options

Coin Turn

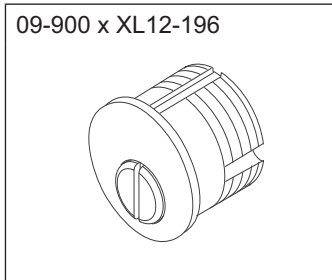
L283-124



Coin turn for rose trim. Specify finish and door thickness. Available with Torx screws, specify L283-065.

Coin Turn and Plug

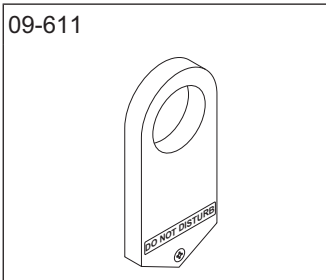
09-900 x XL12-196



Specify dimension, finish and door hand. If handing is not required, specify NH (non-handed).

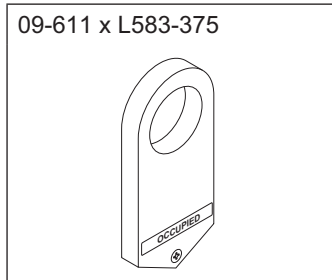
"Do Not Disturb" Indicator

09-611



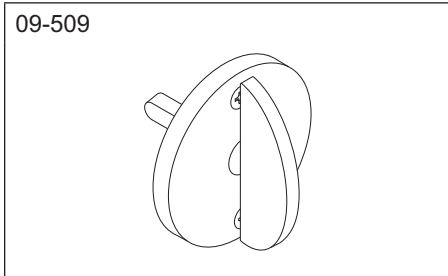
"Occupied" Indicator

09-611 x L583-375



Thumbturn

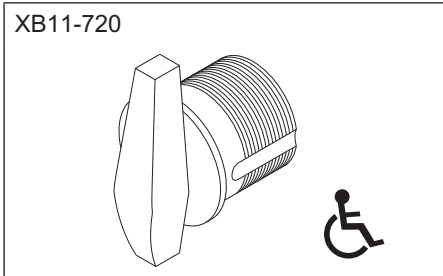
09-509



Thumbturn for deadbolt functions and privacy locks with rose trim. Specify finish and door thickness.

ADA Cylinder Turn

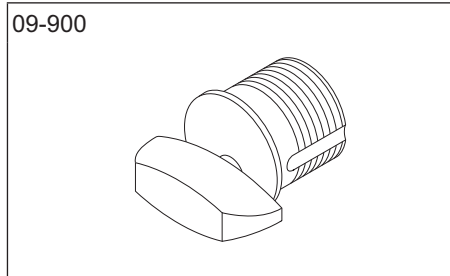
XB11-720



Available with L463 and L9463 locks. Specify per XB11-720, dimension, finish and door hand. If handing is not required, specify NH (non-handed). When ordered alone, specify either 09-900, 09-904, 09-905 or 09-907 per XB11-720.

Cylinder Turn

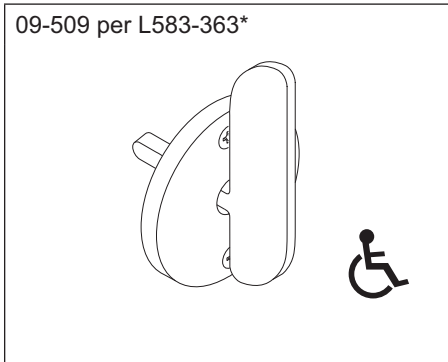
09-900



09-900 through 09-907 Cylinder Classroom turns are furnished with L463 and L9463 locks. Specify dimension, finish and door hand. If handing is not required, specify NH (non-handed). For handing instructions, see page 118.

"EZ" Thumbturn (ADA) for Rose Trim

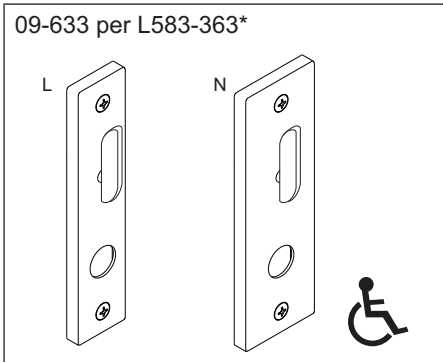
09-509 per L583-363*



Not available for L463 or L9463 functions.

"EZ" Thumbturn (ADA) x Knob/ Lever with L or N Escutcheon

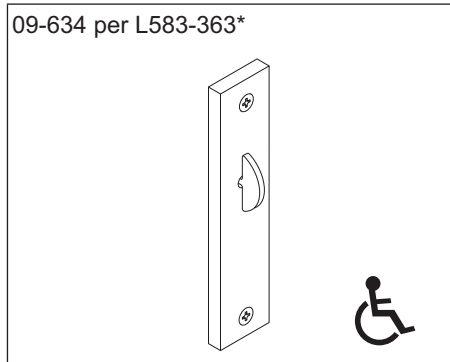
09-633 per L583-363*



Not available for L9463 functions.

"EZ" Thumbturn (ADA) x Blank with L Escutcheon

09-634 per L583-363*



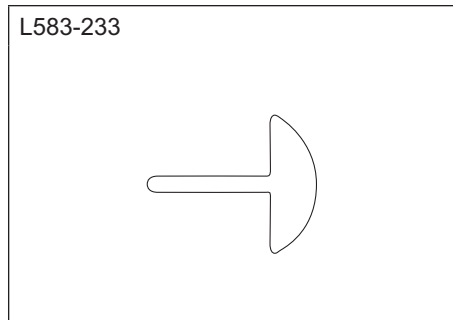
Not available for L9463 functions.

* EZ Turn is not available on doors less than 1 5/8" thick.

NOTE: When ordering trim parts, specify the complete design and finish (e.g. 09-633-03L 605).

Trim Options

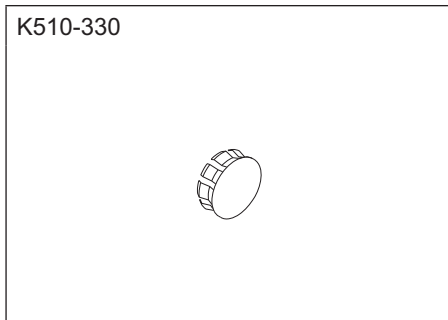
Emergency Turn



L583-233

Furnished with L9040 and L9440.

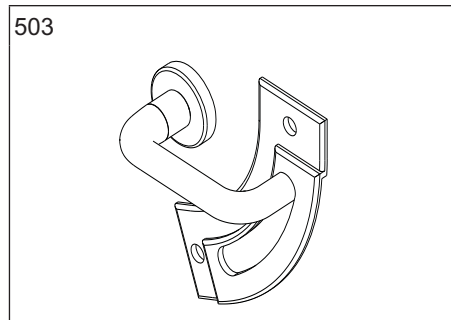
Emergency Button



K510-330

Furnished with L9040 and L9440. Specify finish.

Modified Inside and Outside 03 Lever for Folger Adam Co.® Lever Trak™

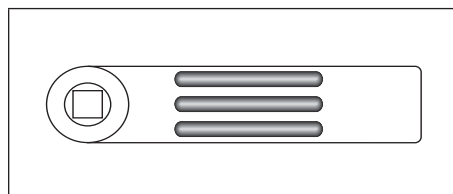


503

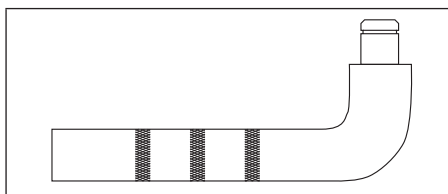
09-401, 09-402, or 09-506 per 503 Available for rose trim only. Lever Trak is not included.

Tactile Warning (Knurling)

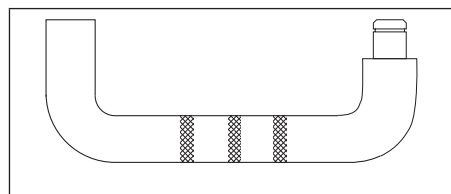
Applied to outside knob/lever only unless otherwise specified. Not available on stainless steel levers.



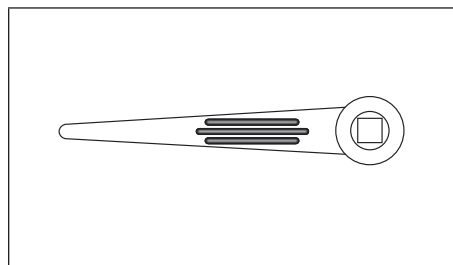
Milling pattern for backside of 01, 06, 07, 17, and 18 levers.



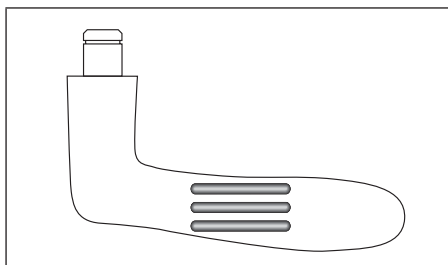
Knurling pattern for 02 lever.



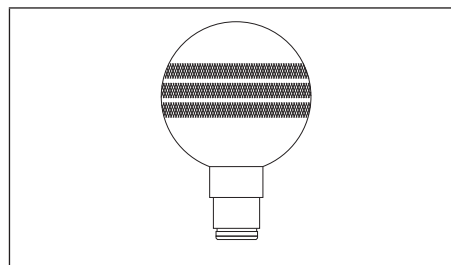
Knurling pattern for 03 lever.



Milling pattern for backside of 05 lever.



Milling pattern for underside of 12 lever. Specify door hand.



Knurling pattern for 42 knob. Tactile warning is available for 41 and 42 knobs except for 629 and 630 finish.

NOTE: To specify knurling, place the number 8 in front of the lever design code (e.g. 801 for lever design 01 with knurling).

Trim Assembly Parts

Escutcheon Thru-Bolt/Screws

Two required per lock

Part Number	Specify Finish	Description	Door Thickness
L583-119	•	L Escutcheon Thru-Bolts/Screws	1 $\frac{3}{8}$ "
L583-120	•		1 $\frac{3}{4}$ "
L583-121	•		2"
L583-122	•		2 $\frac{1}{4}$ "
L583-123	•		2 $\frac{1}{2}$ "
K510-389	•	N Escutcheon Thru-Bolts/Screws	1 $\frac{3}{4}$ "
K510-390	•		2-2 $\frac{1}{4}$ "
L583-287	•	L Escutcheon Thru-Bolts/Screws, L0170 Single	-
L583-133	•	N Escutcheon Thru-Bolts/Screws, L0170 Single	-

Standard Screw Packs

Part Number	Specify Finish	Description	Contents
C203-736	455	Lock Case Mounting Screws	(2) C603-256, #12-24 WMS PFH
C203-736	•	Strike Screws	(2) C603-256, #12-24 WMS PFH
K110-020	•	Armor Mounting Screws	(2) K510-210, #8-32 x $\frac{1}{4}$ " PFHMS
K110-947	•	Rose Trim Thumbturn Screws	(2) K510-445, #4 x $\frac{1}{2}$ " POH AB
L283-100		Trim Mounting Screws and Posts, 1 $\frac{3}{4}$ " Doors	(2) L583-066, #8-32 x $\frac{5}{8}$ " PFH (2) L583-212, 1 $\frac{3}{4}$ " Ferrule
L283-101	•	L Escutcheon Thru-Bolts, 1 $\frac{3}{4}$ " Doors	(2) L583-120

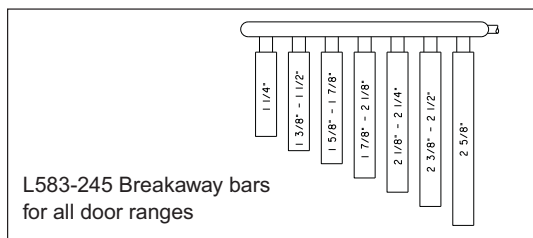
Tamper Resistant Torx Screw Packs

Part Number	Specify Finish	Description	Contents
L283-121	•	Rose Trim without Thumbturn	(2) Armor screws, L583-370, #8-32 x $\frac{1}{4}$ " (T-15) (2) Strike screws, L583-371, #12-24 x $\frac{1}{2}$ " (T-20)
L283-123	•	L Escutcheon Trim for 1 $\frac{3}{4}$ " Doors	(2) Armor screws, L583-370, #8-32 x $\frac{1}{4}$ " (T-15) (2) Strike screws, L583-371, #12-24 x $\frac{1}{2}$ " (T-20) (2) Esc. mtg. screws, L583-373, $\frac{1}{4}$ -28 x 2 $\frac{1}{8}$ " (T-30)
L283-122	•	Rose Trim with Thumbturn	(2) Armor screws, L583-370, #8-32 x $\frac{1}{4}$ " (T-15) (2) Strike screws, L583-371, #12-24 x $\frac{1}{2}$ " (T-20) (2) Thumbturn screws, L583-372, #4 x 2 $\frac{1}{2}$ " (T-8)
XL11-848	•	N Escutcheon Trim for 1 $\frac{3}{4}$ " Doors	(2) Armor screws, L583-370, #8-32 x $\frac{1}{4}$ " (T-15) (2) Strike screws, L583-371, #12-24 x $\frac{1}{2}$ " (T-20) (2) Esc. mtg. screws, L583-373, $\frac{1}{4}$ -28 x 2 $\frac{1}{8}$ " (T-30)

NOTE: Torx screw packs are furnished with appropriate T-xx installation tools.

Drivers to Operate Occupancy Indicator

(L496, L/LV9486 and L/LV9496 functions)



Trim Assembly Parts

Mounting Posts

Two required per lock

L Functions	
Part Number	Door Thickness
L583-211	1 3/8"
L583-212	1 3/4"
L583-213	2"
L583-215	2 1/2"
L583-216	2 3/4"
L583-217	3"
L583-218	3 1/4"
L583-219	3 1/2"

LV Functions	
Part Number	Door Thickness
N/A	1 3/8"
L583-497	1 3/4"
L583-498	2"
L583-500	2 1/2"
L583-501	2 3/4"
L583-502	3"
L583-503	3 1/4"
L583-504	3 1/2"

Spindles and Springs

Two required per lock

Part Number	Description
L283-060	1 3/8"–1 7/8" doors
L283-061	2"–3 1/2" doors
L283-064*	L0172 double dummy L9082 EL/EU
L283-065*	L0170 single dummy

Mounting Plate for Trim One Side Only

DOOR DETAIL

For location of cylinder and/or thumbturn holes, as well as all other dimensions, see appropriate lock function template.

NOTE: PREPARE DOOR FOR ROSE TRIM ON ONE SIDE OF DOOR ONLY.

SCHLAGE®

Installation Instructions

L-Series

Mounting plate for trim one side

©2001 Schlage Lock Company
Printed in U.S.A.
P513-301 Rev. 01/01

IR Security & Safety

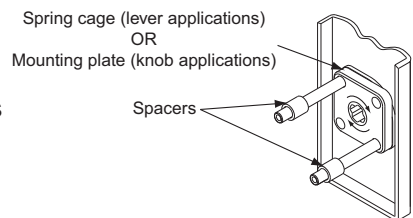
L283-150 Mounting Plate and Posts for rose trim on one side of door. For lever use with Spring Cage L283-031, for knob use with Mounting Plate L583-321.

ANSI A115.1 1990 Hollow Steel Door Installations



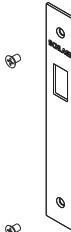


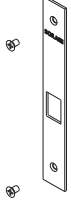
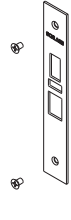






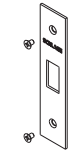
L283-029 For 1 3/4" thick hollow steel doors prepared per ANSI A115.1 1990.

Install two spacers between the spring cage (or knob mounting plate) and lock chassis as shown. Spacers are required for both the inside and outside escutcheons.

NOTE: L-design escutcheons are not applicable for ANSI A115.1 door preparations.

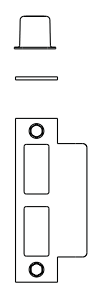
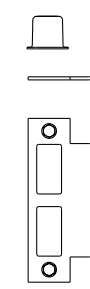
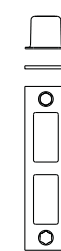
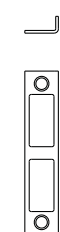
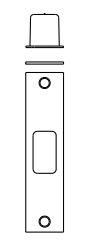
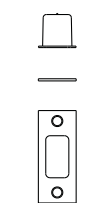
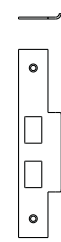
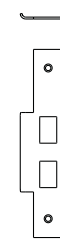
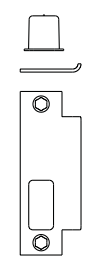
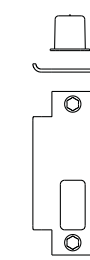




Armor Fronts

1/4" Square Corner	1/16" Square Corner*	Function and Description	1/4" Square Corner	1/16" Square Corner*	Function and Description
09-661 	09-667 	Blank L9110 L9175 L9176	09-665 	09-671 	Deadbolt L9460 L9462 L9463 L9464
09-662 	09-668 	Latch UL L9010 L9040 LV9040 L9044 LV9044	09-666 	09-672 	Latch x Aux Latch x Deadbolt UL L9453 LV9482 LV9453 L9485 L9480 LV9485 LV9480 L9486 L9482 LV9486
09-663 	09-669 	Latch x Auxiliary Latch UL L9050 LV9070 LV9050 L9071 L9056 LV9071 LV9056 L9080 L9060 L9082 LV9060 LV9082 L9070	09-713 	—	Latch x Auxiliary Latch (holdback) L9076 LV9076 L9077 LV9077
09-664 	09-670 	Latch x Deadbolt UL L9440 LV9457 LV9440 L9465 L9444 L9466 LV9444 L9473 L9456 L9496 LV9456 LV9496 L9457	09-717 	—	Deadbolt L460 L462 L463 L464 L480 L496

* For use with 1 3/8" thick doors. Use with 1/16" Faceplate Tab, L583-427.

Strikes

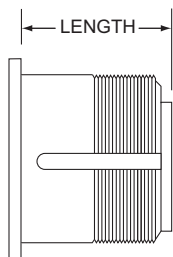
<p>Square Corner 10-072</p> <p>Standard 1³/₁₆" Lip</p>  <p>Size: 4⁷/₈" x 1¹/₄"</p>	<p>Square Corner 10-072</p> <p>7⁷/₈", 1", 1¹/₂", 1³/₄" or 2" Lip</p>  <p>Size: 4⁷/₈" x 1¹/₄"</p>	<p>Square Corner 10-073</p> <p>No Lip</p>  <p>Size: 4⁷/₈" x 1¹/₄"</p>	<p>Square Corner 10-075</p> <p>No Lip</p>  <p>Size: 4⁷/₈" x 1"</p>
<p>Square Corner 10-078</p> <p>L400 Series No Lip</p>  <p>Size: 4⁷/₈" x 1¹/₄"</p>	<p>Square Corner 10-079</p> <p>L400 Series No Lip</p>  <p>Size: 3¹/₂" x 1¹/₈"</p>	<p>Square Corner 10-091</p> <p>L & RR (Armor) 1³/₁₆" Lip</p>  <p>Size: 8" x 1¹/₄"</p>	<p>Square Corner 10-091</p> <p>R & LR (Armor) 1³/₁₆" Lip</p>  <p>Size: 8" x 1¹/₄"</p>
<p>Square Corner XL11-820</p> <p>R & LR 1³/₁₆" Lip</p>  <p>Size: 4⁷/₈" x 1¹/₄"</p>	<p>Square Corner XL11-821</p> <p>L & RR 1³/₁₆" Lip</p>  <p>Size: 4⁷/₈" x 1¹/₄"</p>	<p>Strike Reinforcer 37-015</p> <p>L9000 Series 1¹/₄" Radius Round Corner</p>  <p>Size: 4⁷/₈" x 1¹/₄"</p>	<p>Strike Box K510-066</p> <p>Size: 4¹³/₁₆" x 1¹/₄" x 1⁵/₁₆"</p> 

Strike Dimensions and Components

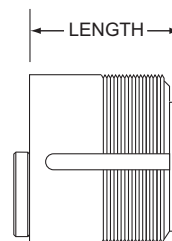
Part Number	Lip	Lock Series	Door Range	Box	Screw 2 ea.
10-072*	1"	L9010 to L9496	2"	K510-066	C603-256
	1 ³ / ₁₆ "		1 ³ / ₈ "-1 ⁷ / ₈ "	K510-066	C603-256
	1 ¹ / ₂ "		1 ⁷ / ₈ "-2 ¹ / ₈ "	K510-066	C603-256
	1 ³ / ₄ "		2 ¹ / ₈ "-2 ⁵ / ₈ "	K510-066	C603-256
	2"		2 ⁵ / ₈ "-3 ¹ / ₈ "	K510-066	C603-256
	7 ⁷ / ₈ "		—	K510-066	C603-256
10-073	—	L9000 Series	—	K510-066	C603-256
10-075***	—		—	—	C603-256
10-078	—		—	K510-066	C603-256
10-079	—	L400 Series	—	K510-053	C603-256
10-091**	1 ³ / ₁₆ "	L9175, L9176	1 ³ / ₈ "-1 ⁷ / ₈ "	—	K510-210
XL11-820**, XL11-821**	1 ³ / ₁₆ "	L9000 Non-Deadbolt Functions	1 ³ / ₈ "-1 ⁷ / ₈ "	K510-066	C603-256
37-015	—	L9000	—	—	—

Cylinder Specifications

How to Measure Cylinder Lengths



Full Face and Interchangeable Core



Concealed

Cylinder Length Dimension Chart

Cylinder Length	Dimension
1 1/8"	118
1 1/4"	114
1 3/8"	138
1 1/2"	112
1 5/8"	158
1 3/4"	134

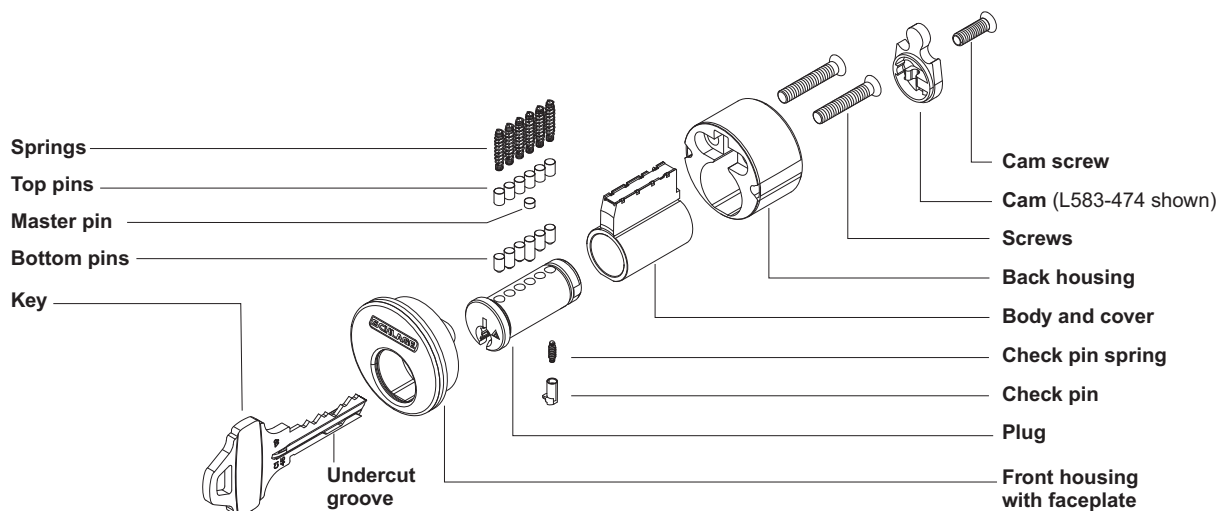
L-Series and LV-Series Cylinder and Length Requirements

Function	Trim	Cylinder	Door Thickness			
			1 3/8"	1 3/4"	2"	2 1/4"
			Dimension			
L9050, L9056, L9070, L9076, L9080, L9453, L9456, L9460 per XL11-635/886, L9464 per XL11-886, L9465, L9473, L9480	Rose	30-001	118	118	118	118
	Escutcheon	30-021	118	114	138	112
	Concealed	30-004	118	114	138	112
L9485	Rose	30-002	—	118	118	118
	Escutcheon	30-022	—	114	138	112
	Concealed	30-005	—	114	138	112
L9486	Rose	30-002	114	138	112	158
	Escutcheon	30-022	118	114	138	112
	Concealed	30-005	118	114	138	112
L9496	Rose	30-001	114	138	112	158
	Escutcheon	30-021	118	114	138	112
	Concealed	30-004	118	114	138	112
L9060 Inside, L9071, L9077, L9082, L9082EL/EU, L9457, L9462 per XL11-886, L9464, L9466, L9482	Rose	30-001	118	118	118	118
	Escutcheon	30-001	114	—	—	—
		30-021	—	118	114	138
Concealed	30-004	—	118	114	118	
L9060 Outside	Rose	20-001	118	118	118	118
	Escutcheon	20-001	114	—	—	—
		26-021	—	118	114	138
Concealed	26-023	—	118	114	138	
L460, L462, L463, L464, L496, L9460, L9462, L9463, L9464	Rose Trim Only	30-001	118	118	118	118

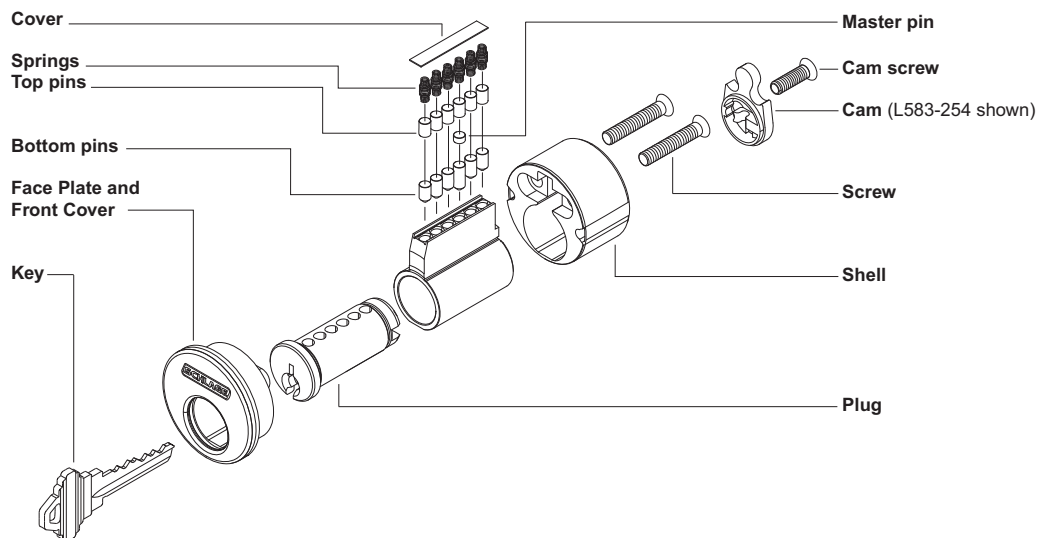
NOTE: Blocking ring and/or compression rings may be required and must be ordered separately.

Full Face Cylinders

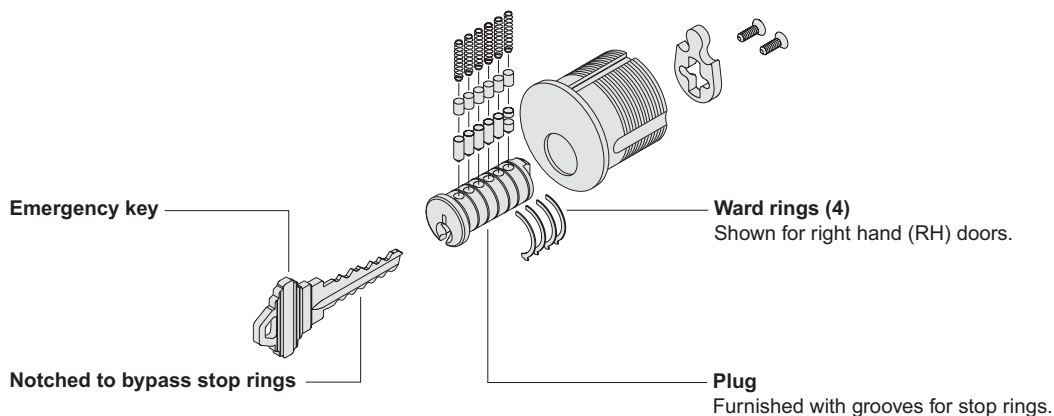
Exploded View—Everest® Modular Mortise Cylinder



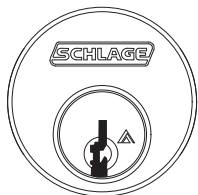
Exploded View—Classic Mortise Cylinder



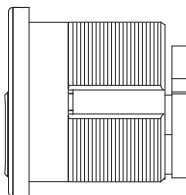
Exploded View—Hotel Mortise Cylinder



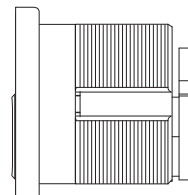
Full Face Cylinders



Front

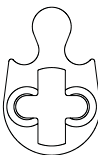





Cylinder Only

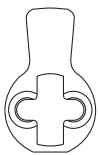





Cylinder with Compression Ring & Spring

L-Series and LV-Series (except L9060/LV9060 Outside)

Description	Cylinder Mechanism	Complete Cylinder	Cams	
Cylinder Only: L & N Escutcheons	Conventional	30-021	Traditional Cams	
	Primus® Controlled Access	20-793	L583-254 Classic Conventional	L583-153 Everest® and Primus®
	Primus® XP Controlled Access	20-793-XP		
	Primus® UL437	20-593		
	Primus® XP UL437	20-593-XP		
	Hotel Function	30-022*		
Cylinder with Compression Ring & Spring: Rose Trim	Conventional	30-001	Modular Cams	
	Primus® Controlled Access	20-787	L583-474	L583-475
	Primus® XP Controlled Access	20-787-XP		
	Primus® UL437	20-587		
	Primus® XP UL437	20-587-XP		
	Primus® Lockout	20-717		
	Primus® XP Lockout	20-717-XP		
	Primus® UL437 Lockout	20-517		
	Primus® XP UL437 Lockout	20-517-XP		
Hotel Function	30-002*			

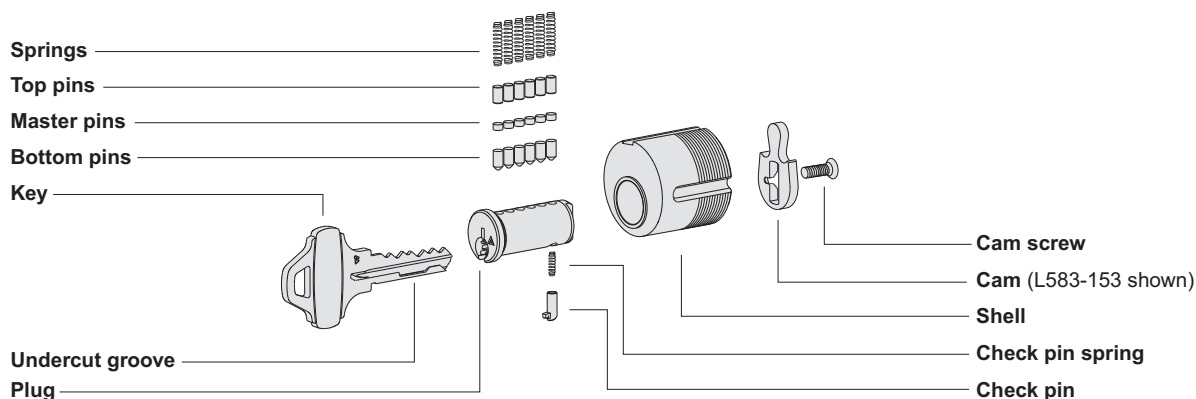
L-Series and LV-Series L9060/LV9060 Outside

Description	Cylinder Mechanism	Complete Cylinder	Cams	
Cylinder Only: L & N Escutcheons	Conventional	26-021	Traditional Cams	
	Primus® Controlled Access	20-701	B502-191 Conventional	B502-948 Everest® and Primus®
	Primus® XP Controlled Access	20-701-XP		
	Primus® UL437	20-501		
	Primus® XP UL437	20-501-XP		
Conventional	20-001	Modular Cams		
Cylinder with Compression Ring & Spring: Rose Trim	Primus® Controlled Access	20-700	L583-476	L583-477
	Primus® XP Controlled Access	20-700-XP		
	Primus® UL437	20-500		
	Primus® XP UL437	20-500-XP		
	Primus® Lockout	20-715		
	Primus® XP Lockout	20-715-XP		
	Primus® UL437 Lockout	20-515		
	Primus® XP UL437 Lockout	20-515-XP		
Cylinder with Compression Ring & 1/8" Blocking Ring	Conventional	20-002		

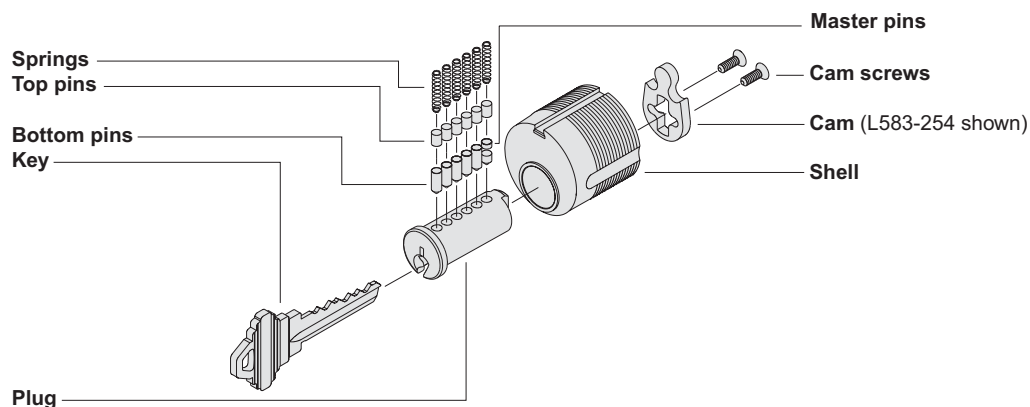
* Specify hand for hotel function cylinders. Not available in Primus®. Furnished 0-bitted; emergency keys must be ordered separately.
 NOTES: Lockout keys are not furnished with cylinders and must be ordered separately.
 Lockout cylinders will not be master keyed by Schlage.

Concealed Cylinders

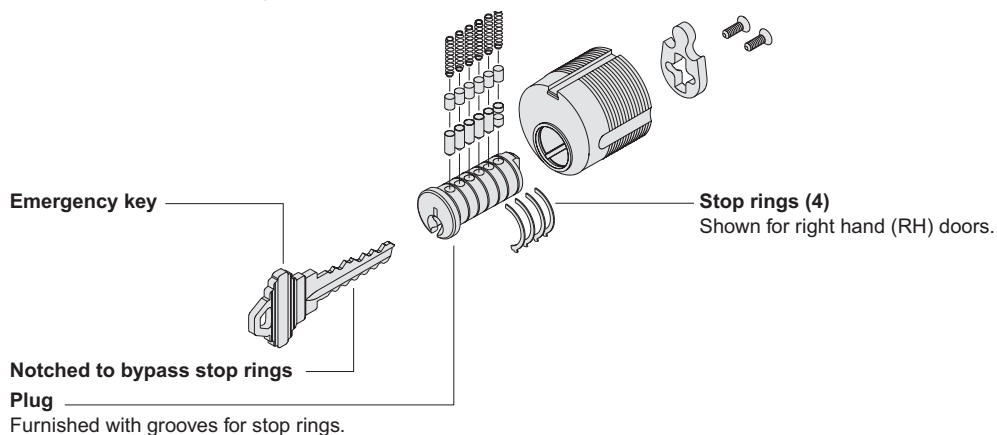
Exploded View—Everest[®] Mortise Cylinder



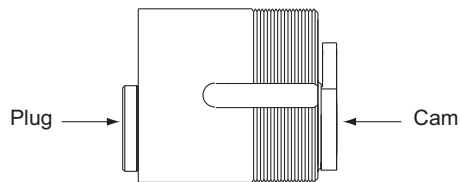
Exploded View—Classic Mortise Cylinder



Exploded View—Hotel Mortise Cylinder



Concealed Cylinders



L-Series and LV-Series (except L9060/LV9060 Outside)

Description	Cylinder Mechanism	Complete Cylinder	Cam	
			L583-254 Conventional	L583-153 Everest® and Primus®
Cylinder Only: L Escutcheon	Conventional	30-004		
	Primus® Controlled Access	20-789		
	Primus® XP Controlled Access	20-789-XP		
	Primus® UL437	20-589		
	Primus® XP UL437	20-589-XP		
	Hotel Function	30-005*		

L-Series and LV-Series L9060/LV9060 Outside

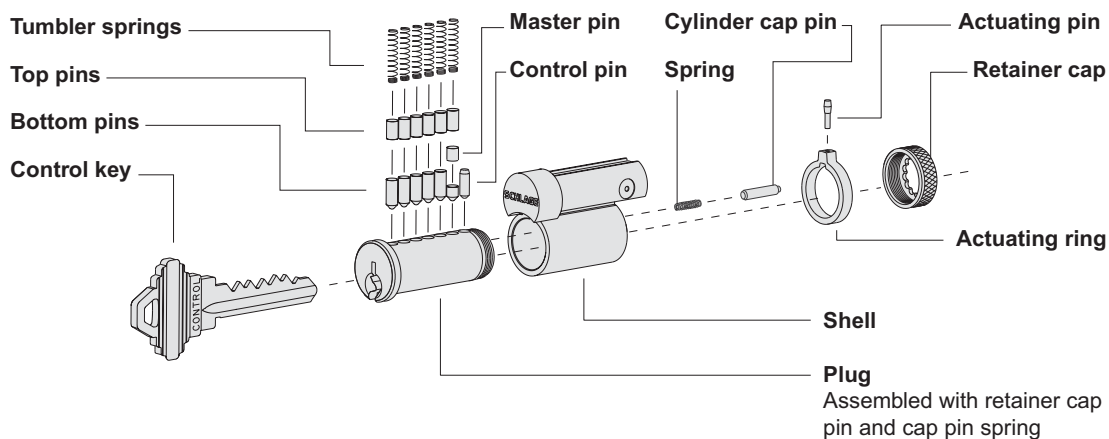
Description	Cylinder Mechanism	Complete Cylinder	Cam	
			B502-191 Conventional	B502-948 Everest® and Primus®
Cylinder Only: L Escutcheon	Conventional	26-023		
	Primus® Controlled Access	24-767		
	Primus® XP Controlled Access	24-767-XP		
	Primus® UL437	24-567		
	Primus® XP UL437	24-567-XP		

* Specify hand for hotel function cylinders. Not available in Primus®. Emergency keys must be ordered separately.

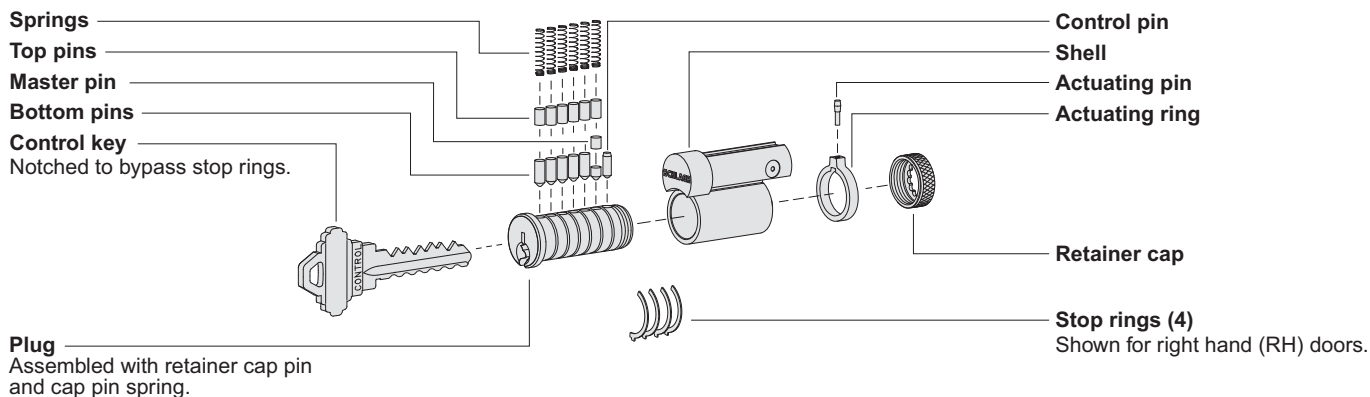
- NOTES: 1) Everest® hotel function cylinders are available in 1½", 1¼", and 1⅜" only.
 2) 1½" (Dim=118) cylinders are furnished unless otherwise specified. Cylinder length depends on function, trim and door thickness.
 3) Finishes: 606 and 626.
 4) Specify LKB if 0-bitted Primus cylinders are required less key blanks.
 5) Extended lengths are available.

Full Size Interchangeable Cores

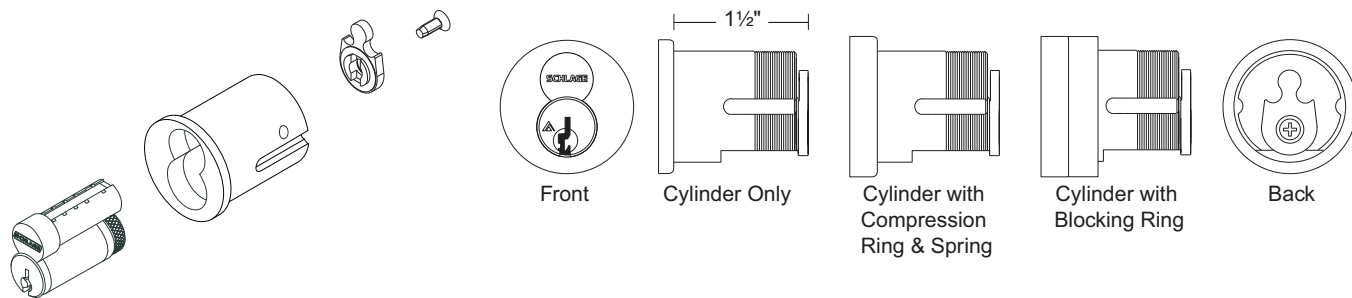
Exploded View—Full Size Classic



Exploded View—Full Size Hotel Classic



Full Size Interchangeable Cores



L-Series and LV-Series (except L9060/LV9060 Outside)

Description	Cylinder Mechanism	Complete Cylinder	Cam
Cylinder Only: L & N Escutcheons	Housing Less Core	30-016	
Cylinder with Compression Ring & Spring: L & N Escutcheons	Conventional Core	30-008*	
	Primus® Core	20-798	
	Primus® XP Core	20-798-XP	
	Hotel Function	30-010**	
	Housing Less Core	30-007	
Cylinder with Compression Ring, Compression Spring and 3/8" Blocking Ring: Rose Trim	Conventional Core	30-138*	
	Primus® Core	20-776	
	Primus® XP Core	20-776-XP	
	Hotel Function Core	30-140**	
	Housing Less Core	30-137	

L-Series and LV-Series L9060/LV9060 Outside

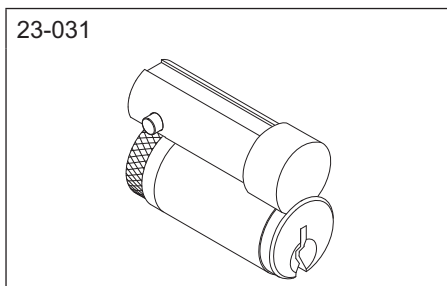
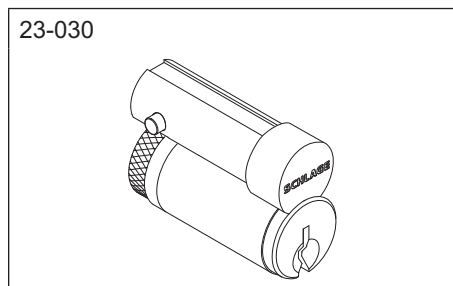
Description	Cylinder Mechanism	Complete Cylinder	Cam
Cylinder Only: L & N Escutcheons	Housing Less Core	30-032	
Cylinder with Compression Ring & Spring: L & N Escutcheons	Conventional Core	30-030*	
	Primus® Core	20-782	
	Primus® XP Core	20-782-XP	
Cylinder with Compression Ring, Compression Spring and 1/2" Blocking Ring: Rose Trim***	Primus® Core	20-783	
	Primus® XP Core	20-783-XP	

* Can be ordered with construction core.

** Specify hand for hotel function cylinders. Not available in Primus®. Emergency key must be ordered separately.

*** For this configuration with conventional core, order 30-030 cylinder and 36-082-050 blocking ring.

Full Size Interchangeable Cores



Full Size Cores

Part Number	Description
23-030	Conventional Core
23-031	Conventional Core less logo
20-740	Primus® Core
20-740-XP	Primus® XP Core
20-741	Primus® Core less logo
20-741-XP	Primus® XP Core less logo
30-120*	Hotel Function Conventional Core for L9485 and L9486
30-121*	Hotel Function Conventional Core, less logo, for L9485 and L9486

Full Size Core Parts

Part Number	Description
C503-115	Cap Pin Spring (Order in multiples of 100)
C503-118	Retainer Cap (Order in multiples of 25)
C603-347**	Cap Pin (Order in multiples of 100)
C603-827	Cap Pin (Order in multiples of 100)
C603-956	Actuating Ring
C603-964	Actuating Pin (Control top pin)
C603-967	Control Bottom Pin (Order in multiples of 100)

* Specify hand for hotel function cores. Emergency keys must be ordered separately.

** For cores manufactured before November 1997.

NOTES: 1) Control keys must be ordered separately.

2) Finishes: 606 and 626.

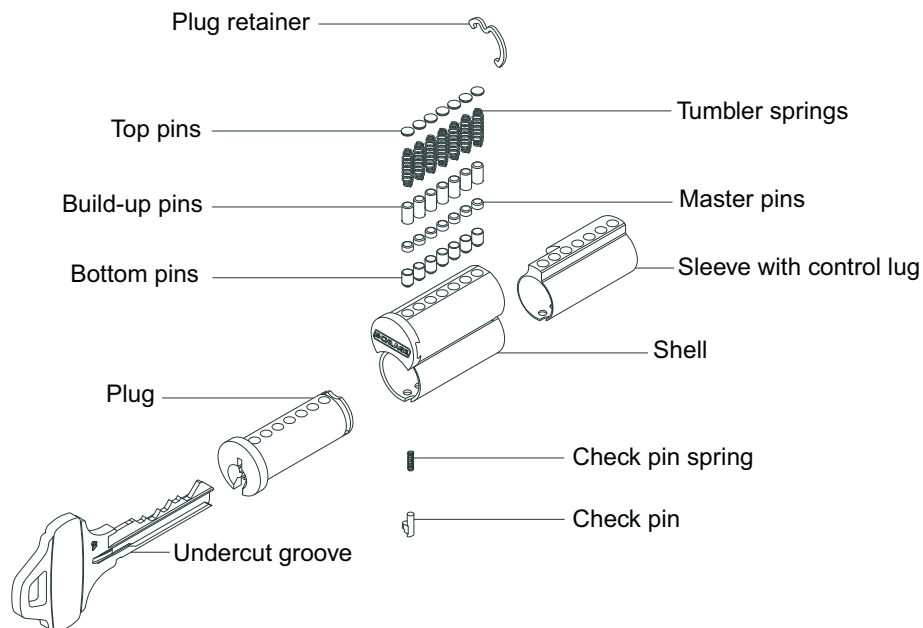
3) Full size cores, conventional and Primus®, can be integrated into any Schlage key system with compatible Everest® or Classic keyways.

4) Primus® cores can be integrated into any Schlage 6-pin key system with compatible Primus keyways.

5) Primus® cores are Controlled Access. Specify LKB if 0-bitted Primus cores are required less key blanks.

Small Format Interchangeable Core

Exploded View – Small Format Everest® Keyways

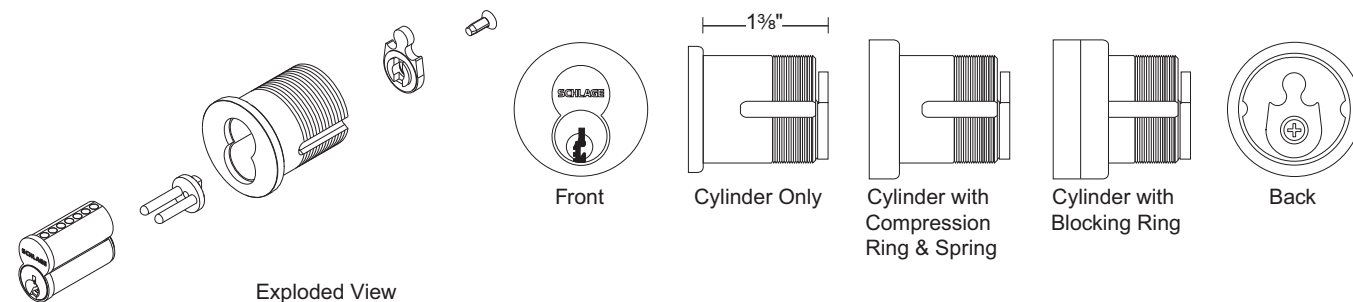


Everest® Patented Keyway Cores

Part Number	Description	80-036/80-037
80-037	Everest® Combined Core, includes master keying	
80-036	Everest® Uncombined Core	



- NOTES: 1) Finishes: 606, 613, and 626.
 2) Everest® B family keyways are restricted.
 3) Key symbol must be specified for combined cores.
 4) Uncombined cores are furnished less keys, pins, and springs.
 5) Control keys must be ordered separately.
 6) Specify 80-035 for construction cores.

Small Format Interchangeable Core

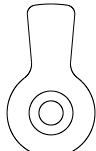


Exploded View


L-Series and LV-Series (except L9060/LV9060 Outside)

Description	Cylinder Mechanism		Complete Cylinder	Cam
Cylinder with Compression Ring & Spring: L & N Escutcheons	Everest® Restricted Combined Core		80-308	L583-255 
	Construction Core	Disposable	80-115	
		Keyed	80-138	
	Housing Less Core		80-108	
Cylinder with Compression Ring, Compression Spring and 1/4" Blocking Ring: Rose Trim	Everest® Restricted Combined Core		80-301	
	Construction Core	Disposable	80-109	
		Keyed	80-131	
	Housing Less Core		80-101	

L-Series and LV-Series L9060/LV9060 Outside

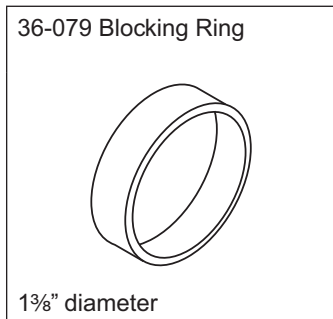
Description	Cylinder Mechanism		Complete Cylinder	Cam
Cylinder with Compression Ring & Spring: L & N Escutcheons*	Everest® Restricted Combined Core		80-304	K510-680 
	Construction Core	Disposable	80-112	
		Keyed	80-134	
	Housing Less Core		80-104	

Other Straight Cam Applications

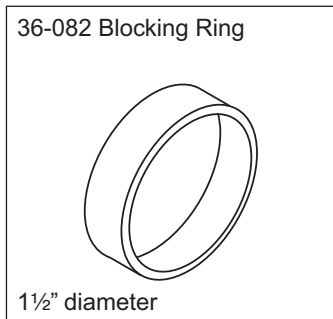
Description	Cylinder Mechanism		Complete Cylinder	Cam
Cylinder with Compression Ring, Compression Spring and 1/4" Blocking Ring	Everest® Restricted Combined Core		80-302	K510-730 
	Construction Core	Disposable	80-110	
		Keyed	80-132	
	Housing Less Core		80-102	

* For rose trim also order 36-082-050 blocking ring.

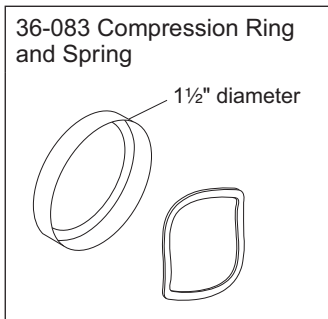
Blocking and Compression Rings



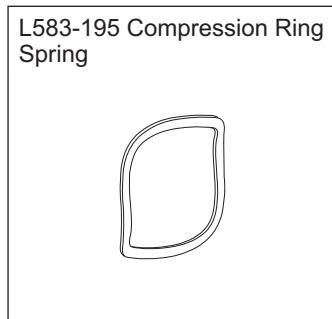
Specify dimension. Not to be used with 36-083.



Specify dimension. Use with 36-083.



Specify dimension.



Dimensions for Blocking Rings

Blocking Ring Length	Dimension
1/8"	012
3/16"	018
1/4"	025
5/16"	031

Blocking Ring Length	Dimension
3/8"	037
7/16"	043
1/2"	050

Full Size Core Blocking Ring Requirements, L-Series and LV-Series

Function	Trim	Door Thickness			
		1 3/8"	1 3/4"	2"	2 1/4"
		Dimension			
L9050, L9056, L9070, L9076, L9080, L9080EL/EU L9453, L9456, L9460 per XL11-635 or XL11-886, L9464 per XL11-886, L9465, L9473, L9480	Rose	050	037	025	025
	Escutcheon	025	012	N/R	N/R
L9485	Rose	—	037	025	025
	Escutcheon	—	012	N/R	N/R
L9486, L9496	Rose	012	N/R	N/R	N/R
	Escutcheon	025	012	N/R	N/R
L9060*, L9071*, L9077*, L9082*, L9457*, L9462 per XL11-886*, L9466*, L9482*	Rose	—	050	043	031
	Escutcheon	025	012	N/R	N/R
L460, L464, L496, L9460, L9464	Rose	050	037	025	025
L462*, L463*, L9462*, L9463*	Rose	—	050	043	031

SFIC Blocking Ring Requirements, L-Series and LV-Series

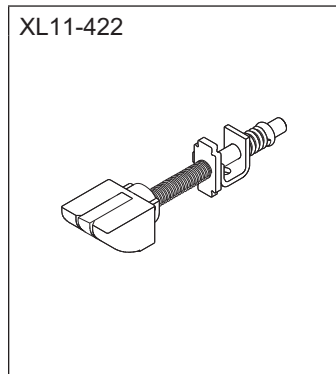
Function	Trim	Door Thickness			
		1 3/8"	1 3/4"	2"	2 1/4"
		Dimension			
L9050, L9056, L9070, L9076, L9080, L9080EL/EU, L9453, L9456, L9460 per XL11-886 or XL11-635, L9464 per XL11-886, L9465, L9473, L9480, L9485, L9485 per XL11-557	Rose	037	025	012	N/R
	Escutcheon	N/R	N/R	N/R	N/R
L9060*, L9071*, L9077*, L9082*, L9082EL/EU*, L9457*, L9462 per XL11-886*, L9464*, L9466*, L9482*	Rose	—	050	037	025
	Escutcheon	018	N/R	N/R	N/R
L9496	Rose	025	012	N/R	N/R
	Escutcheon	N/R	N/R	N/R	N/R
L460, L464, L496, L9460, L9464	Rose	037	025	012	N/R
L462*, L463*, L9462*, L9463*	Rose	—	050	037	025

* Two (2) Blocking Rings required.

N/R = None required.

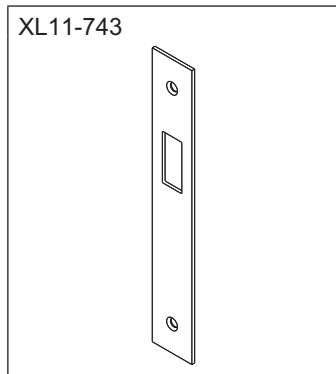
Special Options

Solid Latchbolt



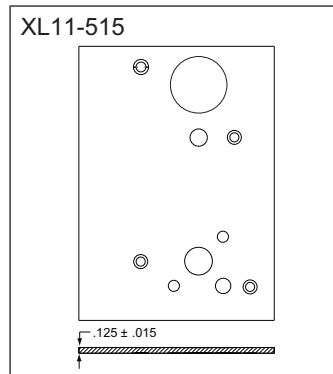
For use with electric strikes. The anti-friction tongue is replaced by a nylon insert to prevent interference with the strike gate.

Armor Front with Deadbolt Hole



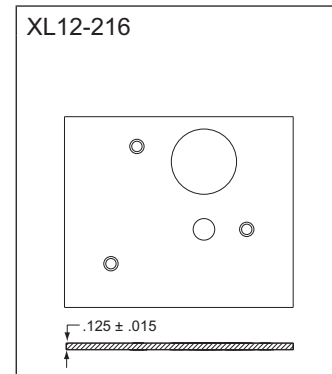
For use with dummy functions or inactive doors. Specify dummy function per XL11-743.

L9000 Lead Lining XL11-515

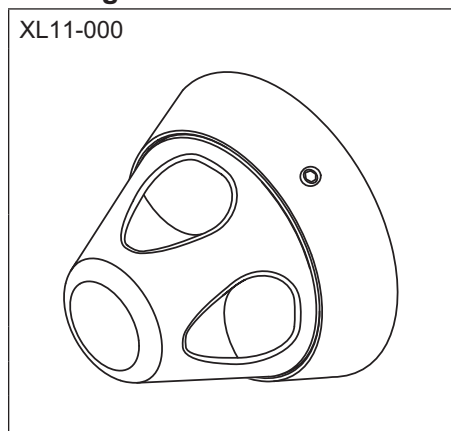


Lead plate installed on case cover. Buyer should verify that the preparation meets local installation requirements or regulations. Specify door hand.

L400 Lead Lining XL12-216

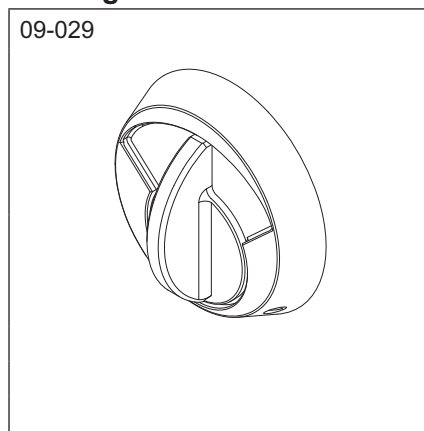


Anti-Ligature Knob Trim



Specify SK1 trim per XL11-000.

Anti-Ligature Thumbturn



Anti-Ligature Conversion Kits

Part Number	Functions
09-155	L9010, L9176, L9070, L9076, L9080, L9080EL, L9080EU, L9465, L9060, L9071, L9077, L9082, L9082EL, L9082EU, L9482, L9457, L9466
09-156	L9412, L9050, L9056, L9453, L9456, L9473, L9480, L9485, L9460 with pull
09-157	L9464, L464, L9462, L462
09-158	L480, L9460, L460
09-159	L9040, L9440

NOTES: 1) For knob only.
2) For 1 1/4" doors.
3) Available in 630 finish only. (For conversion from non-630 finish, order armor front, strike and cylinder separately.)

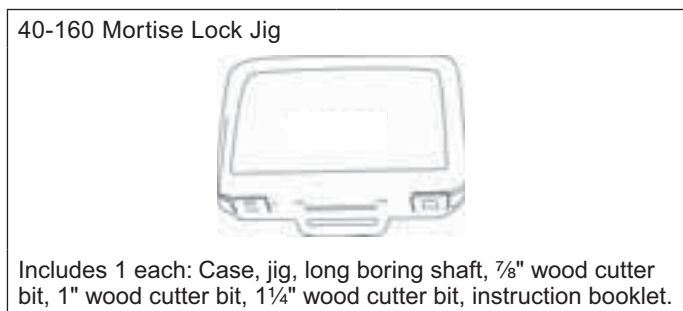
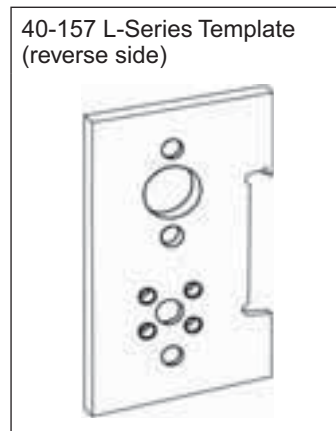
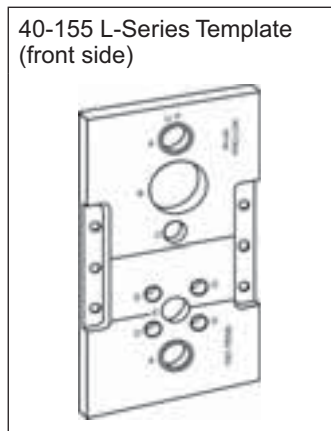
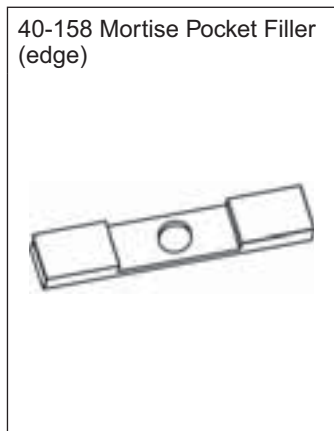
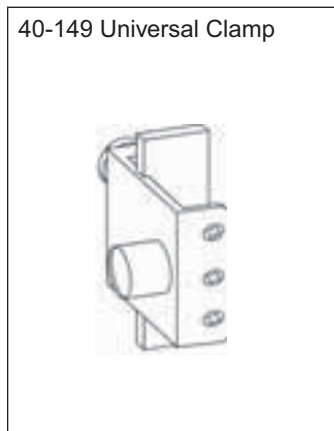
Special Cylinder Applications

"X" Number	Description
XB03-418	Extended mortise cylinder (20-001, 30-001 or 30-004), 1 7/8"–5" long, Classic or Everest®
XB11-475*	Full size IC extended mortise cylinder (26-091 or 30-008), 2 1/4"–5" long, Classic or Everest®
	Primus® full size IC extended mortise cylinder (20-763 or 20-798), 2 1/4"–5" long
	Full size IC mortise cylinder housing less core (20-059 or 30-007) 2 1/4"–5" long
XB11-638	Primus® mortise cylinder (20-700, 20-787, or 20-789), 1 7/8"–5" long

* Available in 1/4" increments. Order collars or blocking rings separately to fill gaps.

NOTES: 1) Specify complete cylinder as required, then "X" number (e.g. 20-001-118-P per XB11-475).
2) Primus cylinders are Controlled Access. Specify LKB if 0-bitted Primus® cylinders are required less key blanks.
3) Specify finish and dim code.

Installation Tools and Kits



40-054 Maintenance Kit Contents

#	Part No.	Desc.	Qty
1	C603-256-455	Screws, Mtg	6
	L583-035-STL	Spring, Turn Hub	6
	L583-053-604	Retractor, Simultaneous	3
	L283-040-604	Spring, Cage	6
2	L583-321-428	Plate, Mtg, IS, Knob	3
	L283-031-604	Plate, Mtg, IS, Lever	3
3	L583-454-604	Screw, Case	12
4	L583-049-604	Link, Entrance	2
	L583-051-604	Lever, Transfer	3
5	L583-056-604	Pin, Catch	3
6	L583-050-604	Pin, Link	3
	36-080	O-Ring	5
7	K110-020-455	Screw Pack	1
	K110-020-637	Screw Pack	1
	K110-020-640	Screw Pack	1
8	L583-144-PLA	Washer, Lever	25

#	Part No.	Desc.	Qty
9	L583-066-604	Screws, Mtg Post	6
	L583-212-604	Mtg Post 134 Dr	6
10	L583-029-604	Hub, Turn	3
11	L283-030-604	Tru-Arc Ring	1
12	L583-214-604	Mtg Post	6
13	L583-020-604	Spacer	3
	L583-021-604	Lever, Retractor	3
	L583-022-604	Rocker, Retractor	3
14	L583-023-604	Plate, Blocking	3
	L583-019-604	Hub, Retractor	6
15	L283-101-639	Bolts, Esc.	1
	L283-101-640	Bolts, Esc.	1
	L283-101-652	Bolts, Esc.	1
16	L583-196-604	Stop, Deadlatch	3
	L583-044-STL	Spring, Stop	3
17	L583-481-603	Screw, Retainer	3

#	Part No.	Desc.	Qty
17	L583-492-604	Plate, Screw	2
	L583-490-604	Retainer	2
18	L583-485-604	Screw, Catch	6
	L583-047-MW	Spring, Catch	2
19	L583-038-604	Guide, Aux. Bar	3
	L283-006-455	Latch, Aux.	3
20	L583-026-MW	Spring, Hub	3
	L583-027-PLA	Fuse, Fire Door	3
	L583-028-604	Catch, Fire Door	3
21	L583-024-604	Link, Retractor	3
	L583-025-604	Crank, Retractor	3
22	L583-030-604	Hub, Entrance	2
	L583-031-604	Cam, Follower	2
23	K110-953-455	Screw Pack, Mtg, Esc.	3
	K110-953-498	Screw Pack, Mtg, Esc.	3
	K110-953-613	Screw Pack, Mtg, Esc.	3

#	Part No.	Desc.	Qty
24	K510-310-STL	Tru-Arc Ring, Knob	25
	K510-239-PLA	Washer, Thrust	50
25	K110-550-STL	Tru-Arc Ring & Spacer	12
26	L583-322-428	Spacer, Lever	6
Bottom	L583-032-455	Deadbolt	3
	L583-033-604	Bar, Deadbolt	1
	L583-034-604	Bar, Entrance	1
	L583-146-604	Bar, Deadbolt	1
	L583-426-604	Faceplate, Tab 1 1/4"	2
	L583-427-604	Faceplate, Tab 1 1/16"	2
	L583-048-604	Link, Locking	2
	L583-045-604	Catch, Locking	3
	L283-060-604	Spindles	6
	40-053	Kit, Trim, Replacement	4
40-127	Tru-Arc Plier	1	
Top	P509-491	Sheet, Parts	1

Electrically Locking

L9080 EL Electrically Locked (Fail Safe):

Outside trim is continuously locked electrically. The latchbolt is retracted by a key outside or by the knob/lever inside. Switch or power failure allows the outside knob/lever to retract the latchbolt. The auxiliary latch deadlocks the latchbolt when the door is closed. The inside knob/lever is always free for immediate exit.

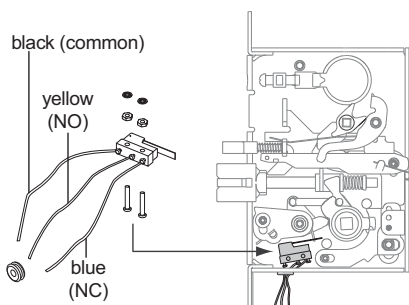
L9080 EU Electrically Unlocked (Fail Secure):

Outside trim is unlocked electrically. The latchbolt is retracted by a key outside or by knob/lever inside. The auxiliary latch deadlocks the latchbolt when the door is closed. The inside knob/lever is always free for immediate exit.

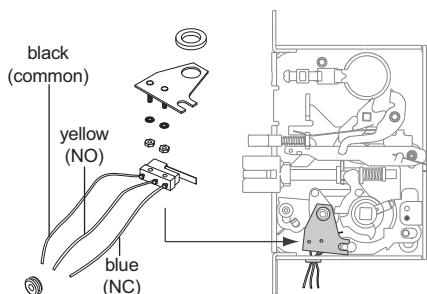
Request to Exit (RX) Feature*:

A microswitch inside the lock case is activated when the knob/lever is rotated. The switch signals the use of that opening to security systems allowing a non-disruptive means of immediate egress. Specify L-Series lock case with L283-263, or LV-Series lock case with L283-239.

L-Series RX Switch



LV-Series RX Switch



Note: Locks shipped prior to mid-2010 are configured with two-wire switches: L283-059 for normally closed or L283-125 for normally open L-Series, and L283-197 for normally closed or L283-196 for normally open LV-Series.

*Available on L and LV Series: L9080EL/EU, L9010, L9050, L9060, L9070, L9071, L9076, L9077, L9080, L9056, L9496, L9453, L9456, L9457, L9082 EL/EU

L9082 EL or EU Electrically Locked or Unlocked Both Sides:

The same as L9080EL/EU, except both knobs/levers are locked or unlocked simultaneously. (Previously XL11-452).

Cylinders:

All Schlage cylinders are available with the previously mentioned locks. Specify the locks with the required cylinder code, e.g. L9080PEL (code P) for classic and full size Everest cylinders. For a complete list of order codes, see "Ordering Procedures" on page 137.

Replacement Kit:

L283-053 Solenoid and Driver, EL or EU.

Electrical Requirements:

Voltage: 24V AC or 24V DC (max. 26V, min. 22V).

Peak Current: 1.3 Amps at 5 to 10 second intervals.

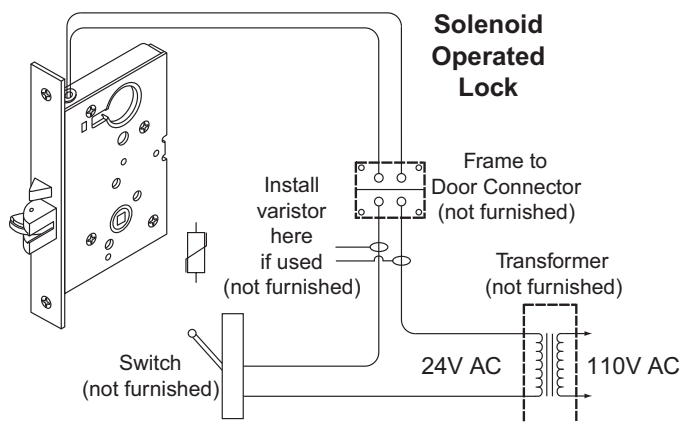
Holding Current: .135 Amps between peak current intervals.

Operating Temperature: Max +151° F, Min. -31° F.

RX Microswitch: 5 Amps, normally closed circuit.

Typical Installation:

All installations should be in accordance with local electrical codes and National Electrical Code NFPA #70. It is recommended that each lock have its own 24 volt transformer. Two or more locks may be operated in parallel from a single transformer provided it has the necessary current rating. DO NOT connect locks in series from a higher voltage rated transformer. Damage to locks may occur if they connect to a supply circuit that also contains electromagnetic devices. The transient voltage must be suppressed at the equipment producing them before connecting the locks to a circuit. A varistor rate at 35 volts (at peak current) may be used for transient voltage protection.



Lubrication Specifications

Lock Function				Area	Case and Cover: 150 Milligrams minimum in each area A,B, and C
L9010	LV9080	LV9082		A	
L9080	L9082				
L460	L480	L9462		B	
L462	L496	L9463			
L463	L9460	L9464			
L9465	L9466	L9473		A, B	
L9040	LV9060	L9077	LV9080EL	A,C	
LV9040	L9071	LV9077	L9080EU		
L9050	LV9071	L9080	LV9080EU		
LV9050	L9076	LV9080	L9082EL		
L9060	LV9076	L9080EL	L9082EU		
L9440	L9453	L9457	L9486	A, B, C	
LV9440	LV9453	LV9457	LV9486		
L9444	L9456	L9485	L9496		
LV9444	LV9456	LV9485	LV9496		

Latchbolt: 100 milligrams minimum at E, 50 milligrams at F

Aux. latchbolt: 100 milligrams at G

Holdback dog: 150 milligrams at H (viewed from bottom)

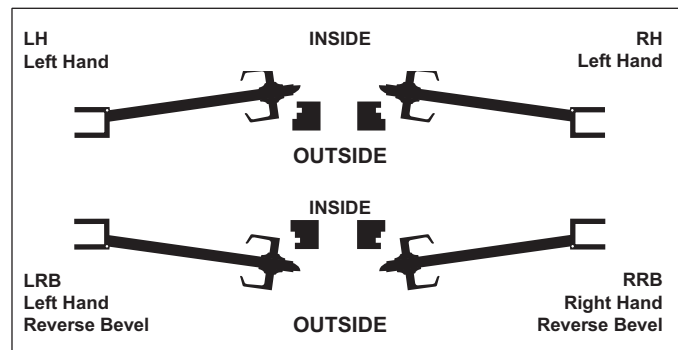
L583-019	L583-020	L583-024	L583-029	L583-030	L583-031
L583-025	L583-045	L583-051	L583-345		
				L283-147 Assembly	
L583-346	L583-383	L583-386	L583-387		

NOTE: Parts shown above must be barrel lubricated to obtain approximately .3 millimeters of film thickness prior to assembly.

Door Handing

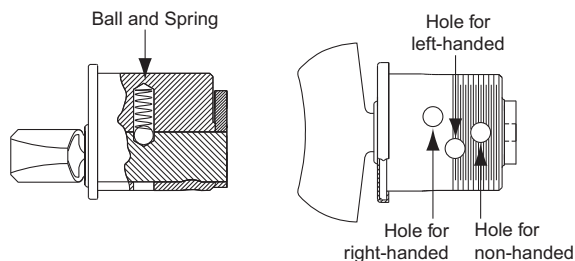
The hand of a door refers to the position of the lock relative to the side and direction of the door hinge.

There are four possible 'handings' based on whether the hinge is on the right or left side of the door and whether it swings to the inside or outside (see diagram).



Changing Cylinder Turn Hand

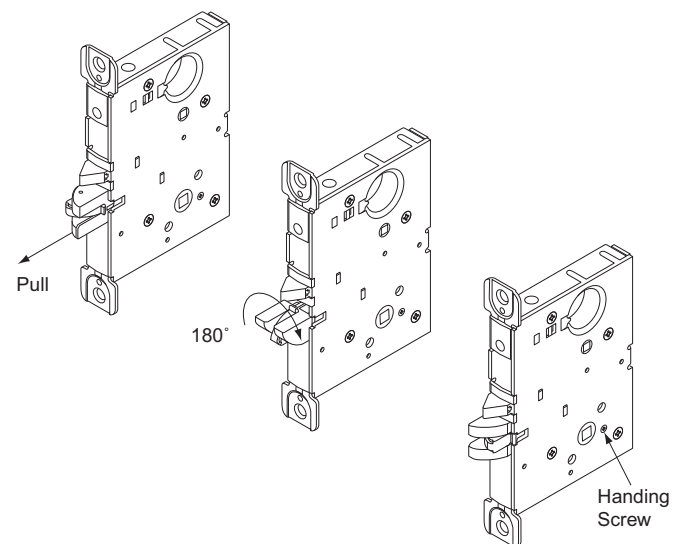
1. Remove cam.
2. Move ball and spring to appropriate hole.



Changing the Lock Hand

There are two steps to changing the hand of any L-Series lock:

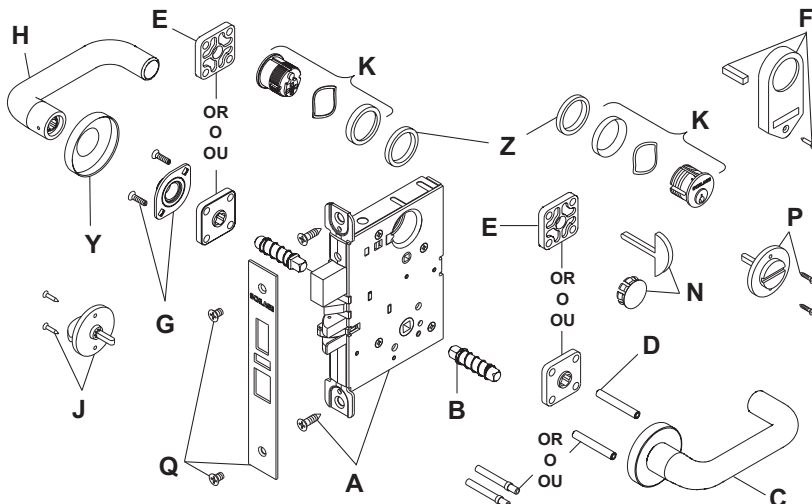
1. **Pull and Rotate Latchbolt.** With the lock case removed from the door, pull the latchbolt away from the lockcase and rotate 180°.
2. **Change Lock Handing Screw.** Remove the lock handing screw from one side of the chassis and install it on the opposite side. The lock handing screw should always be on the interior side of the door for L-Series locks, and on the exterior side of the door for LV-Series locks.



L9000-Series Installation Sheet—Page 1

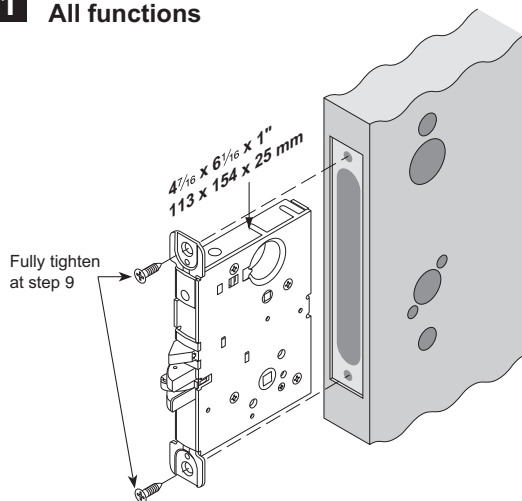
Lever and Rose

- A Lockcase and mounting screws
- B Spindle and spring
- C Outside lever and rose
- D Mounting posts
- E Spring cage or spacer
- F Occupancy indicator
- G Inside mounting plate & screws
- H Inside lever
- J Inside thumbturn
- K Cylinder, compression ring and spring
- L Inside rose
- N Emergency turn and button
- P Coin turn
- Q Armor front and screws
- Z Blocking ring

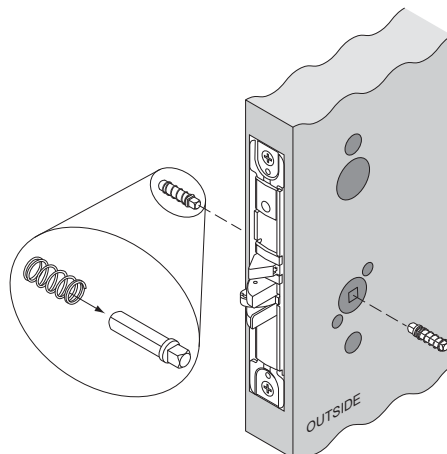


IMPORTANT: Before installation of any L/LV Series lock, check lock handing. (See door handing section.)

1 All functions

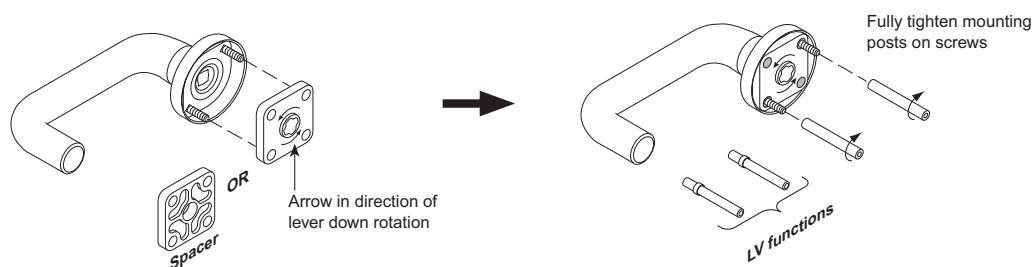


2 All functions

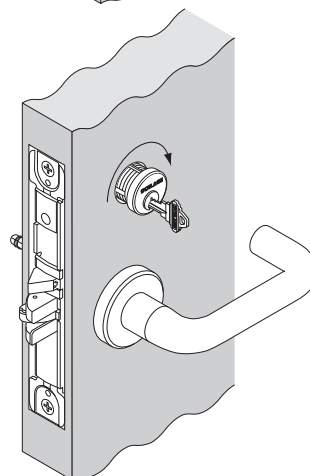
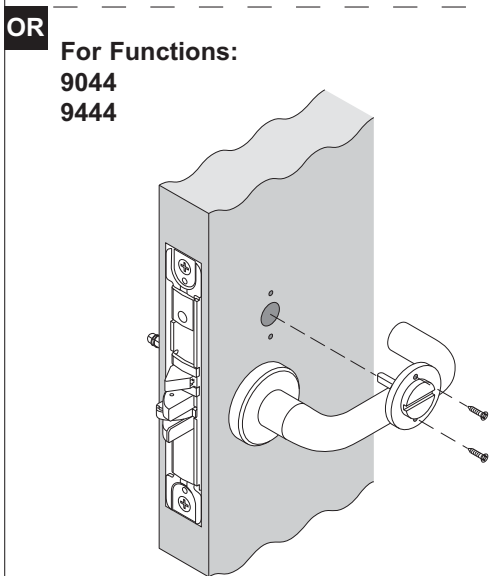
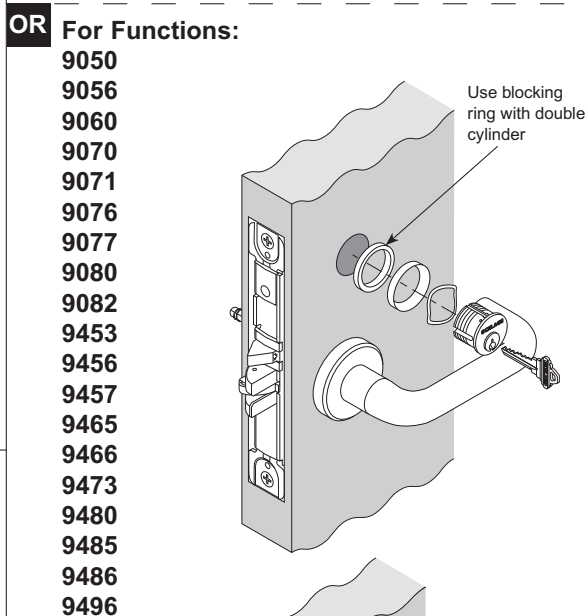
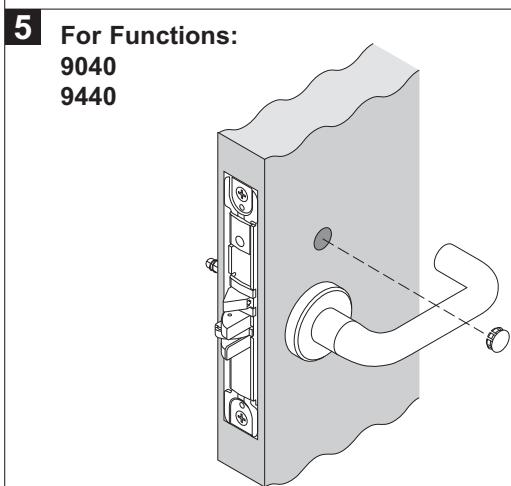
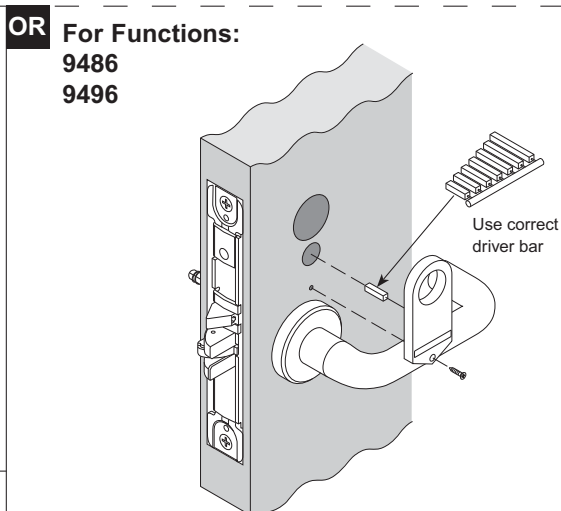
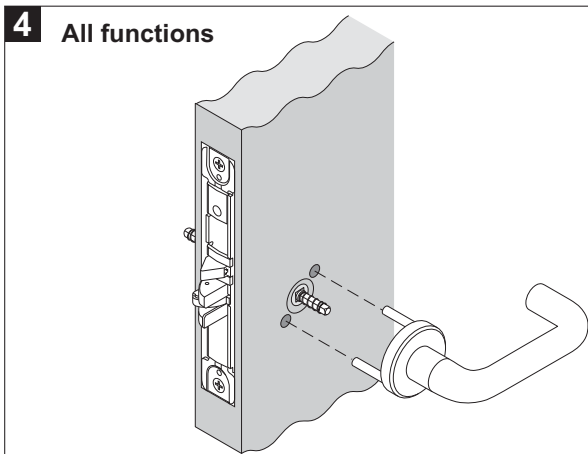


3 All functions

IMPORTANT: If spacer is supplied, install now.

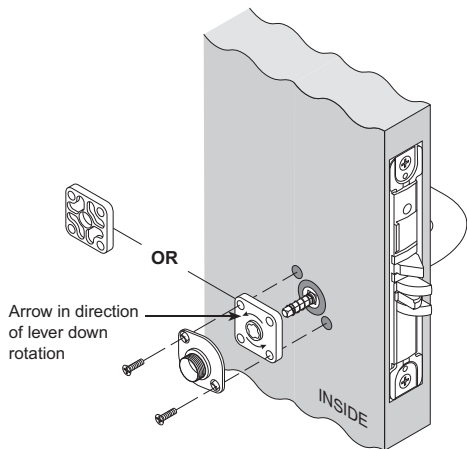


L9000-Series Installation Sheet—Page 2

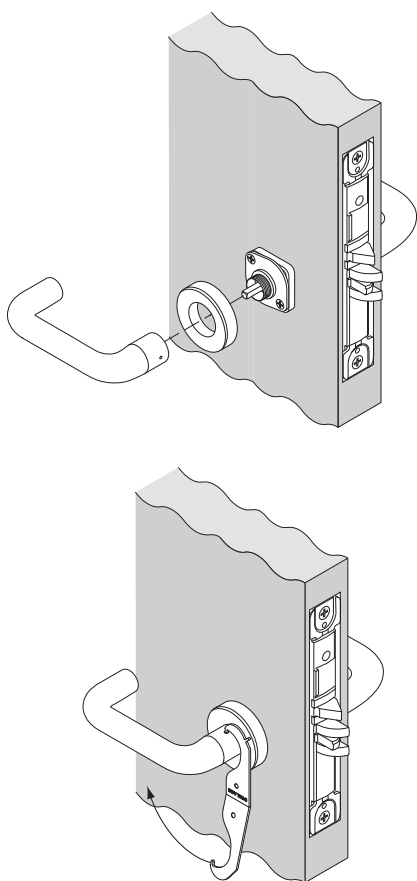


L9000-Series Installation Sheet—Page 3

6 All functions

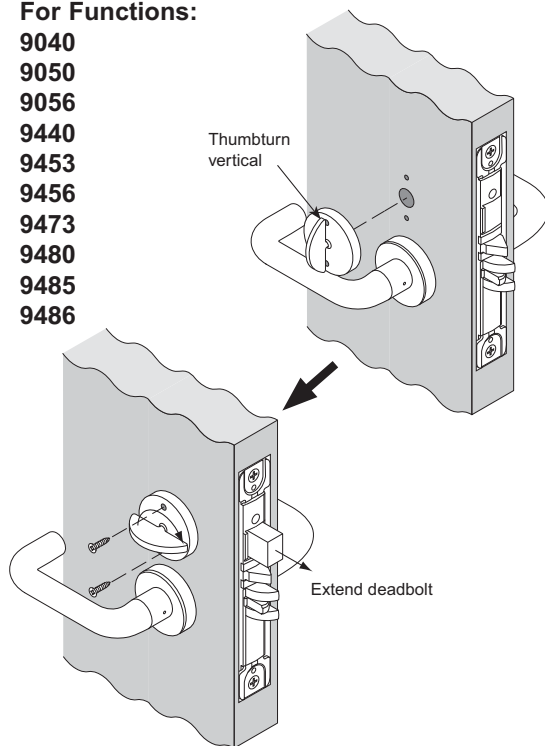


7 All functions



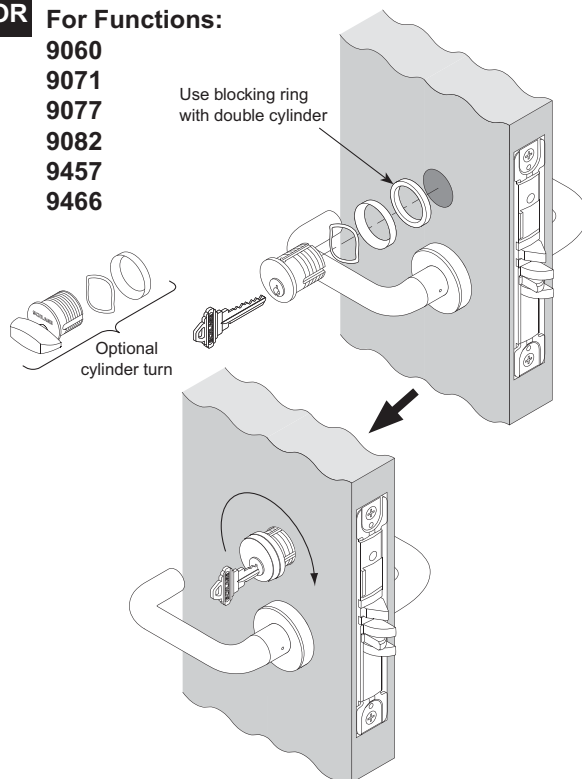
8 For Functions:

- 9040
- 9050
- 9056
- 9440
- 9453
- 9456
- 9473
- 9480
- 9485
- 9486



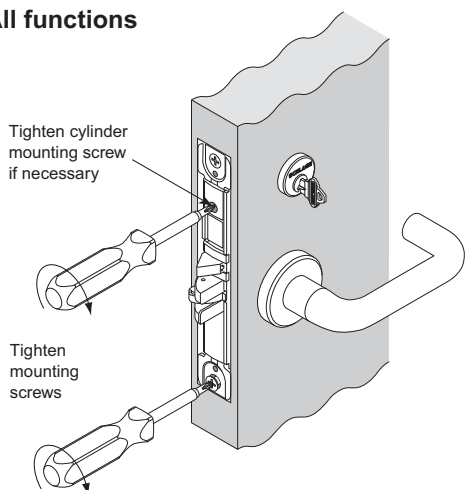
OR For Functions:

- 9060
- 9071
- 9077
- 9082
- 9457
- 9466

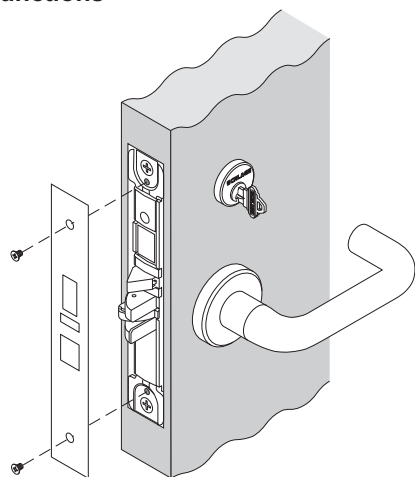


L9000-Series Installation Sheet—Page 4

9 All functions

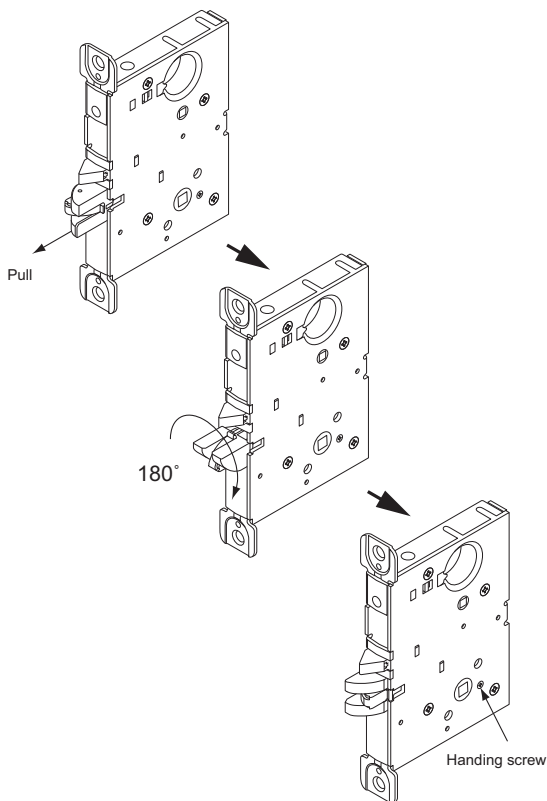


10 All functions



Door Handing

IMPORTANT: Move handing screw to inside of door for L locks and outside of door for LV locks.

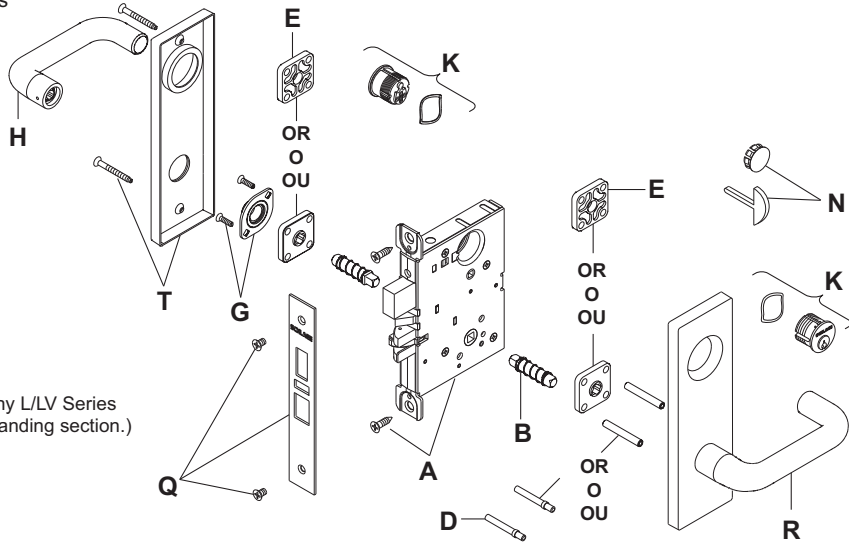


L9000-Series Installation Sheet—Page 5

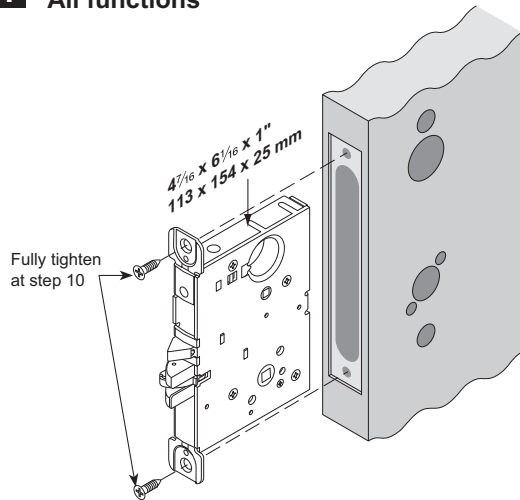
Lever and Escutcheon

- A Lockcase and mounting screws
- B Spindle and spring
- D Mounting posts
- E Spring cage or spacer
- G Inside mounting plate and screws
- H Inside lever
- K Cylinder and spring
- N Emergency button and turn
- Q Armor front and screws
- R Outside lever and escutcheon
- T Inside escutcheon and screws

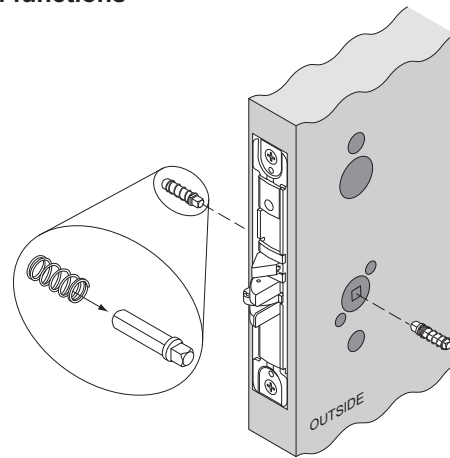
IMPORTANT: Before installation of any L/LV Series lock, check lock handing. (See door handing section.)



1 All functions

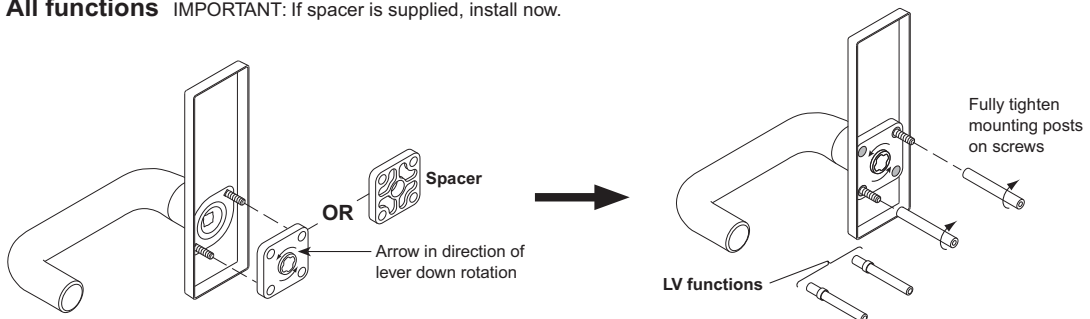


2 All functions



3 All functions

IMPORTANT: If spacer is supplied, install now.



L9000-Series Installation Sheet—Page 6

4 IMPORTANT: For concealed cylinder option, install cylinder(s) BEFORE installing escutcheon(s).

Optional

OR For Functions:
9486
9496

Use correct driver bar

5 For Functions:
9010
9176

OR For Functions:
9050 9485
9056 9486
9060 9496
9070
9071
9076
9077
9080
9082
9453
9456
9457
9465
9466
9473
9480

OR For Functions:
9040
9440

6 All functions

Arrow in direction of lever down rotation

OR

INSIDE

L9000-Series Installation Sheet—Page 7

7 For Functions:
 9010 9080
 9060 9082
 9070 9457
 9071 9465
 9076 9466
 9077

8 For Functions:
 9050 9071 9082 9465 9485
 9056 9076 9453 9466 9486
 9060 9077 9456 9473 9496
 9070 9080 9457 9480

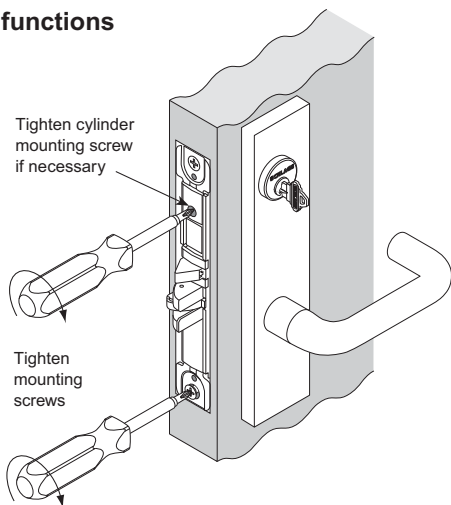
OR

For Functions:
 9040 9456
 9050 9473
 9056 9480
 9440 9485
 9453 9486

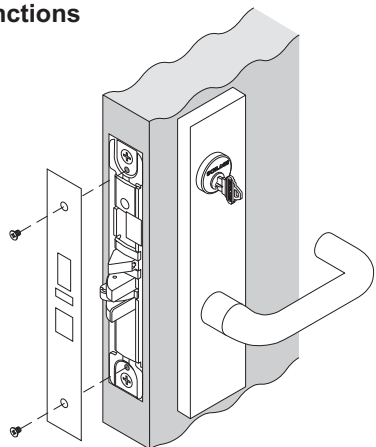
9 For Functions:
 9060
 9071
 9077
 9082
 9457
 9466

L9000-Series Installation Sheet—Page 8

10 All functions

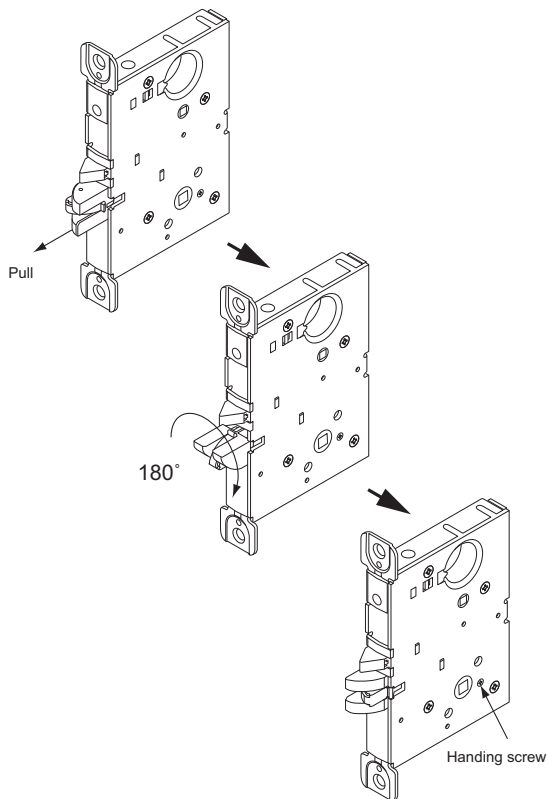


11 All functions



Door Handing

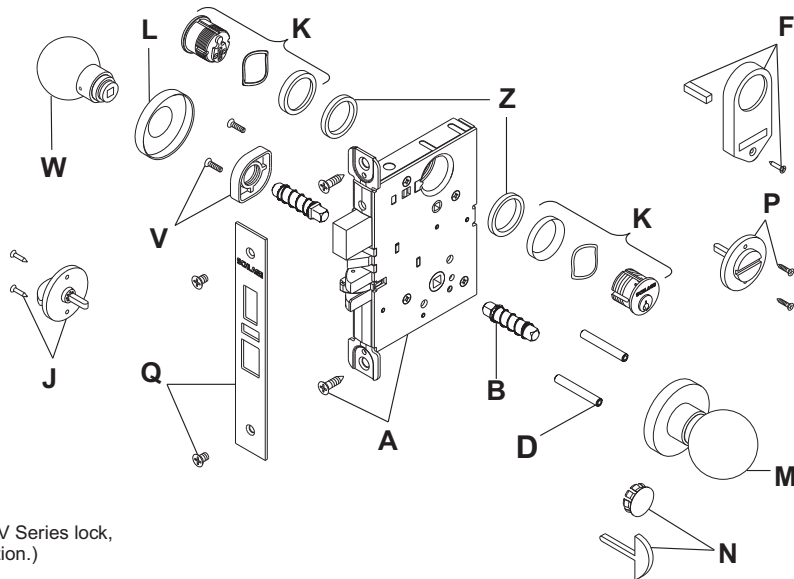
IMPORTANT: Move handing screw to inside of door for L locks and outside of door for LV locks.



L9000-Series Installation Sheet—Page 9

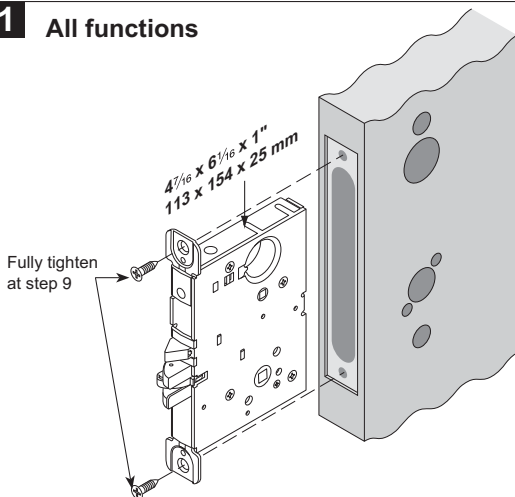
Knob and Rose

- A** Lockcase and mounting screws
- B** Spindle and spring
- D** Mounting posts
- F** Occupancy indicator
- J** Inside thumbturn
- K** Cylinder, compression ring and spring
- L** Inside rose
- M** Outside knob and rose
- N** Emergency turn and button
- P** Coin turn
- Q** Armor front and screws
- V** Knob mounting plate
- W** Inside knob
- Z** Blocking ring

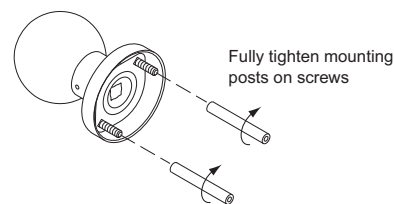


IMPORTANT: Before installation of any L/LV Series lock, check lock handing. (See door handing section.)

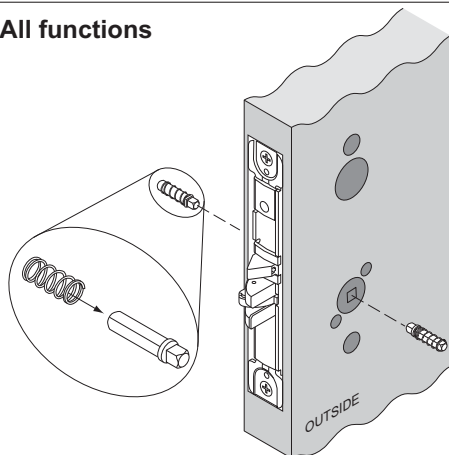
1 All functions



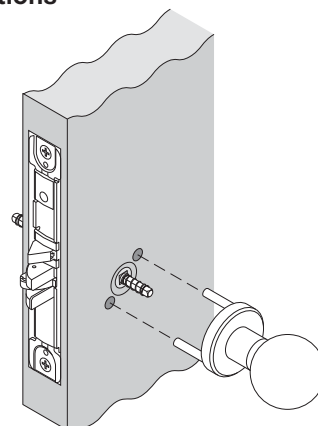
3 All functions



2 All functions

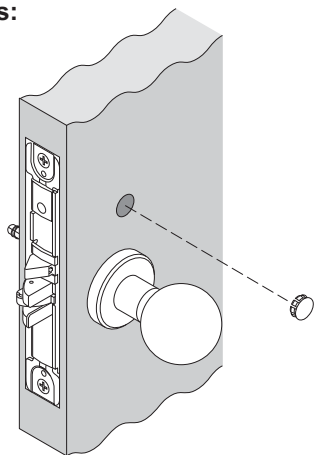


4 All functions



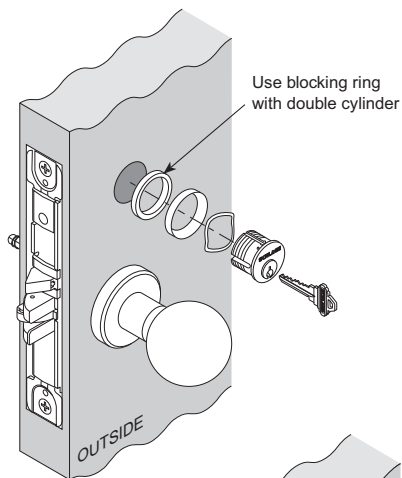
L9000-Series Installation Sheet—Page 10

5 For Functions:
9040
9440

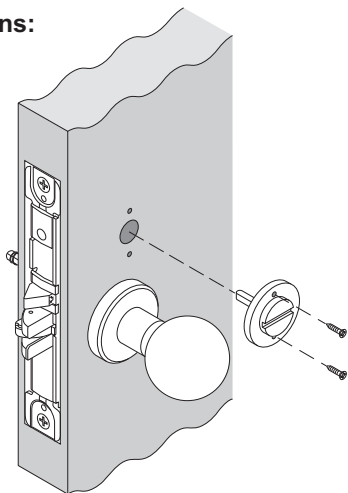


OR For Functions:

9050
9056
9060
9070
9071
9076
9077
9080
9082
9453
9456
9457
9465
9466
9473
9480
9485
9486
9496

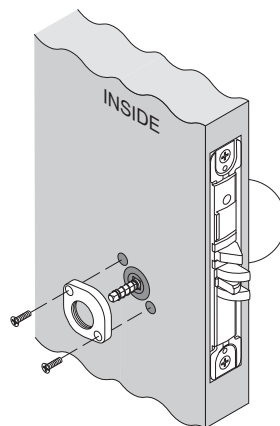
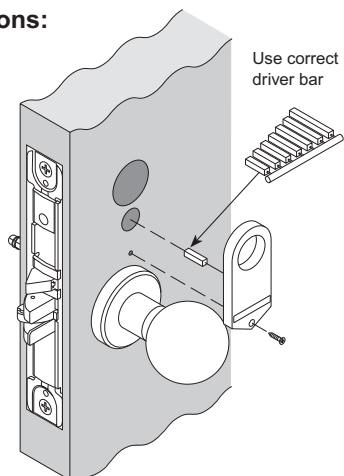


OR For Functions:
9044
9444



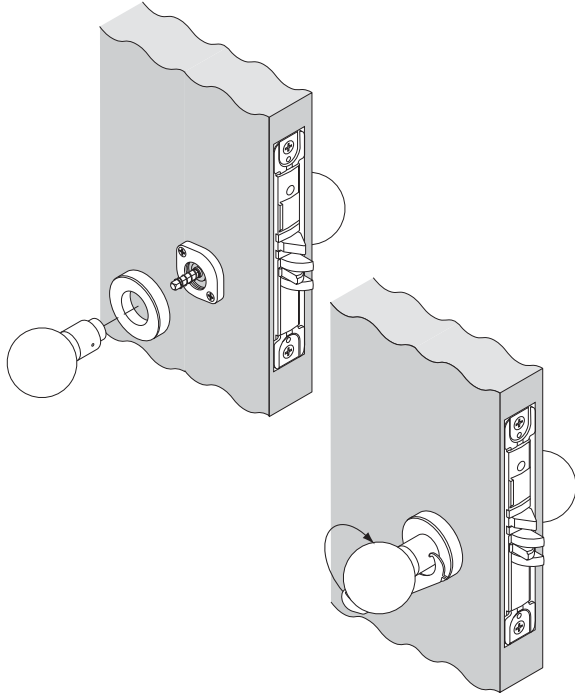
6 All functions

OR For Functions:
9486
9496



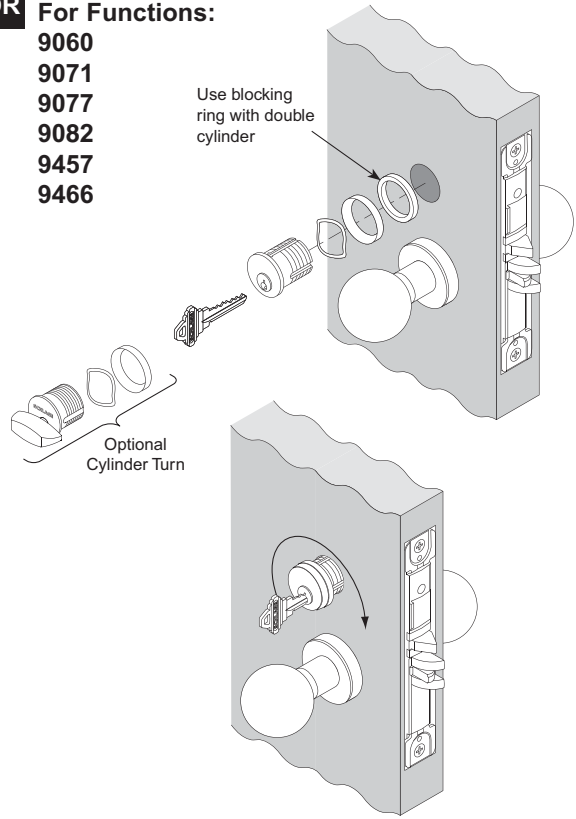
L9000-Series Installation Sheet—Page 11

7 All functions



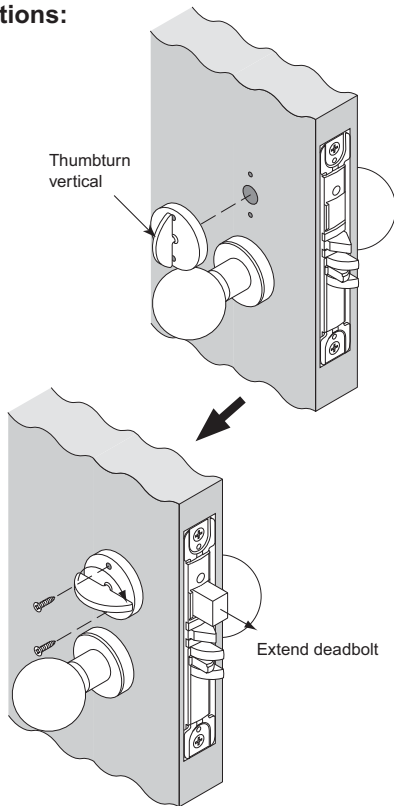
OR For Functions:

- 9060
- 9071
- 9077
- 9082
- 9457
- 9466

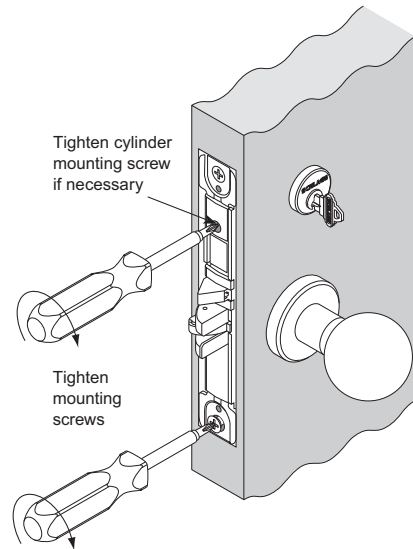


8 For Functions:

- 9040
- 9044
- 9050
- 9056
- 9440
- 9444
- 9453
- 9456
- 9473
- 9480
- 9485
- 9486
- 9496

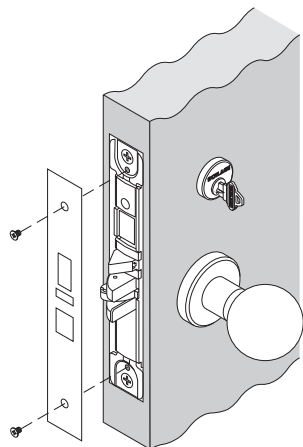


9 All functions



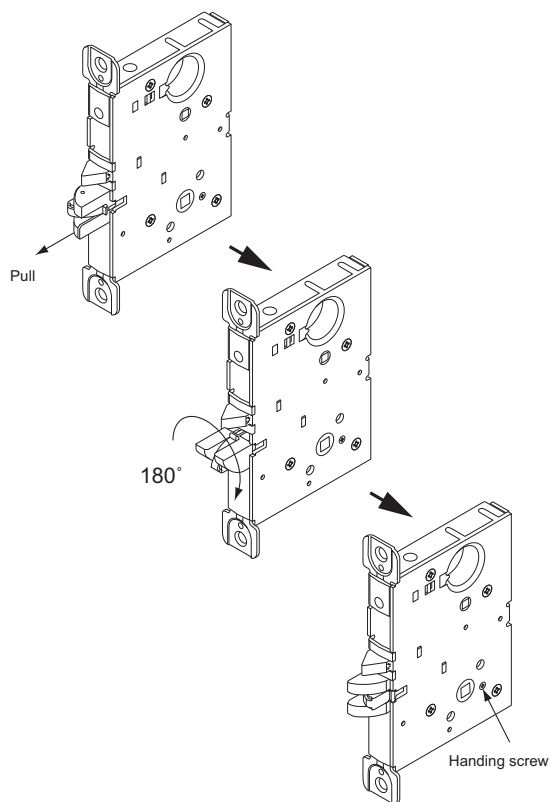
L9000-Series Installation Sheet—Page 12

10 All functions



Door Handing

IMPORTANT: Move handing screw to inside of door.

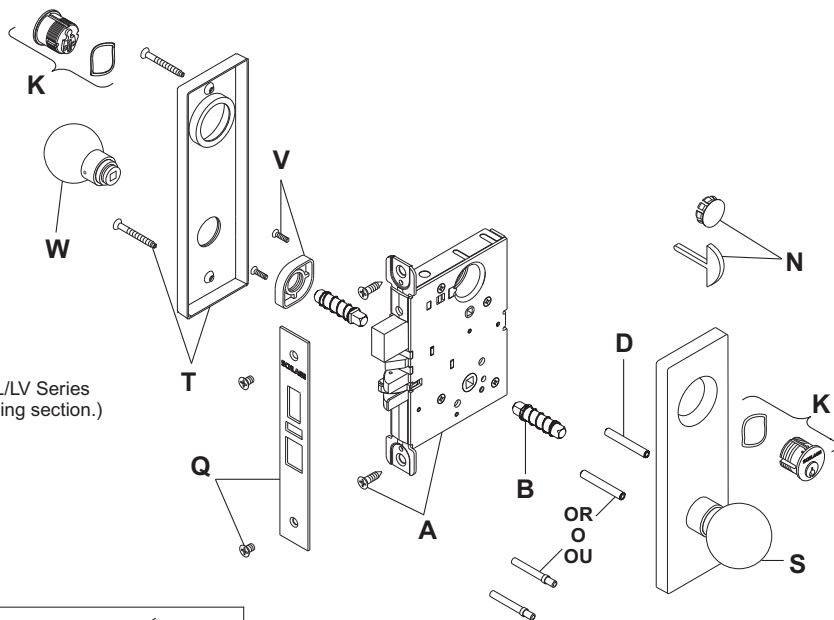


L9000-Series Installation Sheet–Page 13

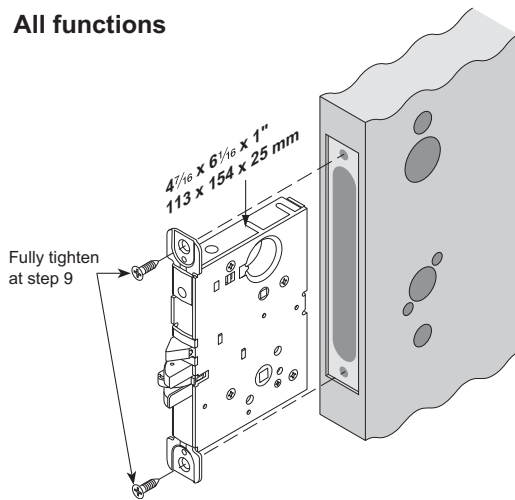
Knob and Escutcheon

- A Lockcase and mounting screws
- B Spindle and spring
- D Mounting posts
- K Cylinder and spring
- N Emergency button and turn
- Q Armor front and screws
- S Outside knob and escutcheon
- T Inside escutcheon and screws
- V Knob mounting plate
- W Inside knob

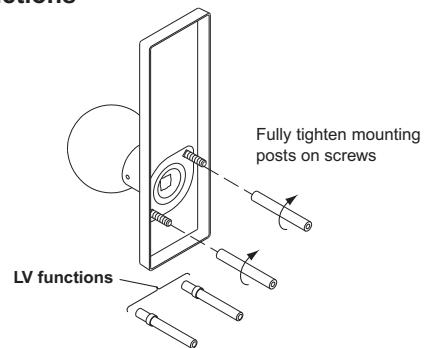
IMPORTANT: Before installation of any L/LV Series lock, check lock handing. (See door handing section.)



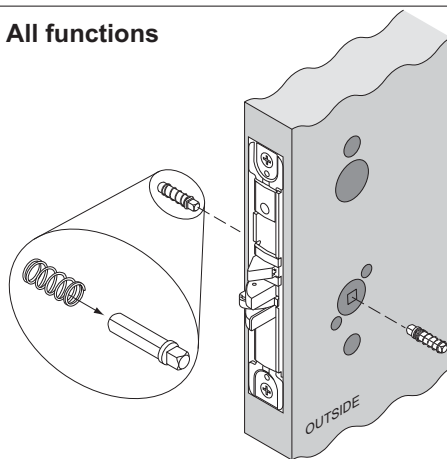
1 All functions



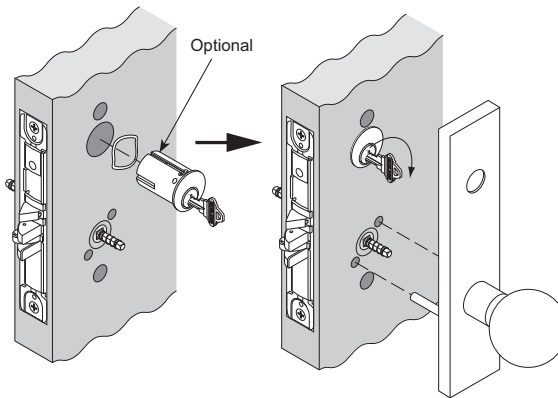
3 All functions



2 All functions

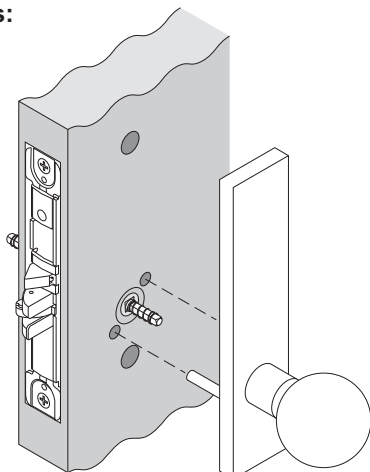


4 IMPORTANT: For concealed cylinder option, install cylinder(s) BEFORE installing escutcheon(s).

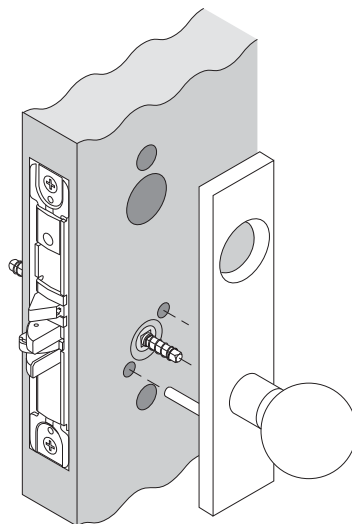


L9000-Series Installation Sheet—Page 14

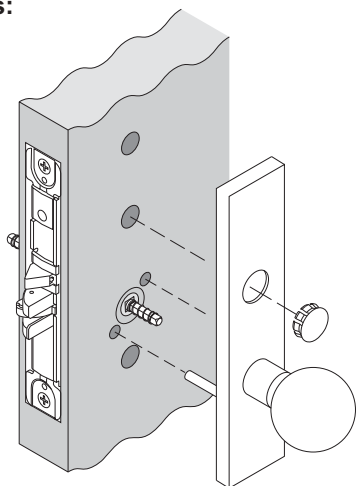
5 For Functions:
9010
9110
9176



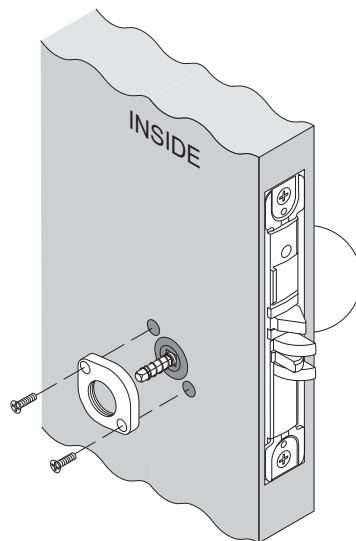
OR For Functions:
9050
9056
9060
9070
9071
9076
9077
9080
9082
9453
9456
9457
9465
9466
9473
9480
9485
9486
9496



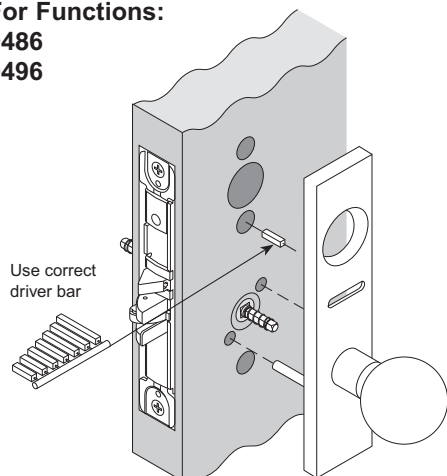
OR For Functions:
9040
9440



6 All functions

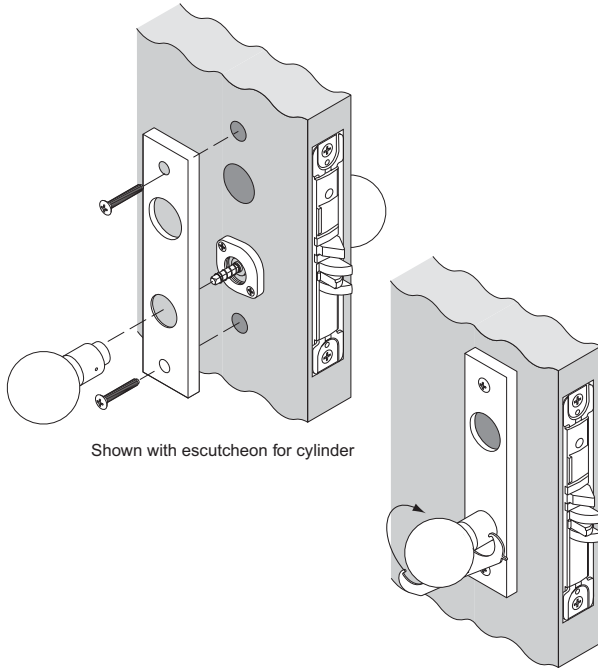


OR For Functions:
9486
9496

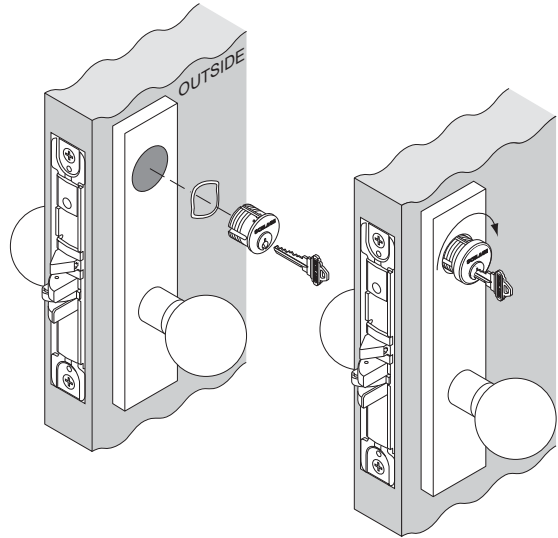


L9000-Series Installation Sheet—Page 15

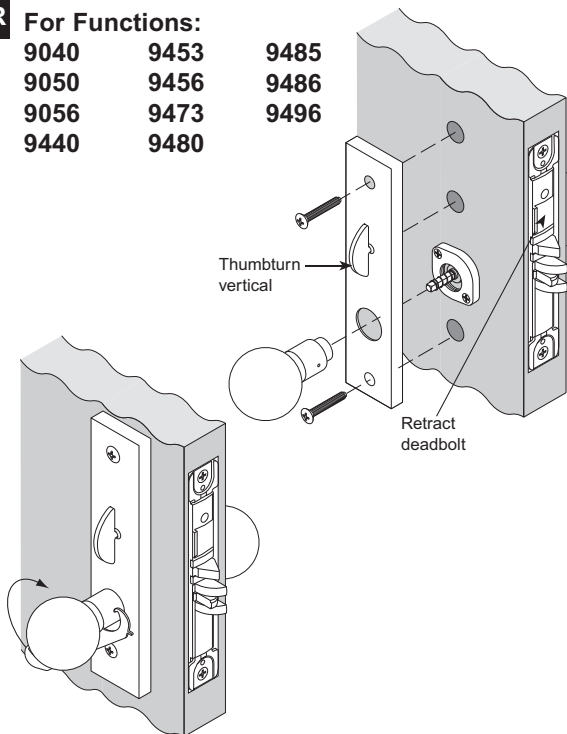
- 7** For Functions:
- | | | | | |
|------|------|------|------|------|
| 9010 | 9071 | 9080 | 9175 | 9465 |
| 9060 | 9076 | 9082 | 9176 | 9466 |
| 9070 | 9077 | 9110 | 9457 | |



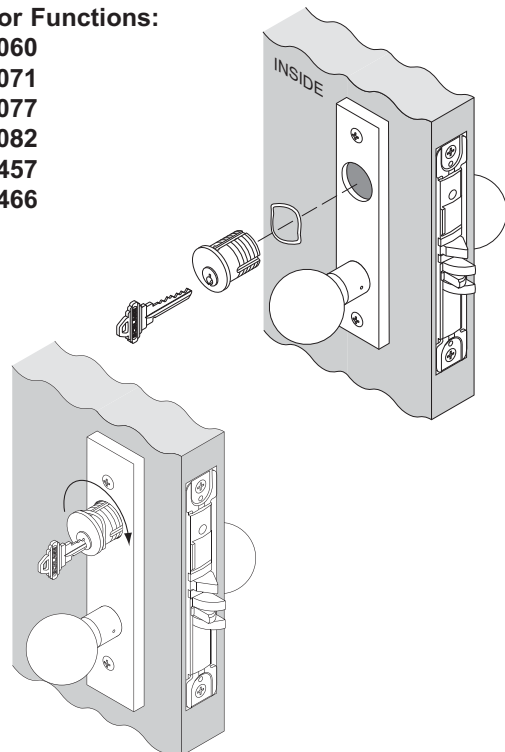
- 8** For Functions:
- | | | | | |
|------|------|------|------|------|
| 9050 | 9071 | 9082 | 9465 | 9485 |
| 9056 | 9076 | 9453 | 9466 | 9486 |
| 9060 | 9077 | 9456 | 9473 | 9496 |
| 9070 | 9080 | 9457 | 9480 | |



- OR** For Functions:
- | | | |
|------|------|------|
| 9040 | 9453 | 9485 |
| 9050 | 9456 | 9486 |
| 9056 | 9473 | 9496 |
| 9440 | 9480 | |

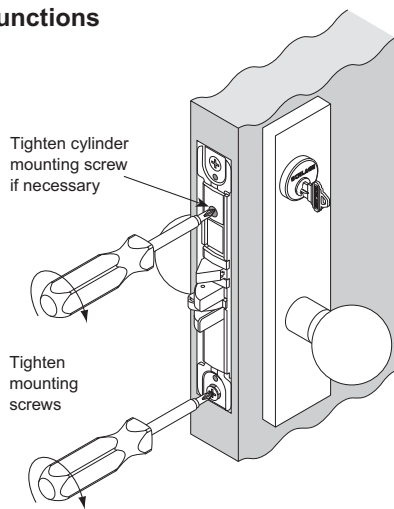


- 9** For Functions:
- | |
|------|
| 9060 |
| 9071 |
| 9077 |
| 9082 |
| 9457 |
| 9466 |

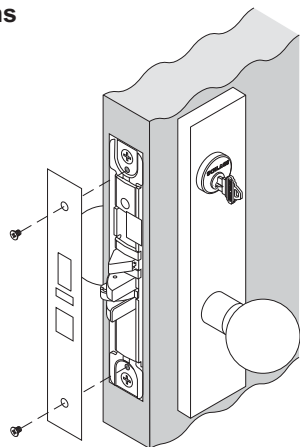


L9000-Series Installation Sheet—Page 16

10 All functions

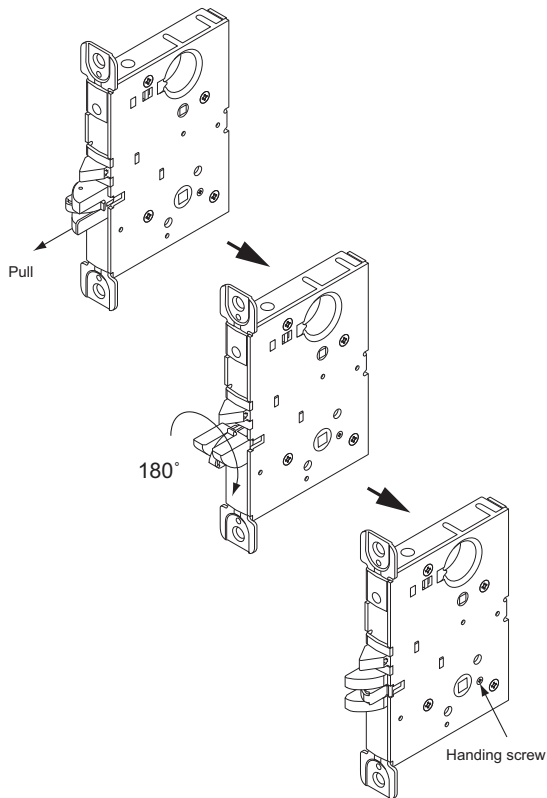


11 All functions



Door Handing

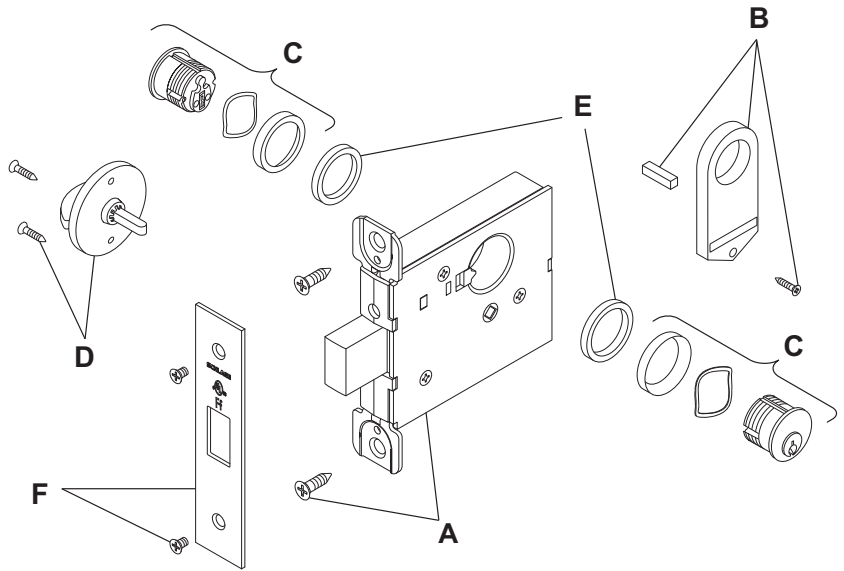
IMPORTANT: Move handing screw to inside of door.



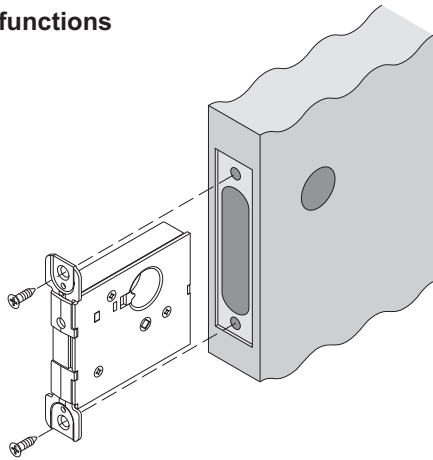
L400-Series Installation Sheet—Page 1

Small Case Mortise Locks

- A Lockcase and mounting screws
- B Occupancy indicator
- C Cylinder compression ring and spring
- D Inside thumbturn
- E Blocking ring
- F Armor front and screws

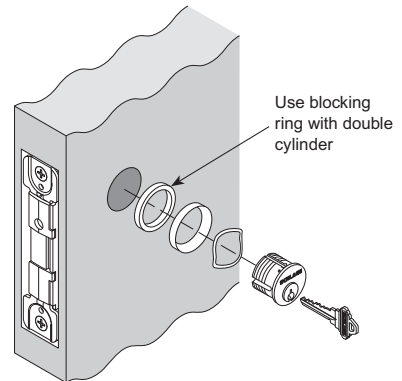


1 All functions

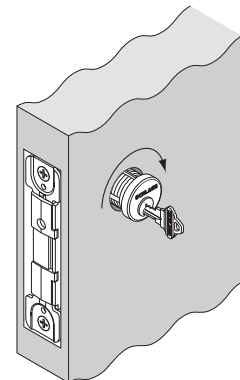
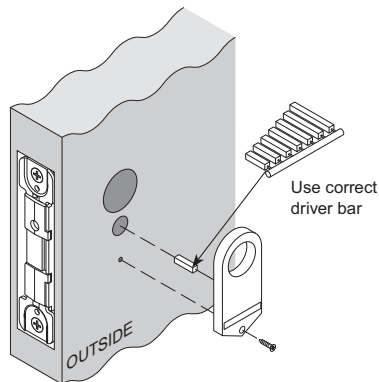


OR For Functions:

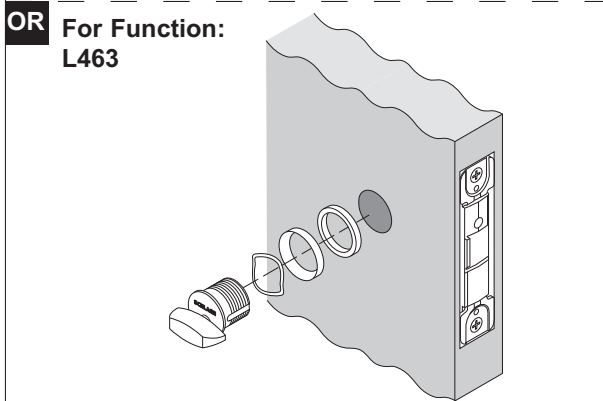
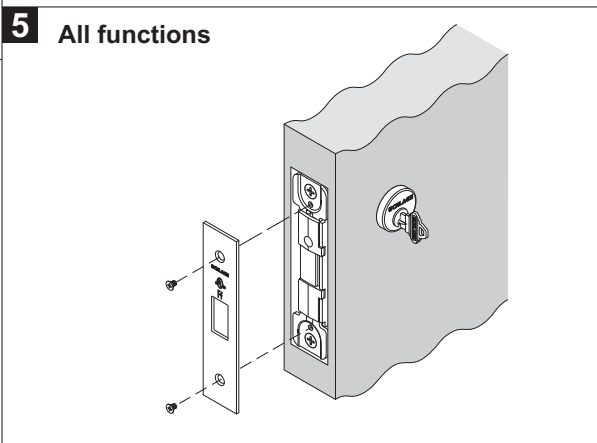
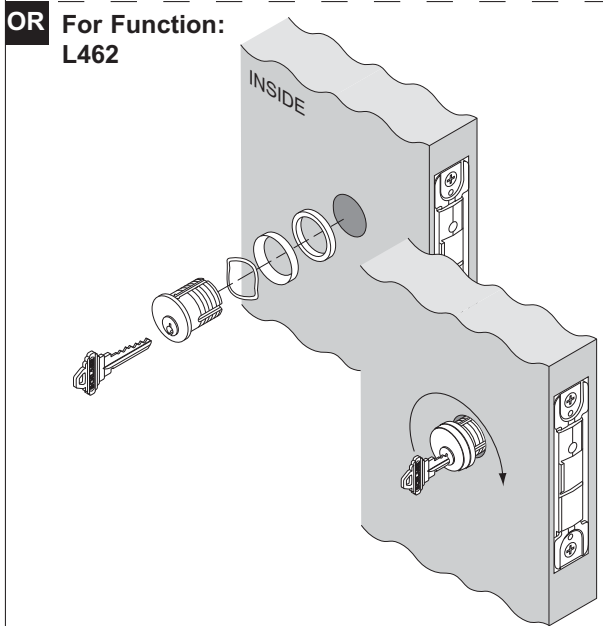
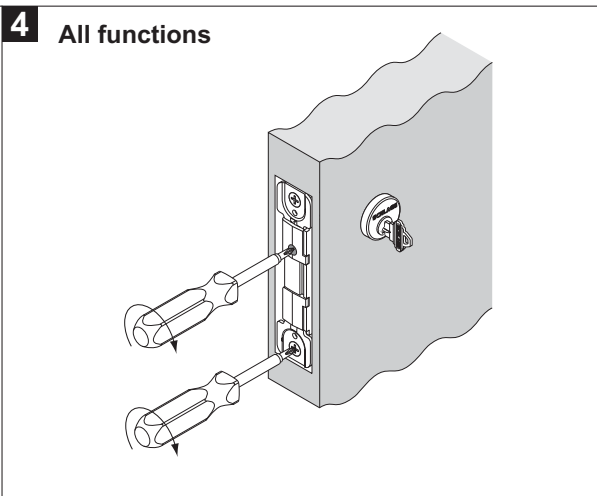
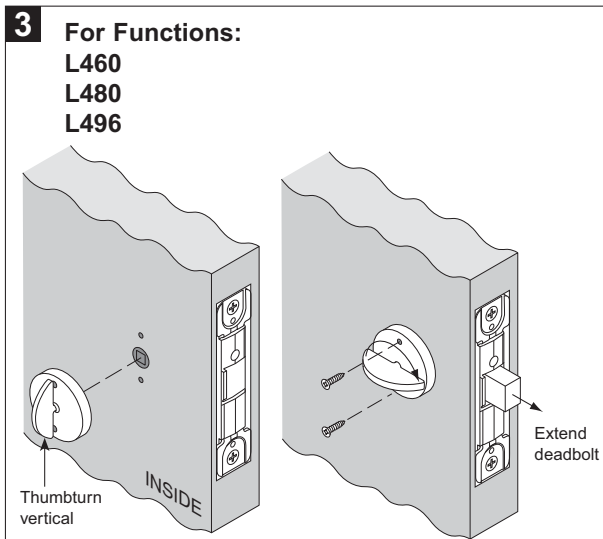
- L460
- L462
- L463
- L464
- L496



2 For Function: L496



L400-Series Installation Sheet—Page 2



Ordering Procedures

To order Schlage products, descriptive data should be in the same sequence as shown:

Line Item	Qty	Product	Outside		Inside		Hand	Latch	Strike	DR THK	EXT	DIM	Additional Details
			DES	FIN	DES	FIN							
1	2	3	4	5	6	7	8	9	10	11	12	13	14

- Line Item: Line item number
- Qty: Quantity
- Product: Complete lock product or part number
- Outside DES: Outside design code
- Outside FIN: Outside finish code
- Inside DES: Inside design code: Leave blank if same as outside design code.
- Inside FIN: Inside finish code: Leave blank if same as outside finish code.
- Hand: Hand of door: Only one hand allowed per line item. Example: RH=Right Hand, LH=Left Hand, RR=Right Reverse, LR=Left Reverse
- Latch: Latch: Leave blank for standard or specify part number if non-standard latch is required. LLL=Less Latch.
- Strike: Strike: Leave blank for standard or specify part number if non-standard strike is required. LLL=Less Strike.
- DR THK: Door thickness: Enter door thickness if non-standard. Example: 138=1³/₈", 214=2¹/₄", 212=2¹/₂".
- EXT: Extension: Enter one of the following when doors 2" thick or greater are specified: EE=Extended Equally, EI=Extended Inside, EO=Extended Outside, ED=Extended Differently. EI or EO assumes the latch will be centered on 1³/₄" door, to which material has been added.
- DIM: Dimension: Enter dimension for non-standard strike lip length and mortise cylinder or blocking ring length.

012 = 1 ¹ / ₈ "	118 = 1 ¹ / ₈ "
018 = 3 ¹ / ₁₆ "	114 = 1 ¹ / ₄ "
025 = 1 ¹ / ₄ "	138 = 1 ³ / ₈ "
031 = 5 ¹ / ₁₆ "	112 = 1 ¹ / ₂ "
037 = 3 ³ / ₈ "	158 = 1 ⁵ / ₈ "
050 = 1 ¹ / ₂ "	134 = 1 ³ / ₄ "
078 = 7 ⁷ / ₈ "	200 = 2"
100 = 1"	400 = 4"
- Additional Details: Enter detail for keying information and for special requirements.
- Examples:

Line Item	Qty	Product	Outside		Inside		Hand	Latch	Strike	DR THK	EXT	DIM	Additional Details
			DES	FIN	DES	FIN							
One mortise cylinder, 1¹/₄" long, which will operate a Von Duprin exit device.													
17	1	20-001		626								114	

One hotel function L-Series lock with 17B trim in 625 for left hand door.													
18	1	L9485P	17B	625			LH					114	

Five replacement inside L escutcheons with "EZ" turn, in satin stainless steel, to be used with 06 lever on 1³/₄" doors.													
19	5	09-633			06L	630				134			with EZ turn per L583-363

Finishes

Schlage Lock products are available in a range of durable, top quality finishes. Most are available with a clear coating that protects against damaging environmental factors, including sea air, high humidity, or corrosive vapors.

Cleaning and care varies by finish. Clear-coated or oil rubbed finishes can be cleaned periodically with a mild non-abrasive soap and buffed lightly with a clean cloth. Non-clear coated finishes should not be cleaned with soaps or solvents. They require cleaning with a clean, soft, damp cloth.

Finishes are coded according to the Builders Hardware Manufacturers Association (BHMA). The nearest old U.S. equivalent code designations are shown in parentheses.

Finish Codes and Descriptions

Code		Description
605	(US 3)	Bright Brass, clear coated
606	(US 4)	Satin Brass, clear coated
609	(US 5)	Antique Brass, clear coated
612	(US 10)	Satin Bronze, clear coated
613	(US 10B)	Oil Rubbed Bronze, no coating
619	(US 15)	Satin Nickel, clear coated
625	(US 26)	Bright Chromium Plated, no coating
626	(US 26D)	Satin Chromium Plated, no coating
626AM		Satin Chromium Plated, Anti-Microbial coating
629	(US 32)	Bright Stainless Steel, no coating
630	(US 32D)	Satin Stainless Steel, no coating
630AM		Satin Stainless Steel, Anti-Microbial coating
643e	(US 11)	Commercial Aged Bronze

For finish availability refer to Schlage Commercial Price Book.

Limited Warranty

COMMERCIAL APPLICATION

3-Year Limited Warranty

Schlage Lock Company (the “Company”) extends a three-year limited warranty from the original date of purchase to the Original User of the products manufactured by the Company (the “Product”) against defects in material and workmanship. Certain Products contain restrictions to this limited warranty, additional warranties or different warranty periods. Please see below for specific Product warranty information.

The provisions of this warranty do not apply to Products: (i) used for purposes for which they are not designed or intended; (ii) which have been subjected to alteration, abuse, misuse, negligence or accident; (iii) which have been improperly stored, installed, maintained or operated; (iv) which have been used in violation of written instructions provided by Schlage; (v) which have been subjected to improper temperature, humidity or other environmental conditions (i.e., corrosion); or (vi) which, based on Schlage’s examination, do not disclose to Schlage’s satisfaction non-conformance to the warranty. Additionally, Schlage will not warrant ANSI A156.2 Grade 2 lever Product installed in educational facilities and student housing.

SPECIFIC PRODUCT WARRANTY RESTRICTIONS / ADDITIONAL WARRANTIES

Portable Security Products Warranty: A limited lifetime warranty is provided to the Original User, subject to the restrictions of this limited warranty, except that the Company’s sole obligation under this warranty is to replace the Product.

ND-Series Levers 7-Year Mechanical Warranty: A limited warranty is provided to the Original User for seven (7) years from original date of purchase, subject to the restrictions of this limited warranty.

Small Format Interchangeable Core (SFIC) Warranty: This limited warranty also applies to Schlage locks and housings when used with another manufacturer’s cores, or to Schlage cores (i.e. SFIC) when used in another manufacturer’s locks and housings. *The use of unauthorized cylinder cams or other components with the Products shall void this warranty.*

Everest® Primus® Limited Lifetime Key Breakage Warranty: A limited lifetime warranty is provided to the Original User against key breakage, subject to the restrictions of this limited warranty.

Cobra, CM and PRO-Series 1-Year Electronic Lock Warranty: A limited warranty is provided to the Original User for one (1) year from original date of purchase, subject to the restrictions of this limited warranty.



Ingersoll Rand's Security Technologies Sector is a leading global provider of products and services that make environments safe, secure and productive. The Sector's market-leading products include electronic and biometric access control systems; time and attendance and personnel scheduling systems; mechanical locks and portable security, door closers and exit devices, steel doors and frames, architectural hardware and technologies and services for global security markets.

877.671.7011

www.schlage.com www.ingersollrand.com