

Introduction

The RP200 Light Module works with the Schlage LiNK system as both a light controller and a signal repeater to help extend the range of the Schlage Bridge.

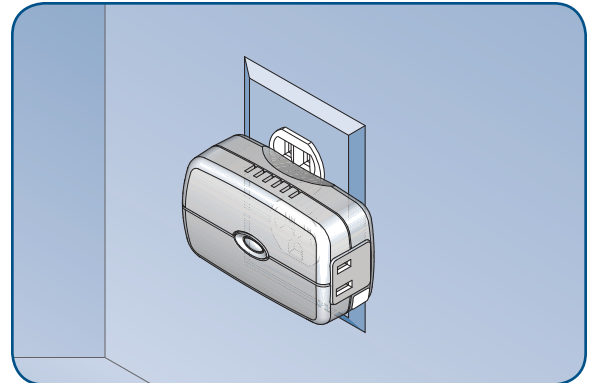


FOR INDOOR USE ONLY!

DO NOT use with non-resistive loads, such as fluorescent lighting, CFL bulbs or motors.

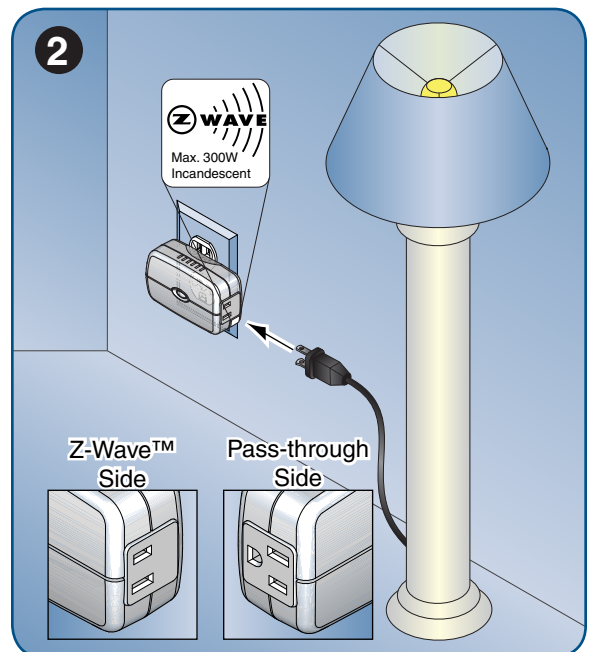
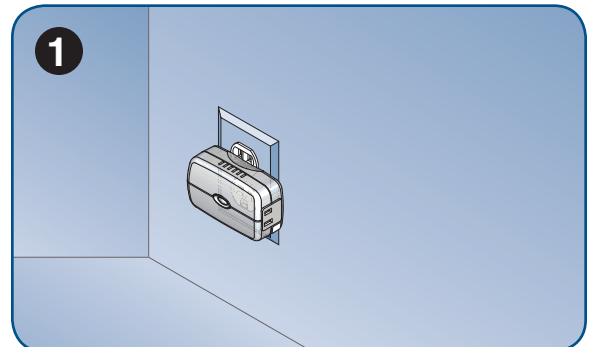
To reduce the risk of electric shock, this product has a grounding type plug that has a third (grounding) pin. This plug will only fit into a grounding type power outlet. If the plug does not fit into the outlet, contact a qualified electrician to install the proper outlet. Do not change the plug in any way.

Any modification or use other than described may damage the unit and will void the warranty.



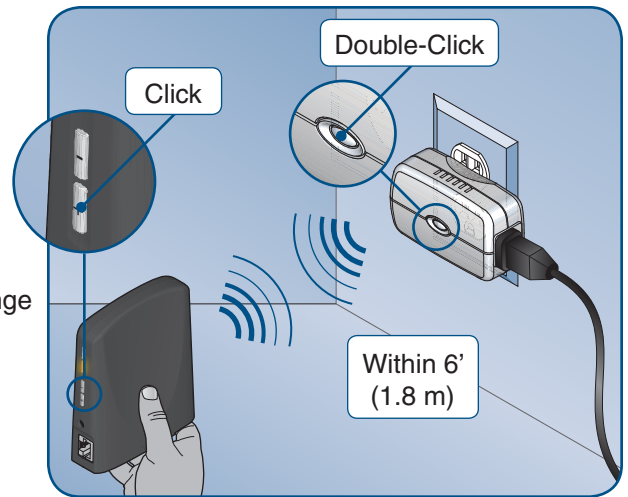
Installation

1. Plug the light module into any available outlet.
 - The light module can be used to control a lamp.
 - The light module repeats the Z-Wave™ signal. In some homes, the light module must be used to improve communication between the bridge and the lock. During the online portion of the setup, the system will determine if it is communicating properly or not. You can move the light module during online setup if necessary.
 - The light module should be installed into any indoor, three-prong, 120 volt A/C outlet.
2. (Optional) Plug a lamp into the Z-Wave™ (two-prong) side of the light module.
 - There are two outlets on the light module. One of the outlets has only two prongs and is labelled with a Z-Wave™ sticker. A lamp (25 watts minimum and 300 watts maximum) can be controlled by the system if it is plugged into the Z-Wave™ side of the light module.
 - Use only an incandescent light bulb in the lamp that is plugged into the light module. DO NOT use a CFL (compact fluorescent light bulb) or any other kind of electric device.
 - The other outlet has three prongs and can be used simply as a pass-through outlet (1500 watts maximum). It is not controlled by the system, and the system is not affected when it is used.



Enrollment

1. Hold the bridge within 6 feet (1.8 meters) of the light module throughout all of step 7.
2. Install a fresh 9-volt battery into the bridge.
3. Press and release the plus (+) button on the bridge.
4. Double-click the button on the light module.
5. Observe the lights on the bridge. The orange light will blink while enrollment is taking place. Enrollment is complete when the orange light becomes solid.
6. Reconnect power and Ethernet to the bridge.



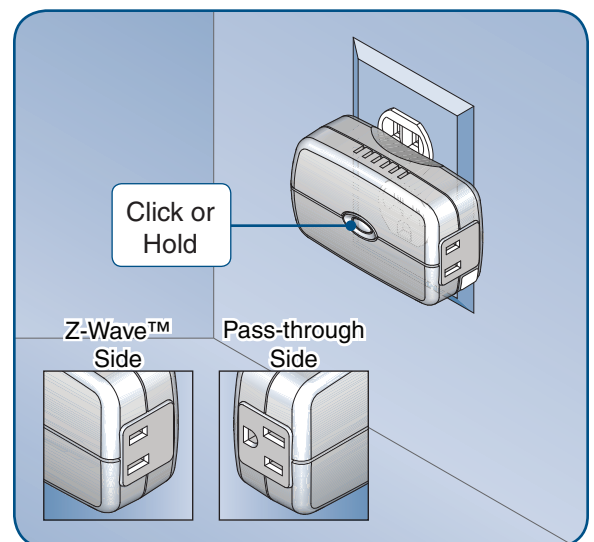
Remote Control

- Log into your account at www.schlagelink.com. Click the Lighting & Automation tab. The light module will be displayed.
- Download the phone application from www.schlagelink.com.



Manual Operation

- Press the button once to turn the light on or off.
- Press and hold the button to dim.
- Use the web portal or phone application for remote control.
 - The phone application can be downloaded from www.schlagelink.com, after your account is set up.
- The pass-through outlet (1500 watts maximum) is not controlled by the system, and the system is not affected when it is used.



Specifications

- Power 120 VAC, 60 Hz
- Signal (Frequency) 908.42 MHz

Software Fuse

The RP200 is designed to protect itself against loads that exceed its maximum power rating. The application of a load that exceeds that rating is quickly sensed by the dimmer and it responds by immediately shutting off all power to that load. If the dimmer doesn't seem to work, or if it only works momentarily, check to see that the total light wattage doesn't exceed the 300W rating of the RP200. If a properly sized load is restored to the dimmer, it can be operated normally once again.

Over-current protection

The RP200 hardware has an over current detection circuit, which is final protection against overload. If the software fuse should fail to shut down the dimmer when overloaded, backup protection is provided by an internal fuse. This fuse is not user serviceable. Check your home circuit breakers before concluding that the product must be returned to the manufacturer for repair at a nominal charge.

FCC NOTICE

Note: This equipment has been tested and found to comply with the limits for a Class B digital device, pursuant to part 15 of the FCC Rules. These limits are designed to provide reasonable protection against harmful interference in a residential installation. This equipment generates, uses, and can radiate radio frequency energy and, if not installed and used in accordance with the instructions may cause harmful interference to radio communications. However, there is no guarantee that interference will not occur in a particular installation. If this equipment does cause harmful interference to radio or television reception, which can be determined by turning the equipment off and on, the user is encouraged to try to correct the interference by one or more of the following measures:

- Reorient or relocate the receiving antenna.
- Increase the separation between the equipment and receiver.
- Connect the equipment into an outlet on a circuit different from that to which the receiver is connected.
- Consult the dealer or an experienced radio/TV technician for help.



IC NOTICE

This Class B digital apparatus complies with Canadian ICES-003.

Cet appareil numérique de la classe B est conforme à la norme NMB-003 du Canada.



Industry
Canada

Industrie
Canada

Operation is subject to the following two conditions: (1) this device may not cause interference, and (2) this device must accept any interference, including interference that may cause undesired operation of the device.

About RP200's Certification

In addition to compliance with product safety standards, the RP200 is also certified to comply with applicable FCC and IC rules and regulations governing RF and EMI emissions.

Customer Service: (877) 288-7707 (U.S.A. /Canada)

Warranty information is available at part2.schlage.com.

