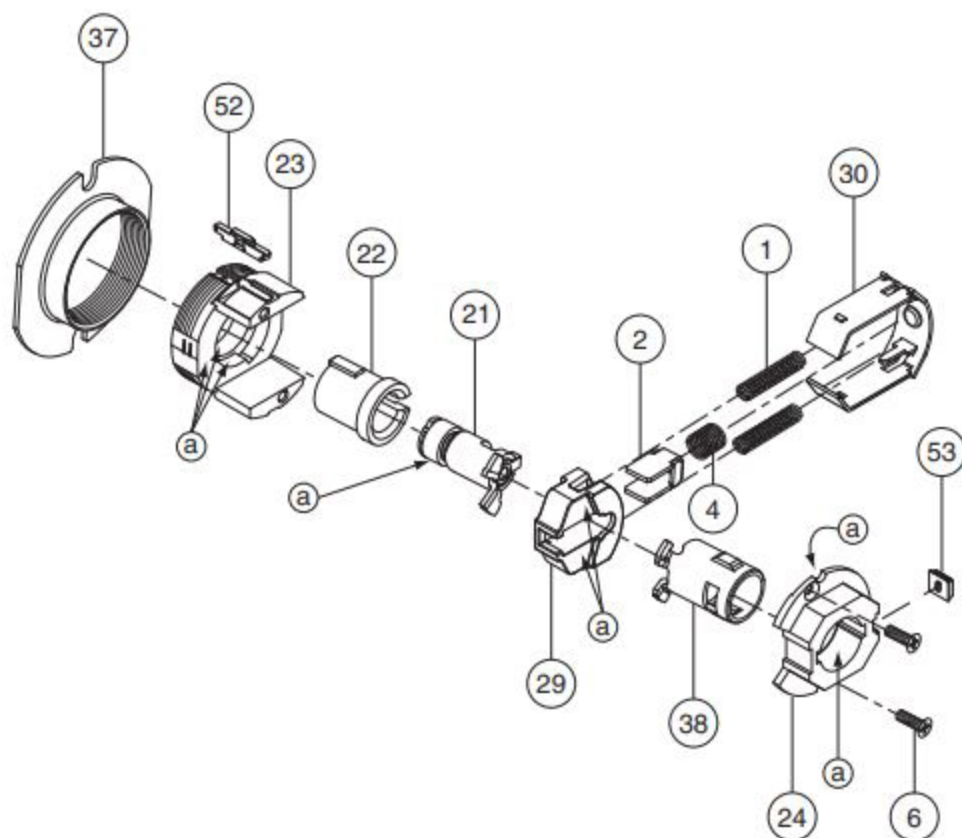


Corridor lock with Vandlgard®

ND97



a) Apply light film of 100% synthetic grease on surfaces with brush.

No.	Description	Part number
1	Slide spring	C503-019
2	Restoring slide catch	C604-187
4	Slide catch spring	C604-191
6	Chassis screw	L583-454
21	Keycam assembly	N123-097
22	Spindle	N523-013
23	Outside housing	24088544

No.	Description	Part number
24	Inside hub	24085037
29	Slide	N523-149
30	Slide clip	N523-025
37	Adjustment plate	N523-054
38	Spindle	N523-056
52	Gauge insert	23988066
53	Insert, inside hub	N523-160*

* Not sold separately as a part.