

990

SLIDING DOOR PULL

For Passage (non-locking) functions.

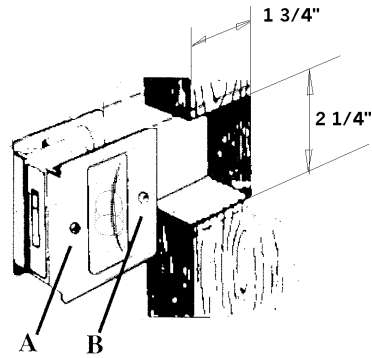
Fits doors 1³/₈" to 1¹/₂" thick

INSTALLATION INSTRUCTIONS

This pull is assembled for doors sliding open left to right.
 For doors opening right to left, see instructions below for reversing plates.

TOOLS REQUIRED: Saw, ⁵/₁₆" Drill bit, flat head screwdriver, chisel, awl or pencil.

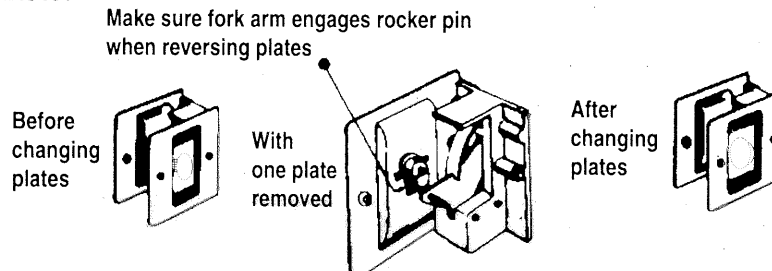
1. Make cutout in door 2¹/₄" high by 1³/₄" deep and slide lock into position.
2. Fasten machine screw (A) and adjust for door thickness, then insert wood screw (B) and tighten.



TO ASSEMBLE AFTER REVERSING PLATES

To reverse outside plates on lock assembly (see illustration below):

1. Remove machine screw on each side.
2. Change plates from side to side making sure that fork arm engages rocker pin.
3. Re-assemble.



IVES

990 SLIDING DOOR PULL

TEMPLATE NO. HB-990-124

DRAWN BY: FJ HARRIS

DATE: 11-9-94

H.B. IVES

P.O. BOX 1887, NEW HAVEN, CONN. 06508