

**SCHLAGE**

## AD-200

Standalone electronic lock



### Overview

AD Series electronic locks from Schlage are designed to be modular and provide more options to choose from, more functionality in the lock and more compatibility with existing systems. Its patent-pending modular design allows the lock to be customized to fit the needs of an application now, and can change to meet future needs without removing it from the door.

Factory orderable options include choices of credential readers, chassis type, locking functions, power options, lever styles and finishes. It also offers a wide selection of features that can be configured in the field to customize your openings.

The AD-200 is a simple, economical solution if no access control system currently exists in facility, or for openings that don't require the control of a networked solution. The AD-200 is easily upgradable to a networked lock if requirements change in the future.

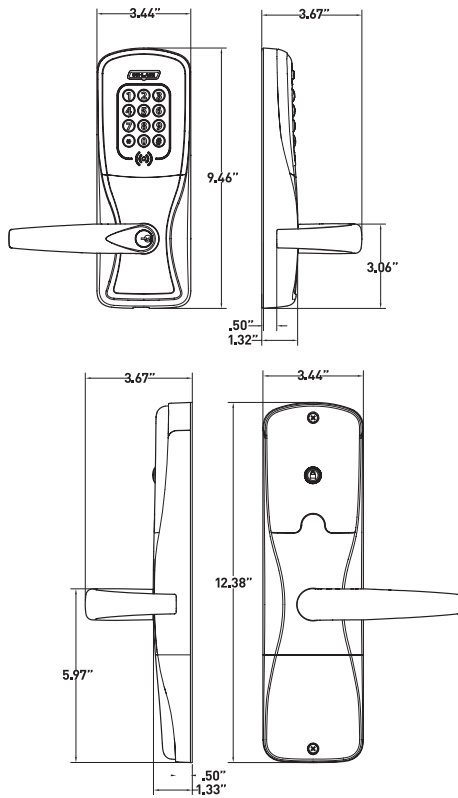
On all AD Series standalone locks, Schlage has built in many of the incremental features needed in a networked system such as request-to-exit and -enter sensors, interior cover tamper guard, as well as the door position switch. This way, if the customer chooses to network this opening in the future, all the components will be there to make the transition an easy one.

### Features and benefits

- Security that's more intelligent and convenient than traditional mechanical locking devices
- Audit trail reports that allow you to track usage and events
- Update users and access rights at the lock using the keypad or handheld device
- The ability to upgrade to a networked solution without removing the lock from the door
- Available in cylindrical, mortise, mortise deadbolt and exit trim
- Compatible with major brands of master key systems and exit devices
- Hardwired remote push button release capability
- Allows use of smart/mobile device as credential with Schlage and aptiQ mobile (multi-technology reader only)<sup>1</sup>
- ANSI/BHMA A156.25, ANSI/BHMA Grade 1, UL 294, UL 10C, FCC Part 15, ADA, RoHS, FL12400<sup>2</sup>, FL1591<sup>2</sup>, FL13013<sup>2</sup> and FL14482<sup>2</sup>

<sup>1</sup> Refer to the Schlage/aptiQ mobile credential compatibility chart for a list of certified devices.

<sup>2</sup> Applies to cylindrical and mortise chassis only



## AD-200 electronic lock specifications

Users	Up to 5000
Audits	Up to 5000
Credential verification time	≤ 1 second <sup>1</sup>
Visual/audible communications	Tri-colored LEDs and audible indicators (field configurable)
System interface	Handheld Device (HHD)
Power supply	4AA, 8AA, 12 VDC or 24 VDC
Voltage range	4 VDC to 26 VDC
Max current requirement	Up to 250 mA
Battery life	Up to 2 yrs with 4AA
Operating temperature - exterior	-31° to 151°F (-35° to 66°C)
Operating temperature - interior	32° to 120°F (0° to 49°C) (battery)
Operating humidity	0 - 100% non-condensing
Certifications	ANSI/BHMA A156.25, ANSI/BHMA Grade 1, UL 294, UL 10C, FCC Part 15, ADA, RoHS
Accessories	Handheld Device (HHD)

### Functions

- Classroom/storeroom<sup>2</sup>
- Office<sup>2</sup>
- Privacy
- Apartment

### Standard status signals

- Lock/unlock status
- Mechanical key override
- Battery status

## Schlage Utility Software on Handheld Device

The Schlage Utility Software (SUS) on the Handheld Device (HHD) provides an easy way to manage people, audits and locks for simple access control management.

### Schlage Utility Software

- Initialize lock and accessories
- Field configure devices
  - Credential reader formats
  - Lock function
  - Unlock period
  - Failure mode
  - Audible alarm on/off
- Service and diagnostics
  - Battery status
  - Validate hardware and software revision
  - Troubleshooting status signals
- New device template simplifies configuration

### HHD

- 3.5 inch display
- Touch screen/keypad backlit
- 32-bit processor
- OS: Windows Mobile 6.5
- Memory: 128 MB RAM/ 256 MB ROM
- Battery: rechargeable Li-ion
- Dimensions: 5.1" x 2.8" x 0.65" (13.0 cm x 7.2 cm x 1.7 cm)
- Weight: 0.42 lbs (190 g)
- 5 ft (1.2 m) drop to steel surface, 2 drops per 6 sides



The HHD connects with AD Series and CO Series locks and accessories via the USB interface

For replacement HHD devices with a serial cable connection, please contact Technical Support at 877.671.7011.

<sup>1</sup> Verification time is dependent on size of user base

<sup>2</sup> Classroom/storeroom and office function not available with mortise deadbolt option.

## Mechanical specifications

Chassis	Cylindrical	Mortise	Exit trim
Handing	Handed to order, field reversible		
ANSI standard (Meets or exceeds)	A156.25 A156.2 Series 4000 Grade 1	A156.25 A156.13 Series 1000 Grade 1	A156.25 A156.3
Door thickness	1 3/4" standard, 1 3/8" to 2 3/4" optional (available in 1/8" increments)		
Backset	Standard: 2 3/4" Optional: 2 3/8", 3 3/4", 5"	2 3/4" only	Defined by exit device
Latch bolt	Standard: 1/2" throw Optional: 3/4" throw	Standard: 3/4" throw Optional: 1" throw on mortise deadbolt	Provided by exit device
Levers	Pressure cast zinc, plated		
Strike	Standard: 1 3/16" lip, ANSI, 1 1/4" x 4 7/8" Optional: Additional configurations available please see price book		Provided by exit device
Cylinder and keys	Schlage 6-pin Everest 29 S123 keyway Conventional cylinder with two patented keys standard. Additional options available including SFIC, FSIC and competitor brands. See lever and cylinder compatibility data sheet (010432)		

## Multi-technology reader specification

Frequency	125 kHz proximity and 13.56 MHz smart card
Standards	ISO standard 15693 and ISO 14443
Maximum read range	Up to 1.25" on 125 kHz proximity, up to 0.75" on 13.56 MHz smart card
125 kHz proximity credential use	<b>Compatibility:</b> Schlage®, XceedID®, HID®, GE/CASI ProxLite®, AWID® and LenelProx® <b>Schlage credential style formats:</b> Clamshell, ISO card, ISO card with magnetic stripe, keyfob, thin keyfob, and PVC adhesive disk
13.56 MHz proximity credential use	<b>Secure sector compatibility:</b> Schlage and aptiQ™ MIFARE Classic®, XceedID, Schlage MIFARE Plus®, Schlage and aptiQ MIFARE® DESFire® EV1 with PACSA, Schlage and aptiQ mobile credentials; PIV and PIV-13, 4 <b>CSN only compatibility:</b> DESFire, HID iClass®, Inside Contactless Pico Tag®, MIFARE, MIFARE DESFire EV1, ST Microelectronics®, Texas Instruments Tag-It®, Phillips I-Code® <b>Schlage credential style formats:</b> Clamshell, ISO card, ISO card with magnetic stripe, keyfob, thin keyfob, wearable wristband, mobile, PVC adhesive patch
Certifications/standards	FCC, UL 294 Listed, ISO standard 15693, and ISO standard 14443
Style/layout	Option for 12 button, 3x4 matrix backlit keypad

<sup>1</sup> Request-to-exit switch optional for future network migration

<sup>2</sup> Narrow design and reversible rim exits not compatible

<sup>3</sup> 75 bit output format default. Configurable to other output formats. Check with access control provider for specific support

<sup>4</sup> Smart card functionality dependant on access control software

<sup>5</sup> Refer to the Schlage/aptiQ mobile credential compatibility chart for a list of certified devices

## Available AD Series reader modules



**Multi-technology**

- Proximity
- Smart card
- Mobile



**Multi-technology**

- Proximity
- Smart card
- Mobile



**Smart - iClass compatible**

- Smart card
- KEYPAD



**Smart - iClass compatible**

- Smart card



**Magnetic stripe (insertion)**

- KEYPAD



**Magnetic stripe (insertion)**



**Magnetic stripe (swipe)**

- KEYPAD



**Magnetic stripe (swipe)**



**Keypad**

KEYPAD  
FIPS 201-1  
compliant option  
available (FMK)

## AD Series exit trim

Installed with a universal mounting plate, the AD Series exit trim is compatible with the following exit devices:

- Von Duprin 98/99 & 98/99XP<sup>1</sup> Rim, surface vertical rod, mortise. Concealed vertical cable and concealed vertical rod on metal doors only.
- Von Duprin 22/22F<sup>1</sup> Rim, surface vertical rod
- Falcon 25<sup>1</sup> - Rim
- Sargent® 80<sup>2</sup> Series - Rim
- Precision™ 21 Rim 2100 converts to 21 with Precision's BP21 kit
- Corbin Russwin® 5000 Series - Rim
- Yale® 7000 - Rim
- Dorma® 9300 - Rim

## Benefits of AD Series multi-technology readers:

- Reads multiple brands of both proximity (125 kHz) and smart (13.56 MHz) technologies with single reader
- Allows use of smart/mobile device as credential with Schlage or aptiQ mobile technology<sup>3</sup>
- Allows facility to migrate to more secure credential technologies over time and as budgets permit

## Additional readers

### Smart - iClass compatible

- Smart card reader only
- Reads secure sector of HID iClass, iClass SE, iClass SEOS, iClass Standard Key, and iClass Elite Key; Schlage MIFARE Classic, MIFARE Plus, and MIFARE EV1
- BLE mobile credential not supported

### Magnetic stripe

- Available with choice of insertion or swipe style readers
- Triple track reader (1, 2 or 3), field configurable
- ABA, ISO76XX standard

### Keypad

- Backlit keypad
- 12 button, 3x4 matrix

# Ordering information

Available through one of our GSA schedule 84 approved distributions; BAA options available

AD-200-CY-70-MG-SPA-626-PD-S123-RH-4B-13-049-10-025-1 3/4

Series	Class	Chassis	Function	Reader	Lever style	Finish	Lever cylinder	Keying type	Handing	Battery	Backset and latch	Strike	Door thickness
1	2	3	4	5	6	7	8	9	10	11	12	13	14

Selections correspond with the numbers above

Standard options are indicated in bold. See price book for specific configuration options.

<b>3</b>	<b>Chassis</b>
CY	Cylindrical
MS	Mortise
MD	Mortise deadbolt
993R	Exit trim – Rim/CVC/CVR
993S	Exit trim – SVR
993M	Exit trim – mortise
993DT	Non-functioning dummy trim for exit
<b>4</b>	<b>Function</b>
70	Classroom/storeroom
50	Office
40	Privacy
60	Apartment
<b>5</b>	<b>Reader</b>
<b>KP</b>	<b>Keypad</b>
MG	Magnetic stripe (insertion)
MGK	Magnetic stripe + keypad (insertion)
MS	Magnetic stripe (swipe)
MSK	Magnetic stripe + keypad (swipe)
MT	Multi-technology (125kHz and 13.56 MHz)
MTK	Multi-technology + keypad (125kHz and 13.56 MHz)
Si	Smart - iClass compatible
SiK	Smart - iClass compatible + keypad
DT	Dummy trim

<b>6</b>	<b>Lever</b>
ATH	Athens
BRK	Boardwalk
BRW	Broadway
LAT	Latitude
LON	Longitude
RHO	Rhodes
SPA	Sparta
TLR	Tubular

Available with knurled surface

<b>7</b>	<b>Finish</b>
<b>626</b>	<b>Satin chrome</b>
605	Bright brass
606	Satin brass
612	Satin bronze
619	Satin nickel
625	Bright chrome
643e	Aged bronze
626AM	Satin chrome antimicrobial
<b>8</b>	<b>Lever cylinder type</b>
<b>PD</b>	<b>Schlage 6-pin Conventional key-in-levercylinder</b>

See price book for other SFIC, FSIC and Less Cores options available. Compatible with Schlage, Sargent, Corbin, Medeco and Yale.

<b>9</b>	<b>Keyway type</b>
<b>S123</b>	<b>Everest 29</b>

See price book for other available keyway options including master keying

<b>10</b>	<b>Handing</b>
<b>RH</b>	<b>Right handed</b>
<b>LH</b>	<b>Left handed</b>

Field reversible

## Lever styles

Conventional cylinders shown, SFIC and FSIC also available.



## About Allegion

Allegion (NYSE: ALLE) is a global pioneer in safety and security, with leading brands like CISA®, Interflex®, LCN®, Schlage®, SimonsVoss® and Von Duprin®. Focusing on security around the door and adjacent areas, Allegion produces a range of solutions for homes, businesses, schools and other institutions. Allegion is a \$2 billion company, with products sold in almost 130 countries. For more, visit [www.allegion.com](http://www.allegion.com).

KRYPTONITE ■ LCN ■ SCHLAGE ■ STEELCRAFT ■ VON DUPRIN

<b>11</b>	<b>Battery</b>
<b>4B</b>	<b>4AA</b>
8B	8AA
<b>12</b>	<b>Backset and latch or armor front</b>

**Cylindrical**  
**13-049** **2 3/4" backset, deadlatch, square corner, 1 1/8" x 2 1/4"**

**Mortise**  
**09-663** **Armor front, 1 1/4" wide, square corner**

See price book for mortise deadbolt and other backset and latch options or armor front options

<b>13</b>	<b>Strike</b>
-----------	---------------

**Cylindrical**  
**10-025** **1 3/16" lip, ANSI, no box, 1 1/4" x 4 7/8"**

**Mortise**  
**10-072** **1 3/16" lip, 1 1/4" x 4 7/8" square corner, box**

See price book for other available strikes

<b>14</b>	<b>Door thickness</b>
<b>1 3/4"</b>	

Other thicknesses available between 1 3/8" and 2 3/4"

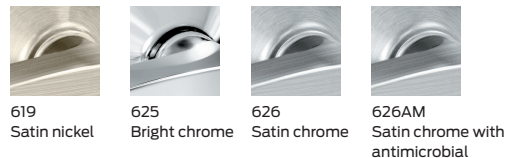
See price book for detail

## Finishes

Warm tone finishes



Cool tone finishes



ALLEGION™

© 2018 Allegion  
 004442, Rev. 08/18  
[www.allegion.com/us](http://www.allegion.com/us)