



CO-200

Standalone electronic lock



Images shown are not to scale.

Overview

The CO Series is the ideal solution for customers seeking the added security and convenience of electronic access control without the cost or complexity of a fully networked system.

The CO-200 is computer or manually programmable with users rights stored on the lock. The Handheld Device (HHD) used in conjunction with your access control software, allows you to easily add or delete users and retrieve audits.

By issuing electronic credentials you can minimize the number of mechanical keys issued which protects the integrity of your key system. A variety of credential readers are also available including keypad only, magnetic stripe, and proximity. The magnetic stripe and proximity readers are also available with keypad for the added security of dual authentication.

Cylindrical, mortise, mortise deadbolt, and exit trim chassis options are available as well as a wide variety of finishes and levers to suite with your existing hardware.

Mechanical key override is standard and compatible with multiple cylinder types. The CO Series is also compatible with many popular brands and types of exit devices.

The CO Series has been tested the highest standards in the industry to ensure quality and reliability you have come to expect from Schlage. The CO Series is ANSI/BHMA A156.25, ANSI/BHMA Grade 1 certified and UL 294 Listed.

Features and benefits

- Computer programmable with audit trail
- Up to 2000 users and up to 2000 audits¹
- Up to 32 holidays and 16 time zones¹
- ANSI/BHMA A156.25, ANSI/BHMA Grade 1 certified, UL 294 listed, FL12400², FL1591², FL13013² and FL14482B²
- User rights stored on the lock
- The ability to add and delete users at the lock
- Available in cylindrical, mortise, mortise deadbolt, and exit trim
- Compatible with major brands of key systems and exit devices
- Classroom/storeroom, office, and privacy functions available
- LED indicator visually communicates lock status

¹ Depending on access control software.

² Applies to cylindrical and mortise chassis only

CO-200 electronic lock specifications

Users	Up to 2,000 ¹
Audits	Up to 2,000 ¹
Credential verification time	≤ 1 second
Visual/audible communications	Tri-colored LED's and audible indicators
Power supply	4 AA batteries (standard off the shelf: included)
Voltage range	4 VDC to 7 VDC
Max current requirement	Up to 250 mA
Battery life	Up to 2 yrs with 4AA batteries
Operating temperature - exterior	-31° to 151°F (-35° to 66°C)
Operating temperature - interior	32° to 120°F (0° to 49°C) due to batteries
Operating humidity	0 - 100% non-condensing
Certifications	ANSI/BHMA A156.25, ANSI/BHMA Grade 1, UL 294, UL 10C, UL Canada, FCC Part 15, ADA and RoHS

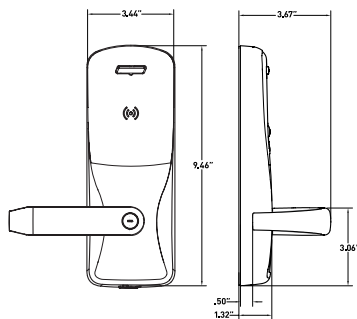
Functions

- Classroom/storeroom²
- Office²
- Privacy³

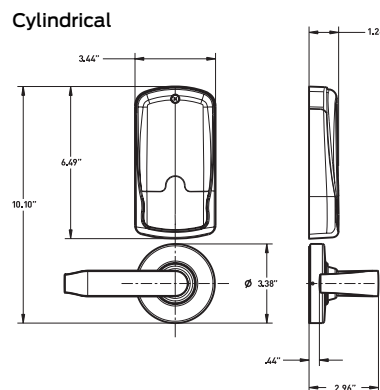
Standard status signals

- Mechanical key override
- Battery status - indicated by blinking lights
- Access granted/access denied
- Programming commands

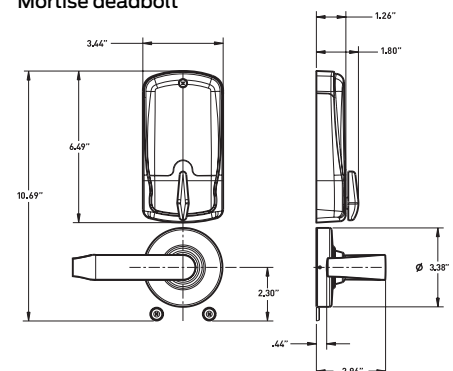
Exterior of the lock



Interior of the lock



Mortise deadbolt



Schlage Utility Software on Handheld Device

The Schlage Utility Software (SUS) on the Handheld Device (HHD) provides an easy way to manage people, audits and locks for simple access control management.

Schlage Utility Software

- Initialize lock and accessories
- Field configure devices
 - Credential reader formats
 - Lock function
 - Unlock period
 - Failure mode
 - Audible alarm on/off
- Service and diagnostics
 - Battery status
 - Validate hardware and software revision
 - Troubleshooting status signals
- New device template simplifies configuration

HHD

- 3.5 inch display
- Touch screen/keypad backlit
- 32-bit processor
- OS: Windows Mobile 6.5
- Memory: 128 MB RAM/ 256 MB ROM
- Battery: rechargeable Li-ion
- Dimensions: 5.1" x 2.8" x 0.65" (13.0 cm x 7.2 cm x 1.7 cm)
- Weight: 0.42 lbs (190 g)
- 5 ft (1.2 m) drop to steel surface, 2 drops per 6 sides



The HHD connects with AD Series and CO Series locks and accessories via the USB interface

For replacement HHD devices with a serial cable connection, please contact Technical Support at 877.671.7011.

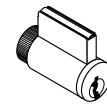
¹ Depending on access control software.

² Classroom/storeroom and office function not available with mortise deadbolt option. To ensure safety, all functions always allow for free egress.

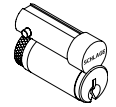
³ Door position switch is required for cylindrical and mortise chassis with privacy function.

Mechanical specifications

Chassis	Cylindrical	Mortise	Exit trim
Handing	Handed to order, field reversible		
ANSI standard (Meets or exceeds)	A156.25 A156.2 Series 4000 Grade 1	A156.25 A156.13 Series 1000 Grade 1	A156.25 A156.3
Door thickness	1 3/4" standard, 1 3/8" to 2 3/4" optional (available in 1/8" increments)		
Backset	Standard: 2 3/4" Optional: 2 3/8", 3 3/4", 5"	2 3/4" only	Defined by exit device
Latch bolt	Standard: 1/2" throw Optional: 3/4" throw	Standard: 3/4" throw Optional: 1" throw on mortise deadbolt	Provided by exit device
Levers	For lever base metals see lever and cylinder compatibility data sheet (010432)		
Strike	Standard: 1 3/16" lip, ANSI, 1 1/4" x 4 7/8" Optional: Additional configurations available please see price book		Provided by exit device
Cylinder and keys	Schlage 6-pin Everest 29 S123 keyway cylinder with two patented keys standard Additional options available including Standard, SFIC, FSIC and competitor brands. See lever and cylinder compatibility data sheet (010432)		
Exit device compatibility	See CO Series exit trim compatibility data sheet (004183)		



Full cylinder



Full Size Interchangeable Core



Small Format Interchangeable Core

The combo proximity keyfobs with iButton® option are available which allows you to manage proximity and iButton® technologies in the same facility.



Reader specifications

	Keypad	Magnetic stripe	Proximity
Frequency standards	N/A	ABA, ISO76XX standard high and low coercivity	125 kHz
Maximum read range	N/A	N/A (swipe card)	up to 1.25"
Compatibility	3-6 digit pin code	Triple track reader (1, 2 or 3), field configurable	Schlage, XceedID® HID®, GE/CASI ProxLite™ and AWID®
Compatible XceedID/Schlage credentials	N/A	Configurable to read complete track 1, 2 or 3	125 kHz clamshell, ISO card, ISO card with magnetic stripe, keyfob, and PVC disk (7000 Series)
Style/layout	12-button, 3x4 matrix	Option for 12-button, 3x4 matrix	Option for 12-button, 3x4 matrix

Available
CO-200
reader
options



Keypad



Proximity
KEYPAD



Proximity



Magnetic stripe



Magnetic stripe
KEYPAD

Ordering information

Available through one of our GSA schedule 84 approved distributions

Required fields						Factory defaults and options						
CO-200-CY-70-PR-SPA-626-PD-S123-RH-13-049-10-025-1 3/4												
Series	Class	Chassis	Function	Reader	Lever style	Finish	Lever cylinder	Keying type	Handing	Backset and latch	Strike	Door thickness
1	2	3	4	5	6	7	8	9	10	11	12	13

Selections correspond with the numbers above

Standard options are indicated in bold. See price book for specific configuration options.

3	Chassis
CY	Cylindrical
MS	Mortise
MD	Mortise deadbolt
993R	Exit trim – Rim/CVC/CVR
993S	Exit trim – SVR
993M	Exit trim – mortise
993DT	Exit dummy trim
4	Function
70	Classroom/storeroom
50	Office
40	Privacy
5	Reader
KP	Keypad
MS	Magnetic stripe
MSK	Magnetic stripe + keypad
PR	Proximity
PRK	Proximity + keypad
6	Lever
SPA	Sparta
RHO	Rhodes
ATH	Athens
TLR	Tubular

Available with knurled surface

7	Finish
626	Satin chrome
605	Bright brass
606	Satin brass
612	Satin bronze
619	Satin nickel
625	Bright chrome
643e	Aged bronze
626AM	Satin chrome antimicrobial
8	Lever cylinder type
PD	Schlage 6-pin full cylinder
See price book for other SFIC, FSIC and less cores options available. Compatible with Schlage, Sargent, Corbin, Medeco and Yale.	
9	Keyway type
S123	Everest 29
See price book for other available keyway options including master keying	
10	Handing
RH	Right handed
RHR	Right handed reverse
LH	Left handed
LHR	Left handed reverse

Field reversible

11	Backset and latch or armor front
Cylindrical	
13-049	2 3/4" backset, deadlatch, square corner, 1 1/8" x 2 1/4"
Mortise	
09-663	Armor front, 1 1/4" wide, square corner
See price book for mortise deadbolt and other backset and latch options or armor front options	
12	Strike
Cylindrical	
10-025	1 3/16" lip, ANSI, no box, 1 1/4" x 4 7/8"
Mortise	
10-072	1 3/16" lip, 1 1/4" x 4 7/8" square corner, box
See price book for other available strikes	
13	Door thickness
1 3/4"	
Other thicknesses available between 1 3/8" and 2 3/4"	
See price book for detail	

Lever styles

Standard cylinders shown, SFIC and FSIC also available.



Sparta

Rhodes

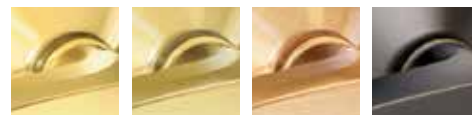


Athens

Tubular

Finishes

Warm tone finishes



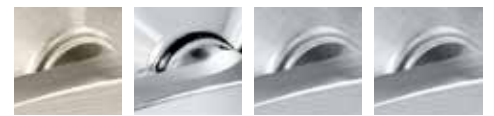
605
Bright brass

606
Satin brass

612
Satin bronze

643e
Aged bronze

Cool tone finishes



619
Satin nickel

625
Bright chrome

626
Satin chrome

626AM
Satin chrome with antimicrobial

Allegion, the Allegion logo, Schlage, the Schlage logo, XceedID and Falcon are trademarks of Allegion plc, its subsidiaries and/or affiliates in the United States and other countries. All other trademarks are the property of their respective owners.

About Allegion

Allegion (NYSE: ALLE) is a global pioneer in safety and security, with leading brands like CISA®, Interflex®, LCN®, Schlage®, SimonsVoss® and Von Duprin®. Focusing on security around the door and adjacent areas, Allegion produces a range of solutions for homes, businesses, schools and other institutions. Allegion is a \$2 billion company, with products sold in almost 130 countries. For more, visit www.allegion.com.

aptiQ ■ LCN ■ SCHLAGE ■ STEELCRAFT ■ VON DUPRIN



ALLEGION™

© 2017 Allegion
004185, Rev. 03/17
www.allegion.com/us