

**SCHLAGE**

## Barcelona handleset

J-Series, Grade 3

### Features

- Grade 3 Standard Residential Security Rating
- Limited lifetime mechanical and limited 5 year finish warranty
- Easy to install

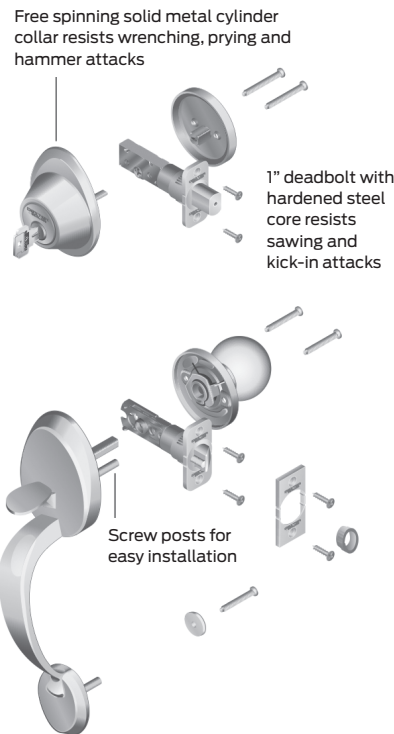
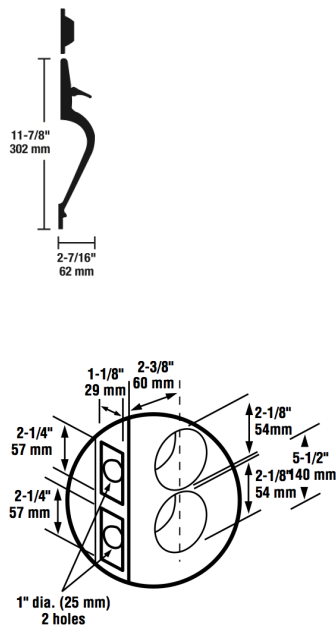
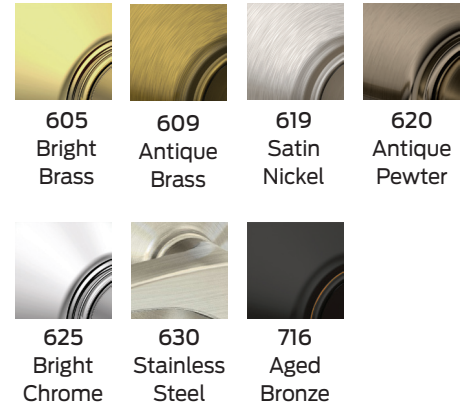


Satin Nickel  
Handleset

## JH-Series grip handleset specifications

Certification	ANSI/BHMA Grade 3 deadbolt; UL Listed for 3-hour fire door available
Finish Warranty	Limited 5 year finish warranty
Mechanical Warranty	Limited lifetime mechanical warranty
Throw Size	Deadbolt throw 1", handle throw 1/2"
Cylinder	5-pin tumbler, C Keyway
Door Thickness	1-3/8" to 1-3/4"
Cross Bore	Deadbolt is 2-1/8" or 1-1/2", Grip is 2-1/8"
Edge Bore	1"
Latch/Backset	Adjustable to 2-3/8" or 2-3/4"
Latch Faceplate Size	1" x 2-1/4"
Latch Faceplate Options	Round corner or square corner
Keys	2 per lock
Door Handling	Specify LH or RH for all lever trim
Strikes	Deadbolt Strike 1" x 2-1/4" full lip Handle Strike 1-5/8" x 2-1/4" full lip
Strike Options	Specify round corner or radius corner
Functions	Single-Cylinder Deadbolt Lock, Double-Cylinder Deadbolt Lock, Dummy

## Finish Options



Visit [Schlage.com](http://Schlage.com) to learn more.

### About Allegion™

Allegion (NYSE: ALLE) creates peace of mind by pioneering safety and security. As a \$2 billion provider of security solutions for homes and businesses, Allegion employs more than 8,000 people and sells products in more than 120 countries across the world. Allegion comprises more than 25 global brands, including strategic brands CISA®, Interflex®, LCN®, Schlage® and Von Duprin®. For more, visit [www.allegion.com](http://www.allegion.com)

aptiQ ■ LCN ■ **SCHLAGE** ■ STEELCRAFT ■ VON DUPRIN



© 2014 Allegion  
MR-2072-BAR, Rev. 10/14  
[allegion.com](http://allegion.com)