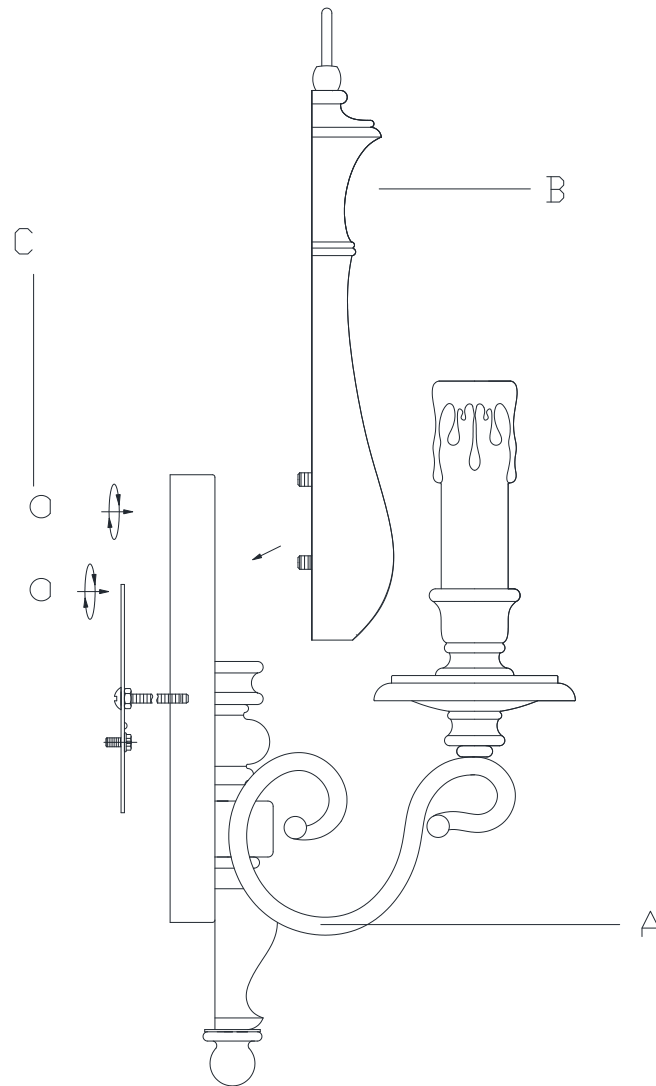




## ASSEMBLY INSTRUCTIONS ITEM NO.: 9-7404-2-39



B → A → C

1. Carefully unpack and identify all parts referring to the illustration for parts identification.
2. Turn power to the installation point **OFF**.
3. Insert the two studs in the column (M) into the two holes in the back plate of fixture body (A) and secure with ball nut (C) as show in the illustration.
4. Referring to the installation instruction with the product for the wiring and installation.
5. Install proper bulbs (not provided) to sockets referring to the markings and/or labels on the fixture for maximum wattage.
6. Restore power to the installation point **ON**. Retain this sheet for future reference.