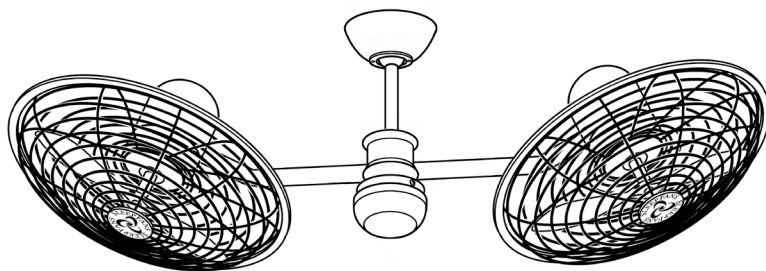




OWNER'S MANUAL

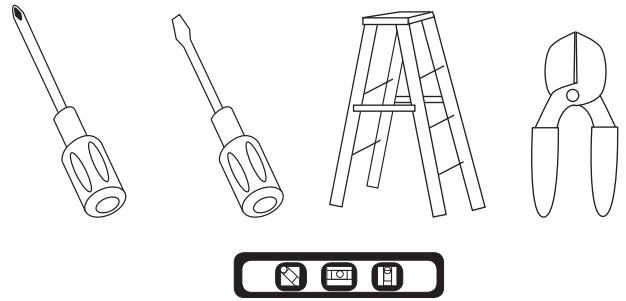
READ AND SAVE THESE INSTRUCTIONS



Circulaire
CEILING FAN

1. TOOLS AND MATERIALS REQUIRED

- Philips screw driver
- Blade screw driver
- Step Ladder
- Wire Cutters
- Carpenter's Level



2. PACKAGE CONTENTS

The following items should be contain within the package;

Hanger Bracket Assembly

Downrod

Fan Head Assembly

Light Kit

Package Hardware:

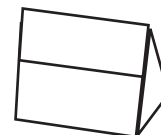
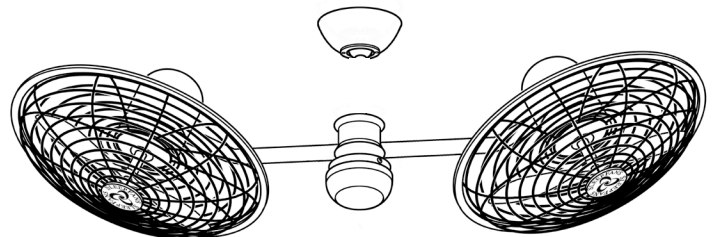
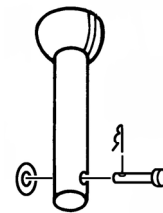
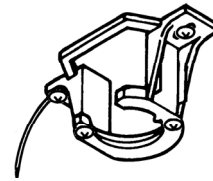
Screws

Washers

Spring Washers

Tooth Washers

Wire Nuts



3. SAFETY RULES

1. To reduce the risk of electrical shock, insure electricity has been turned off at the circuit breaker or fuse box before beginning.
2. All wiring must be in accordance with the National Electrical Code and local electrical codes. Electrical installation should be performed by a qualified licensed electrician.
3. **WARNING:** To reduce the risk of electrical shock and fire, do not use this fan with any solid-state fan speed control device.
4. **WARNING:** To reduce the risk of personal injury, use only the two steel screws (and lock washers) provided with the outlet box for mounting to the outlet box. Most outlet boxes commonly used for the support of lighting fixtures are not acceptable for fan support and may need to be replaced, consult a qualified electrician if in doubt.
5. The outlet box and support structure must be securely mounted and capable of reliably supporting a minimum of 50 pounds. Use only CUL Listed outlet boxes marked "**FOR FAN SUPPORT**".
6. The fan must be mounted with a minimum of 6 feet clearance.
7. Do not adjust fan heads while fan blades are in motion. Fan must be turned off and blades stopped before adjusting fan heads or reversing direction.
8. Avoid placing objects in the path of the fan heads.
9. To avoid personal injury or damage to the fan and other items, be cautious when working around or cleaning the fan.
10. Do not use water or detergents when cleaning the fan or fan blades. A dry dust cloth or lightly dampened cloth will be suitable for most cleaning.
11. After making electrical connections, spliced conductors should be turned upward and pushed carefully up into the outlet box. The wires should be spread apart with the grounded conductor and the equipment-grounding conductor on one side of the outlet box.
12. Electrical diagrams are reference only. Light kit that are not packed with the fan must be CUL Listed and marked suitable for use with the model fan being installed. Switches must be CUL General Use Switches. Refer to the Instructions packaged with the light kits and switches for proper assembly.

WARNING

TO REDUCE THE RISK OF FIRE,
ELECTRICAL SHOCK OR PERSONAL INJURY,
MOUNT FAN TO OUTLET BOX MARKET
"**ACCEPTABLE FOR FAN SUPPORT**".

WARNING

TO REDUCE THE RISK OF PERSONAL
INJURY, DO NOT INSERT OBJECTS IN THE
PATH OF THE BLADES.

NOTE: *The important safety precautions and instructions appearing in the manual are not meant to cover all possible conditions and situations that may occur. It must be understood that common sense and caution are necessary factors in the installation and operation of this fan.*

4. MOUNTING OPTIONS

If there isn't an existing CUL listed mounting box, then read the following instructions. Disconnect the power by removing fuses or turning off circuit breakers.

Secure the outlet box directly to the building structure. Use appropriate fasteners and building materials. The outlet box and its support must be able to fully support the moving weight of the fan (at least 50 lbs.). Do not use plastic outlet boxes.

Figures 4.1, 4.2 and 4.3 are examples of different ways to mount the outlet box.

NOTE: A longer downrod maybe need to maintain proper clearance when installing on a steep, sloped ceiling. (Fig. 4.3)

To hang a fan where there is an existing fixture, but no ceiling joist, an installation hanger bar should be used as shown in Figure 4.4.

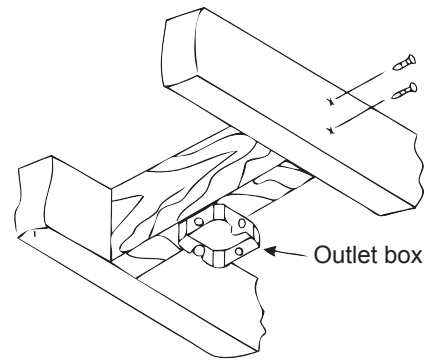


Figure 4.1

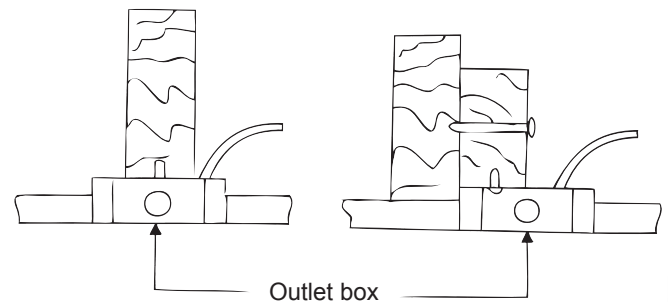


Figure 4.2

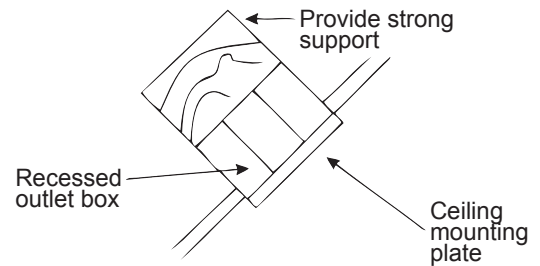


Figure 4.3

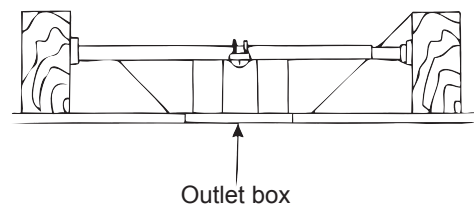


Figure 4.4

5. HANGING THE FAN

Remember to turn off the power. Follow the steps below to properly hang the fan.

Step 1. Pass the 120-volt supply wires through the center hole in the Hanger Bracket and secure the Hanger Bracket to the CUL Listed Electrical Box with the screw and washers provided. Tighten the mounting screws securely. (Fig. 5.1)

Step 2. Connect the Receiving Unit to the black and white 120-volt supply wires. (Fig. 5.2)

Step 3. Prepare the fan to be hung. Locate the Ball/Downrod. Remove the Lock pin (1) and Washer, then slide the Hanger pin (2) out. (Fig. 5.3)

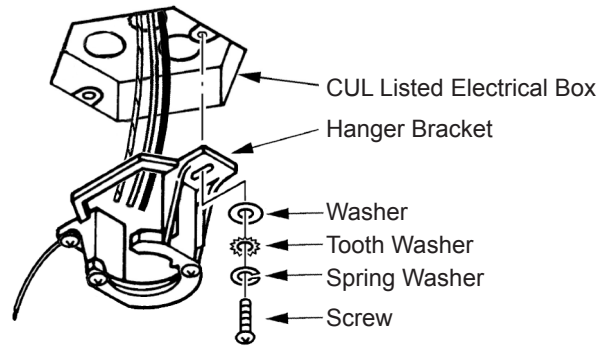


Figure 5.1

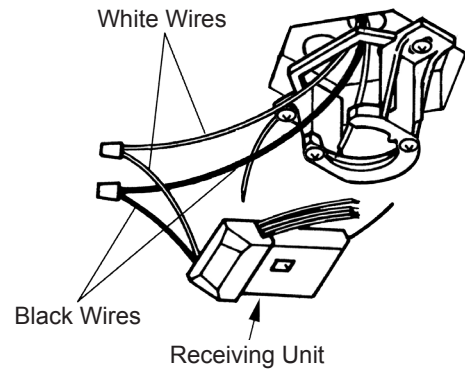


Figure 5.2

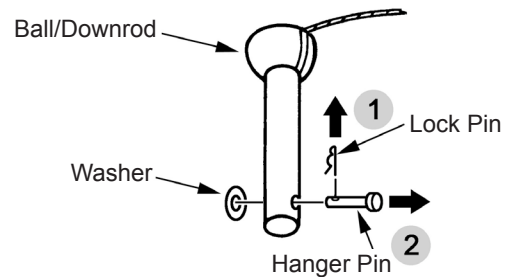


Figure 5.3

Step 4. Route wires exiting the top of the Collar through the Decorative Housing, the Canopy and the Ball/Downrod. Align the holes at the bottom of the Downrod with the holes in the Collar. Carefully insert the Hanger Pin through the holes in the Collar and the Downrod. Be careful not to jam the pin against the wiring inside the Downrod. Slide the Washer over the end of the Hanger Pin. Next, insert the Lock Pin through the hole near the end of the Hanger Pin until it snaps into its locked position. Tighten the set screw and slide the Decorative Housing into place. (Fig. 5.4)

Step 5. Place the Downrod Ball into the Hanger Bracket socket. Align the Downrod Ball Registration Slot with the ridge inside the Bracket socket to secure the ball. (Fig. 5.5)

Step 6. An additional safety support is provided to prevent the fan from falling. Secure the Safety Cable to the ceiling joist with screw and washers. (Fig. 5.6)

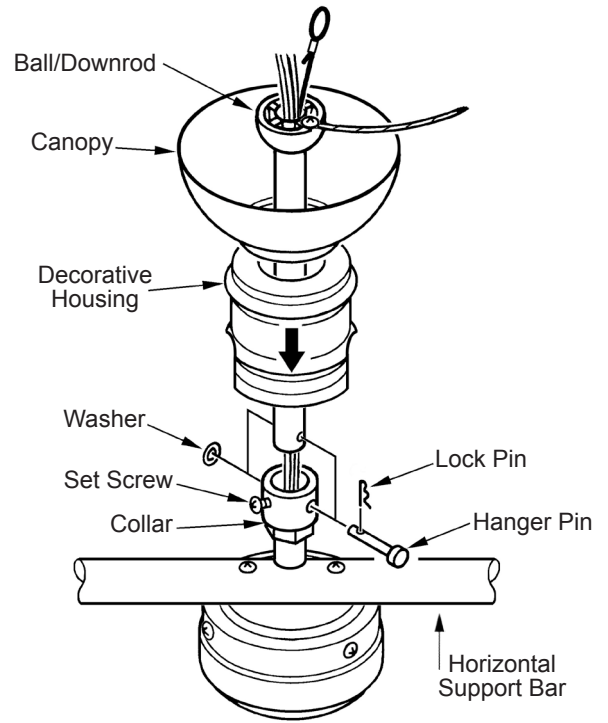


Figure 5.4



Figure 5.5

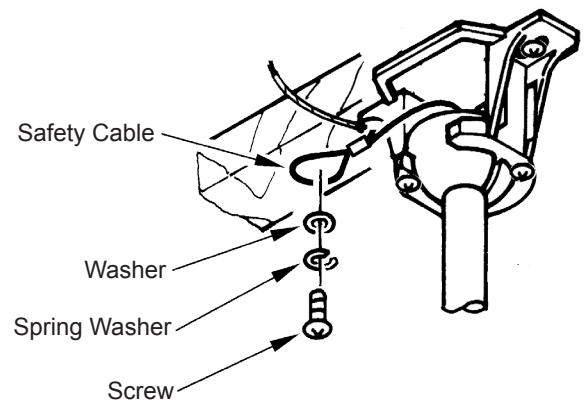


Figure 5.6

Step 7. Securely connect each of the Receiver Unit wires to its corresponding color wire exposed from the top of the Downrod Ball with a connecting wire nut. Also, connect all Ground wires (green) with the main Ground wire from the Electrical Box. (Fig. 5.7)

Step 8. Carefully turn the connecting nuts upward and push the wiring into the electrical outlet box. There should be space to allow the Receiver Unit to slide in above the Downrod Ball. (Fig. 5.8)

Step 9. Loosen the left Canopy Screw and remove the right Canopy Screw on the bottom of the Hanger Bracket. (Fig. 5.9)

Step 10. Slide the Canopy over the Hanger Bracket and align the larger screw hole over the left Canopy Screw. Give the Canopy a slight twist to the left, which should align the right Canopy Screw hole. Insert and secure the right Canopy Screw, then secure the left Canopy Screw. (Fig. 5.10)

Use a level to test that the Horizontal Support Bar is hanging parallel to the floor. Rotate the fan slowly one full revolution. If the fan is not hanging parallel, the level will confirm it. Recheck the Electrical Box, Hanger Bracket and/or Ball/Downrod. Caution: Do not operate fan if the level shows the Horizontal Support Bar is not hanging parallel to the floor.

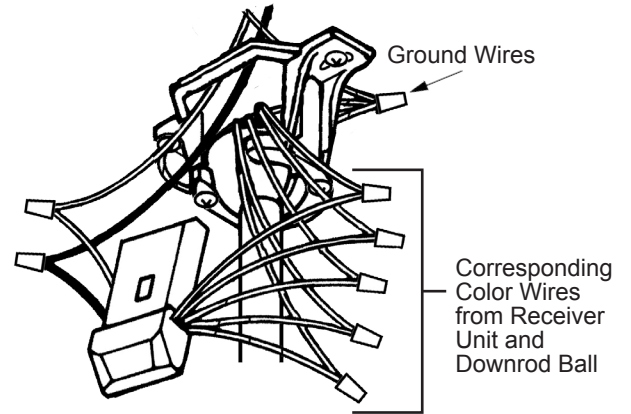


Figure 5.7

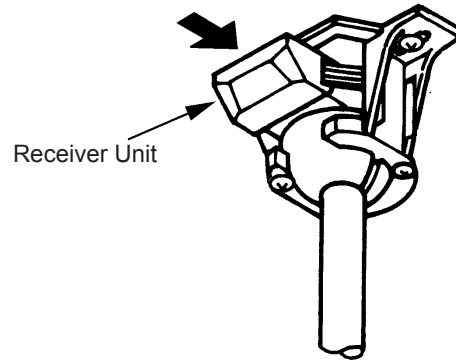


Figure 5.8

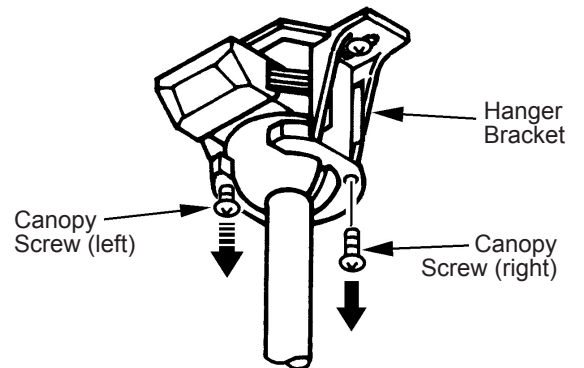


Figure 5.9

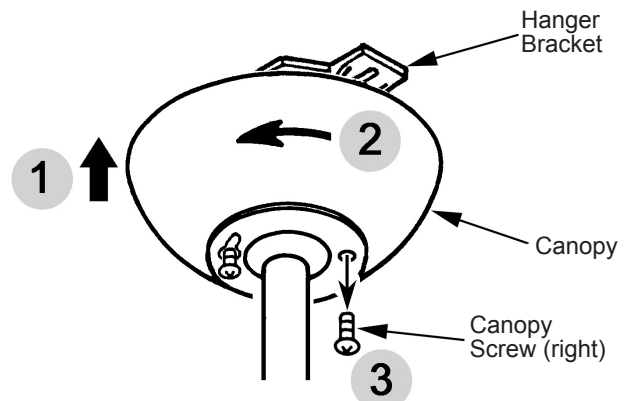


Figure 5.10

6. INSTALLING THE LIGHT KIT

Remember to turn off the power. Follow the steps below to properly install the light.

Step 1. Remove the three Screws that hold the Decorative Center Hub in place.

Step 2. Plug the Upper Housing Electrical Connectors into the Light Housing Electrical Connectors.

Step 3. Slide the Light Housing into the Upper Housing and align the screw holes. Reinstall the three Screws in the Upper Housing to secure the Light Housing. Next, Install the Bulb in the Socket, using a clockwise rotation.

NOTE: DO NOT TOUCH the halogen bulb with bare fingers!. Oils on your skin will shorten the life of the bulb. Use a tissue to remove the bulb from the packaging and when installing the bulb into the light fixture.

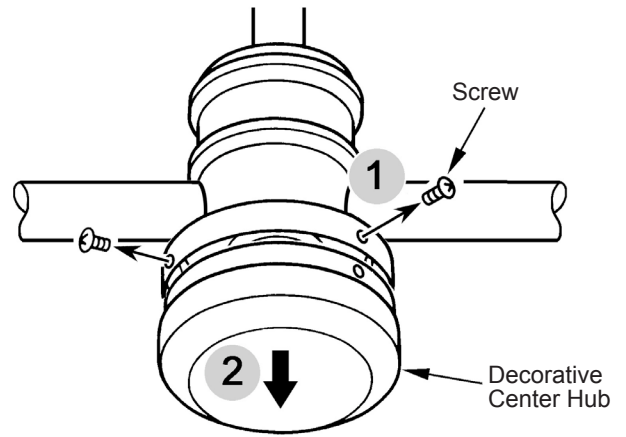


Figure 6.1

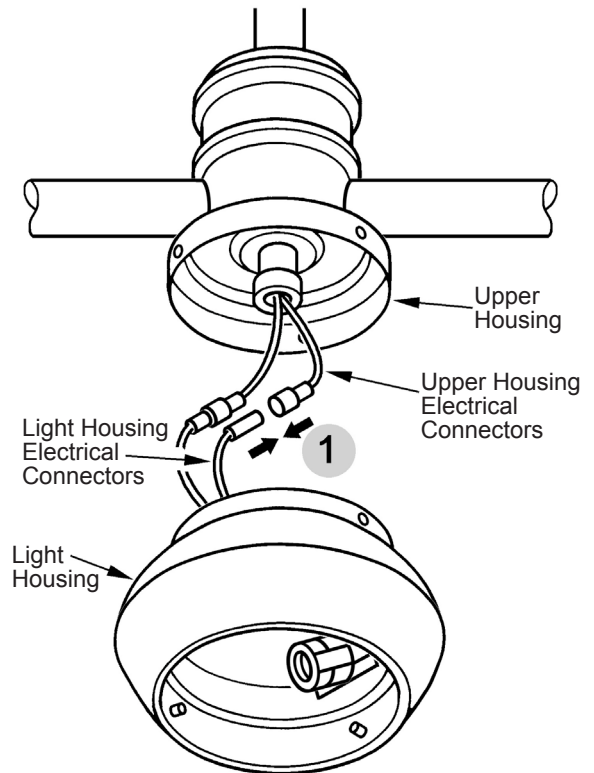


Figure 6.2

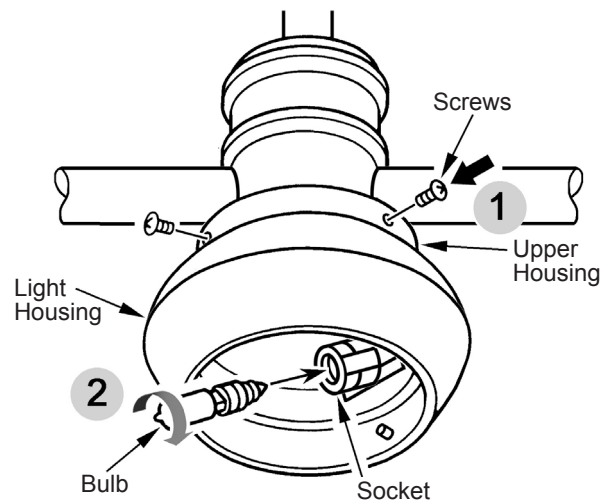


Figure 6.3

Step 4. Align the channels on the Light Cover to align with the Pins inside the Light Housing and slide the cover in. Carefully twist the Light Cover clockwise to secure it in place. The Light Cover should fit snug against the Light Housing. (Fig. 6.4)

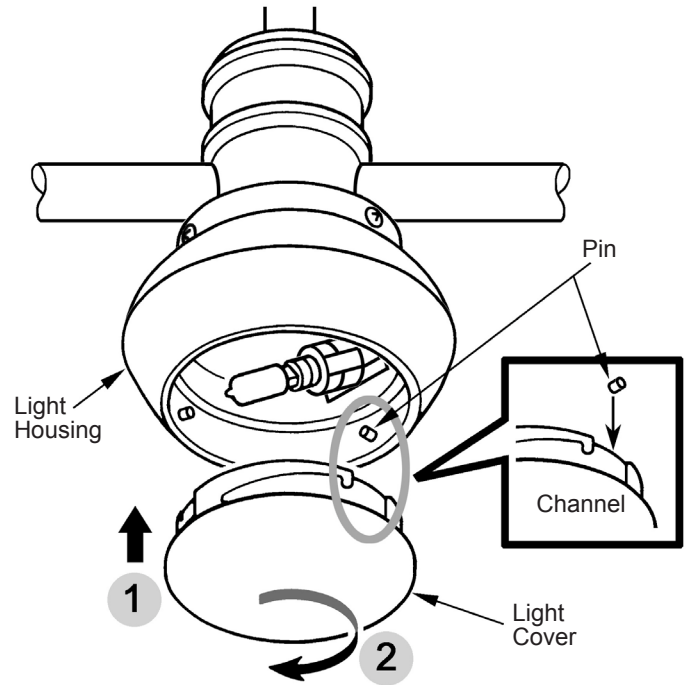


Figure 6.4

7. ADJUSTING SPREAD AND ROTATION SPEED

Remember to turn off the power when adjusting the Spread and Rotation Speed.

Fan Heads adjust individually.

SPREAD

Adjusting the Fan Head angle up expands the spread of the air movement in the space. Adjusting the Fan Head angle down contains the air movement.

To adjust the angle, grasp the Fan Head and slightly loosen the Tilt Adjustment Knob. Tilt the Fan Head to the desired position. Hold the position while re-tightening the Tilt Adjustment Knob. (Fig.7.1)

ROTATION SPEED

To reduce the risk of injury to persons or possible damage to fan, DO NOT over adjust the fan to spin at an unreasonable rate.

Only one Fan Head need be adjusted to create rotation.

The greater the angle (left or right) of the Fan Head to the horizontal support rod, the faster the speed of rotation. The less the angle of the Fan Head, the slower the speed of rotation.

To adjust the rotation speed, loosen the Friction Knob and turn the Fan Head to the desired angle, left or right. Re-tighten the Friction Knob. (Fig. 7.2)

In addition, the rotation of the fan can be sped up or slowed down by increasing or decreasing the motor speed of the fan.

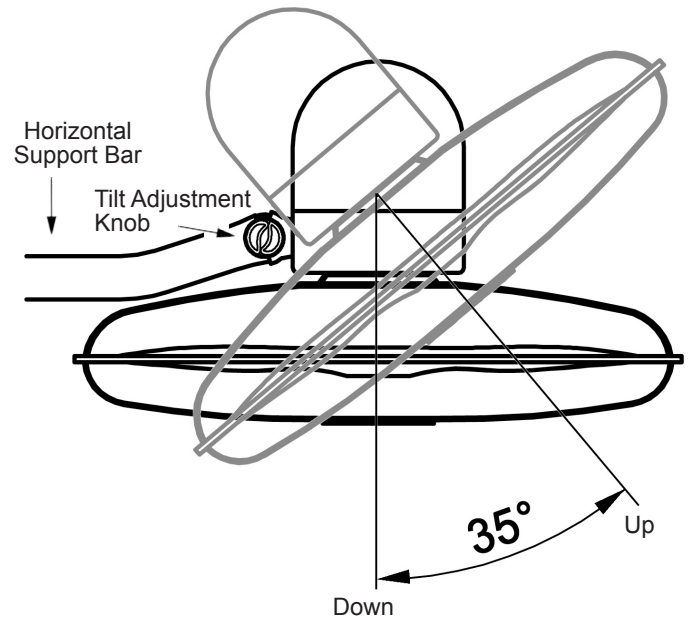


Figure 7.1

Left / Right

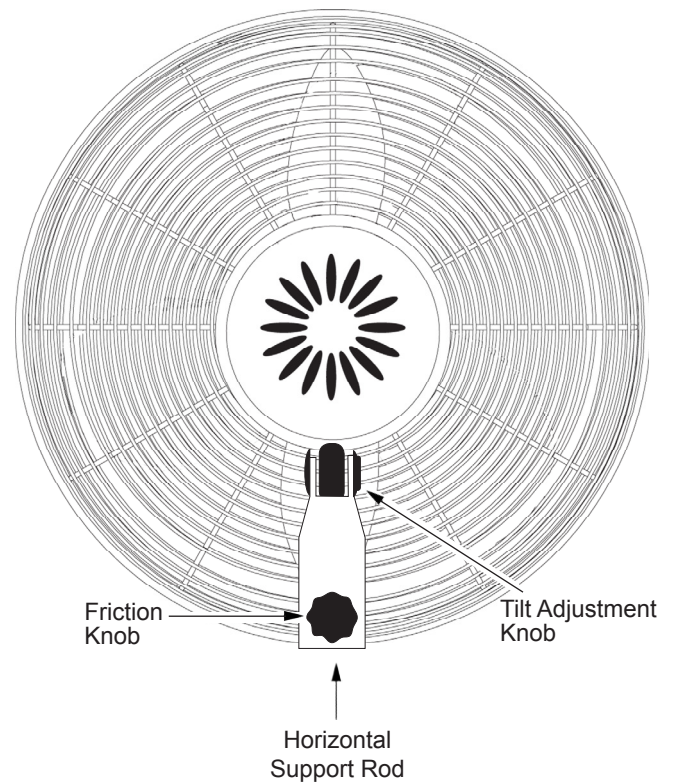
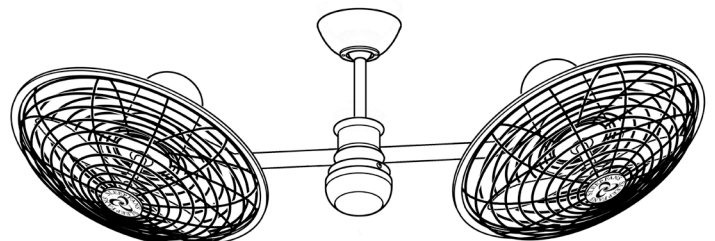


Figure 7.2



CLEANING

- Remember to turn off the power when cleaning the fan.
- Clean the Motor Housings, Decorative Housing and Horizontal Support Bar using a clean, soft cloth, slightly dampened, if necessary.
- DO NOT allow water to drip on or into the fan motor housings.
- NEVER use abrasive cleaning agents or solvents. This may cause damage or deterioration to the surface of the unit.

To Clean the Grills and Blades

- Remove the small Safety Screws and Nuts at the bottom of the grills.
- Unlock the metal clips around the fan grills and remove the front grills by lifting slightly to detach the top alignment tab from the back grills.
- The fan blades and grills may be cleaned with a soft cloth, slightly dampened, if necessary. A small, soft, clean brush, (a small paintbrush will do), may also be used to remove dust in hard-to-reach places.
- NEVER use abrasive cleaning agents or solvents on the blades or grills. This may cause damage or deterioration to the surfaces.
- Reattach the front grills to the fans after all parts have dried completely. To do so, secure the top alignment tabs to the back grills. Align the front grills against the rear grills and snap the grill clips closed.
- Reinsert the small Safety Screws at the bottom of the grills and secure in place with Nuts.
- DO NOT turn the fan on until it is fully reassembled.

SLEEPF&NS™

Exclusively Distributed by



IMPORTANT: READ AND SAVE THESE INSTRUCTIONS